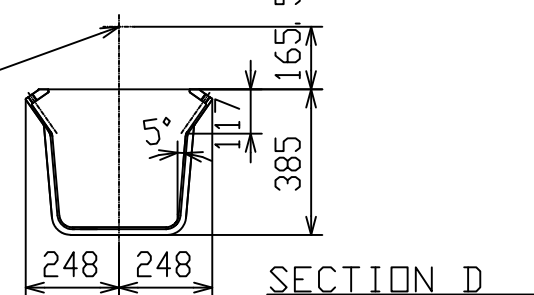
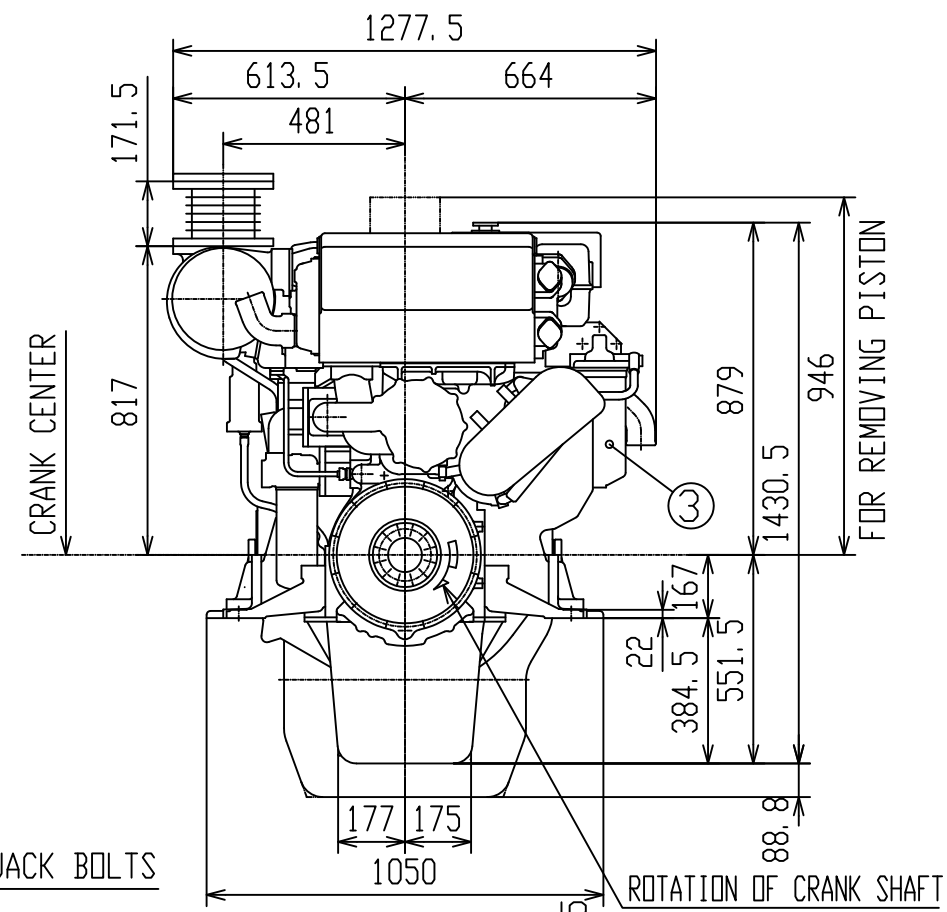
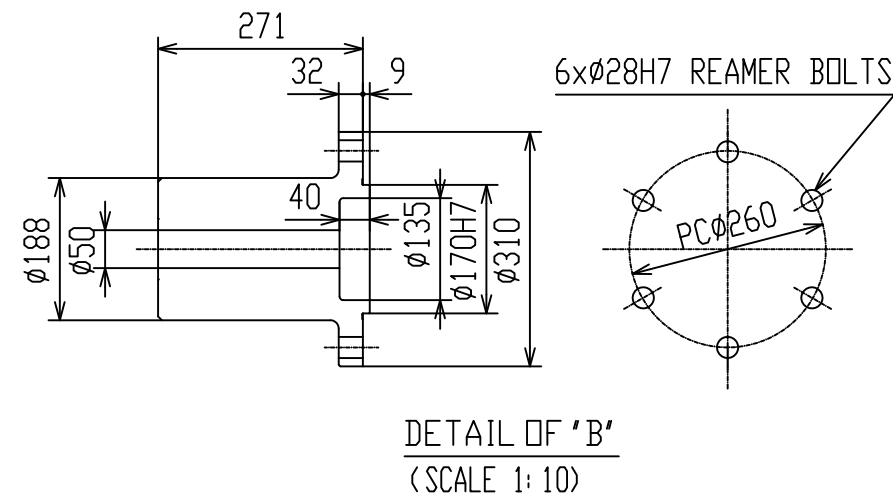
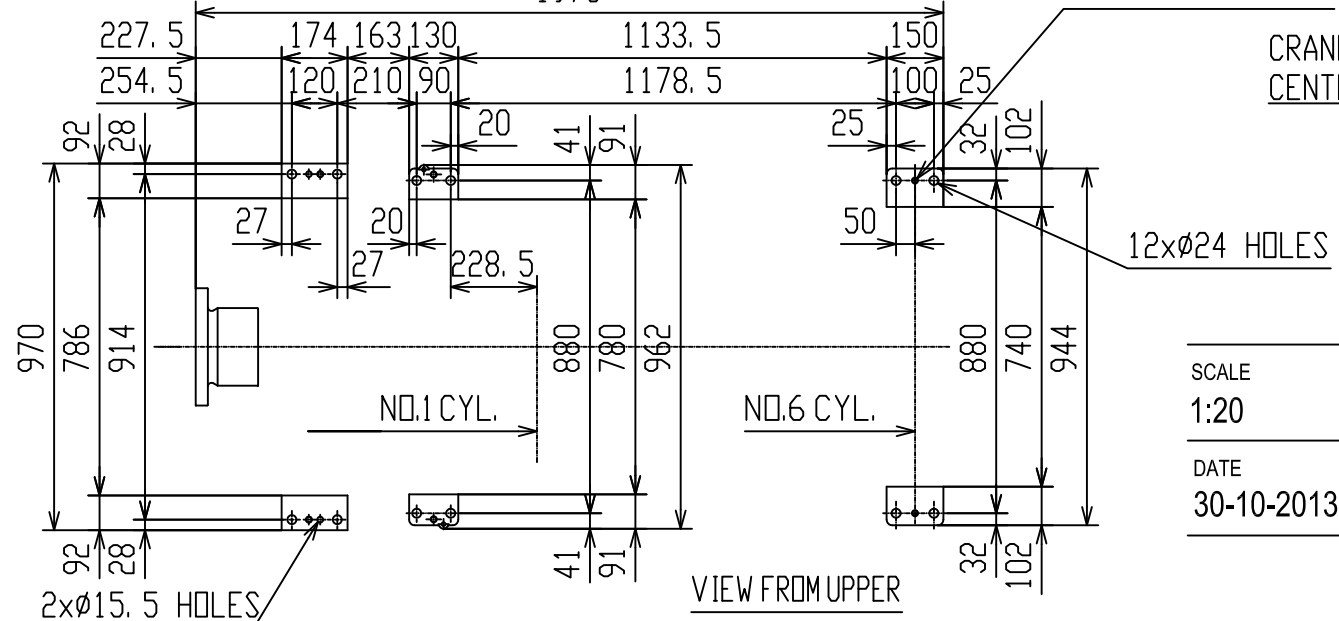
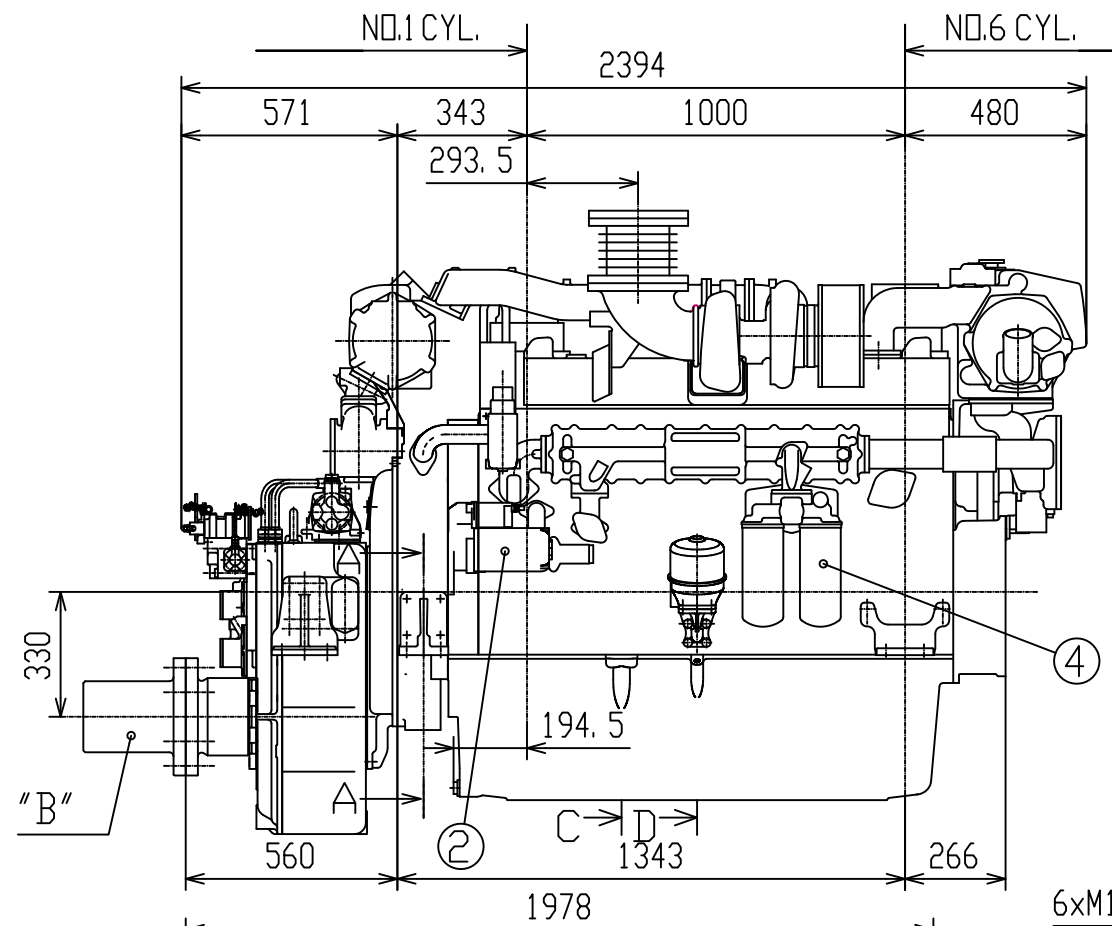
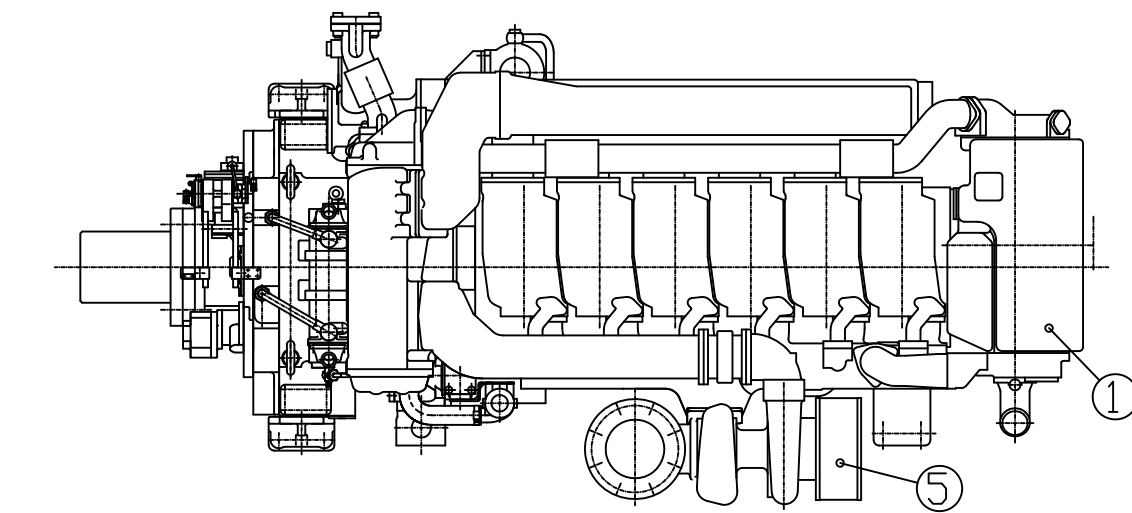
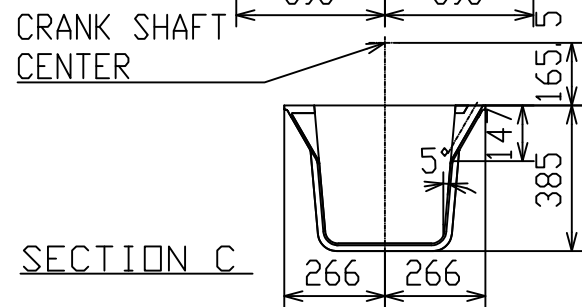
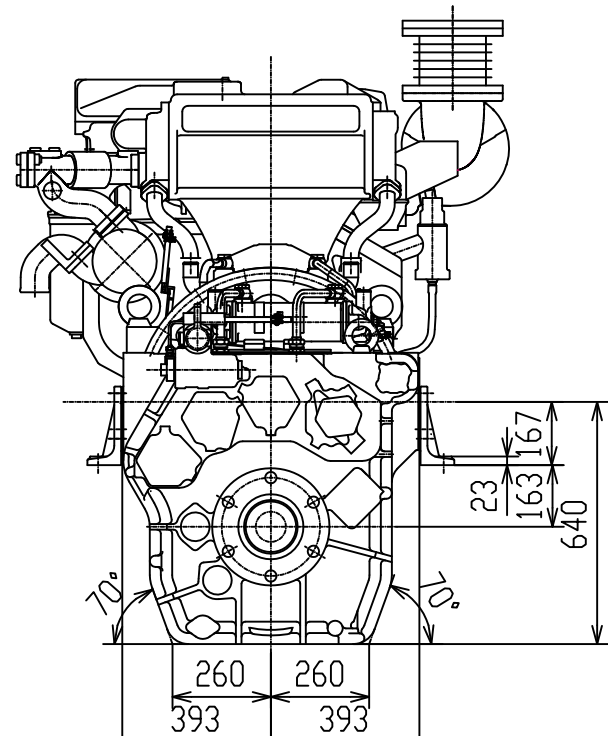
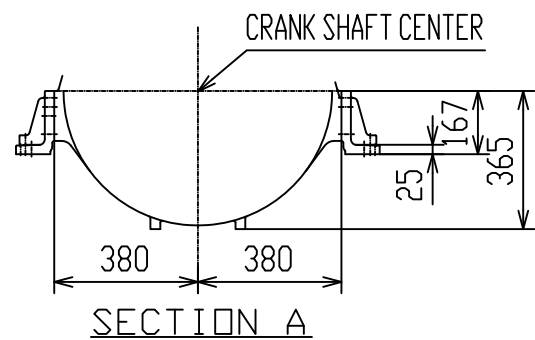


No.	N A M E
1	FRESH WATER TANK
2	STARTING MOTOR
3	FUEL OIL FILTER
4	LUB. OIL FILTER
5	AIR FILTER FOR TURBO.



ENG. MODEL	CLUTCH MODEL
6AYM-WST	YX-180L
TOTAL MASS(abt.)	3045kg

SCALE	NAME	MODEL
1:20	OUTLINE	6AYM-WSTxYX-180L
DATE	ORIGINAL DRAWING NUMBER	REVISION
30-10-2013	B3-48660-4500	0

**YANMAR**  
Copyright(C) YANMAR CO.,LTD. All right reserved.