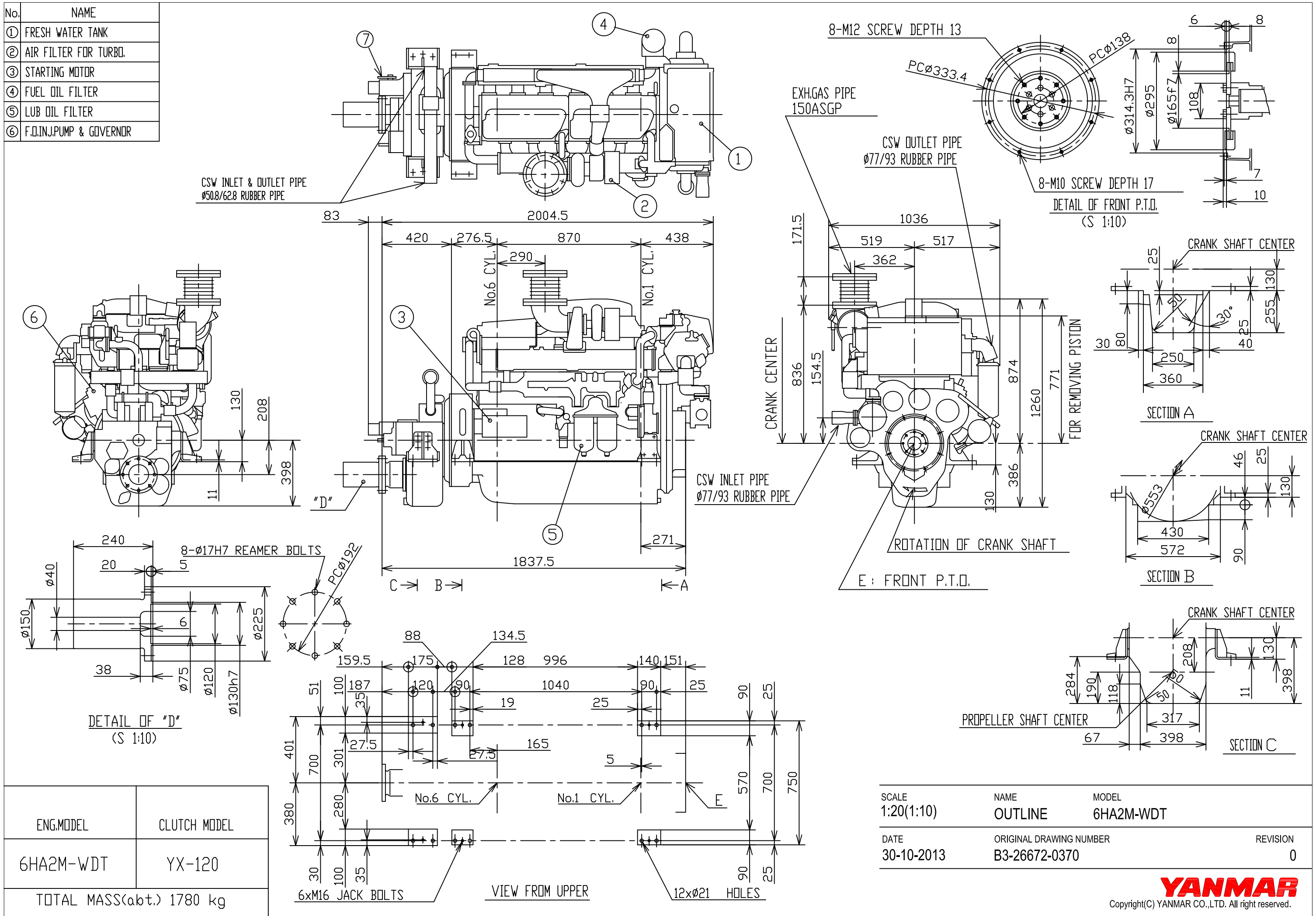


No.	NAME
①	FRESH WATER TANK
②	AIR FILTER FOR TURBO.
③	STARTING MOTOR
④	FUEL OIL FILTER
⑤	LUB OIL FILTER
⑥	F.O.INJ.PUMP & GOVERNOR



ENG.MODEL	CLUTCH MODEL
6HA2M-WDT	YX-120
TOTAL MASS(abt.) 1780 kg	

SCALE 1:20(1:10)	NAME OUTLINE	MODEL 6HA2M-WDT
DATE 30-10-2013	ORIGINAL DRAWING NUMBER B3-26672-0370	REVISION 0

**YANMAR**  
Copyright(C) YANMAR CO.,LTD. All right reserved.