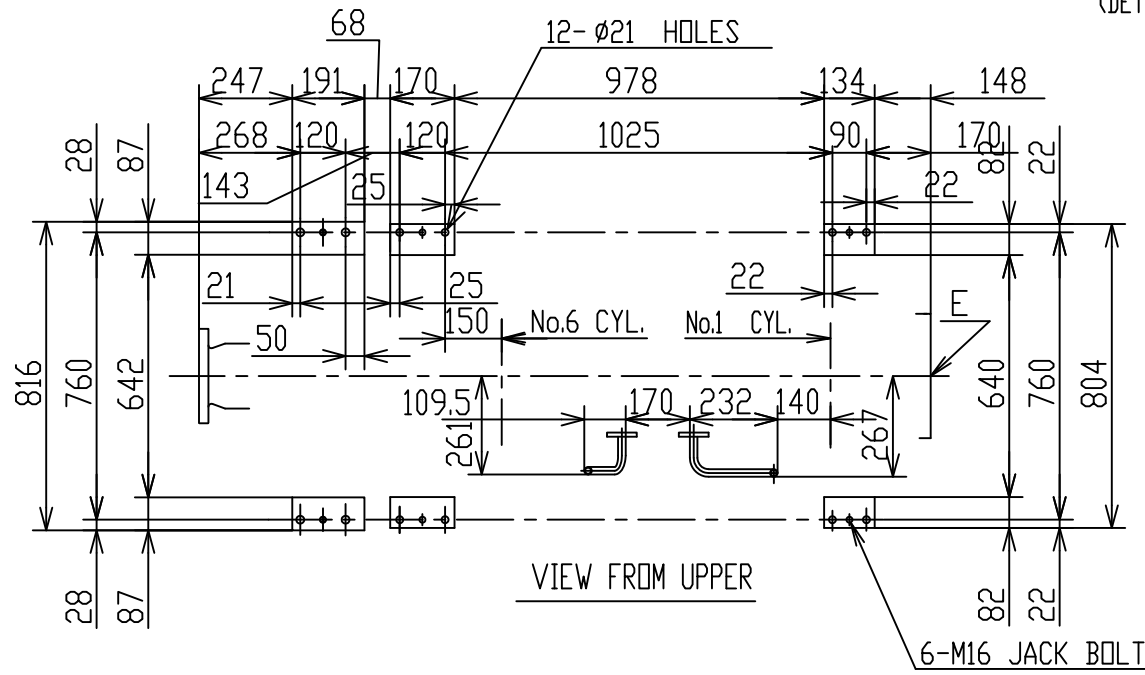
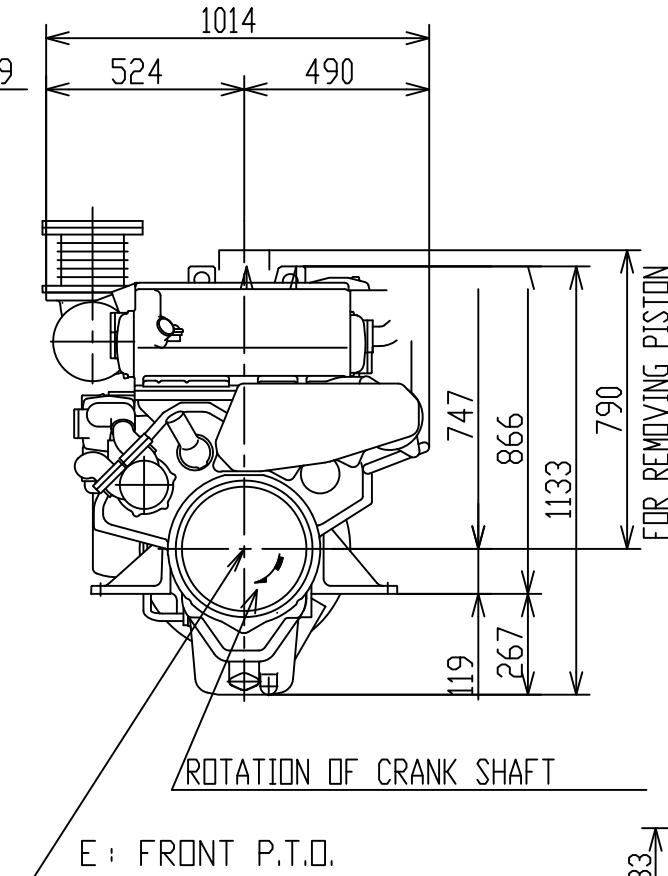
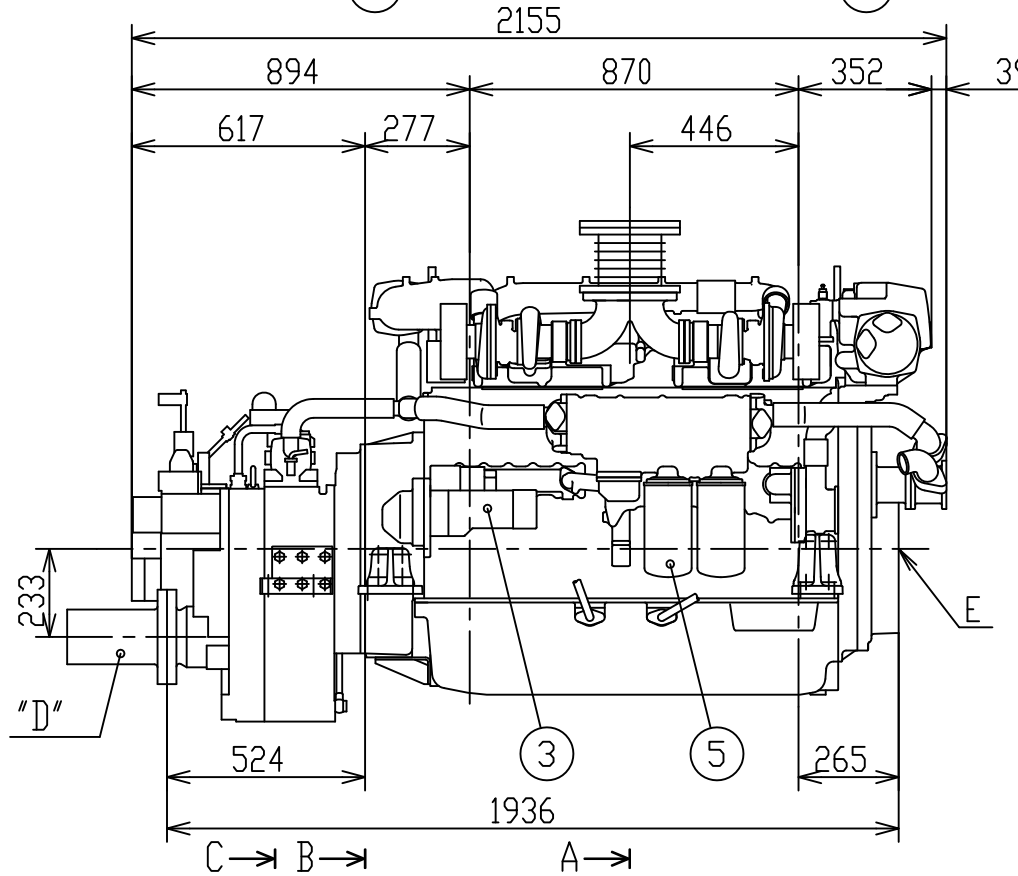
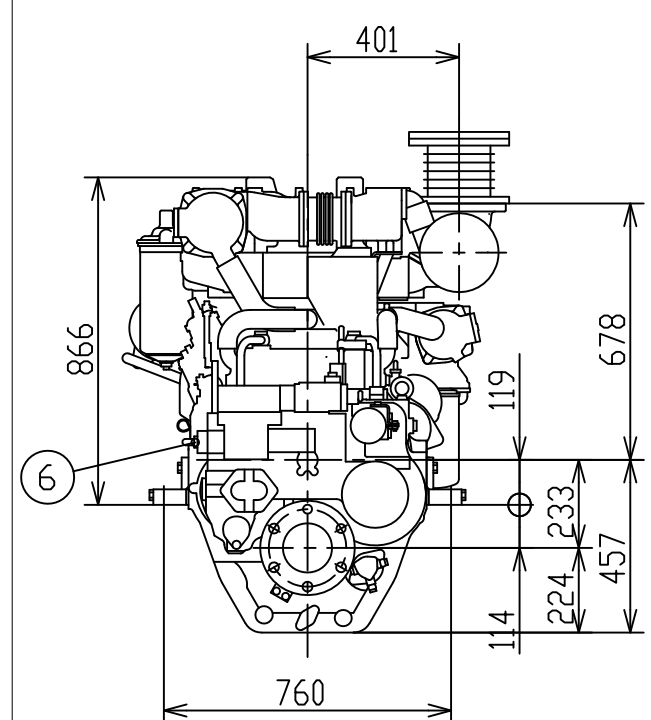
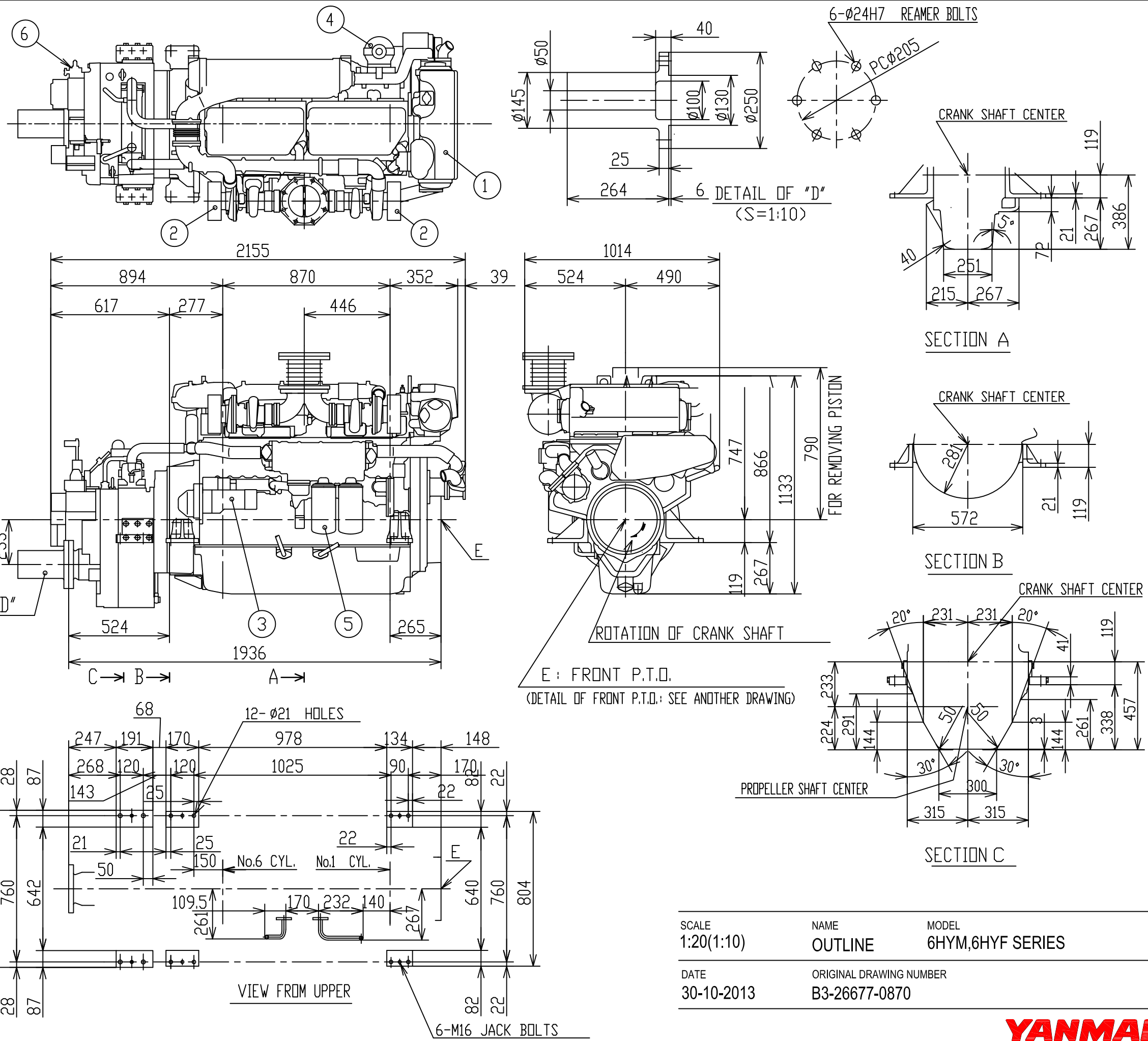


No.	NAME
①	FRESH WATER TANK
②	AIR FILTER FOR TURBO
③	STARTING MOTOR
④	FUEL OIL FILTER
⑤	LUB OIL FILTER
⑥	CLUTCH SWITCHING LEVER



ENG.MODEL	CLUTCH MODEL
6HYM-ETE 6HYM-WET 6HYF-WET	YXH-160-5
TOTAL MASS(abt.)	1780kg

SCALE	NAME	MODEL
1:20(1:10)	OUTLINE	6HYM,6HYF SERIES
DATE	ORIGINAL DRAWING NUMBER	
30-10-2013	B3-26677-0870	

**YANMAR**  
Copyright(C) YANMAR CO.,LTD. All right reserved.