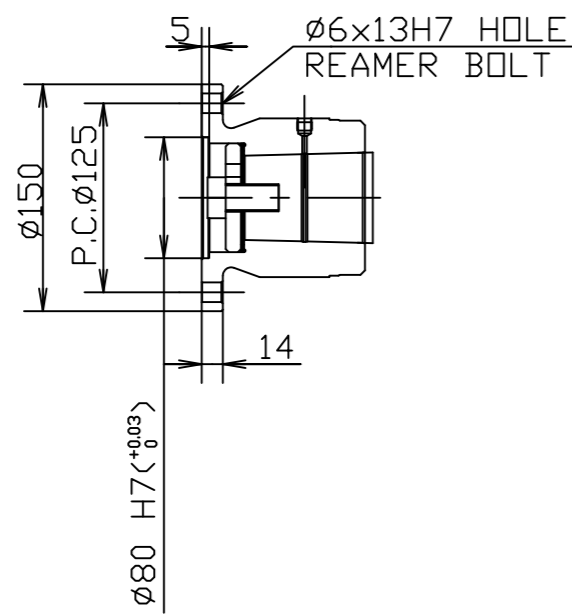
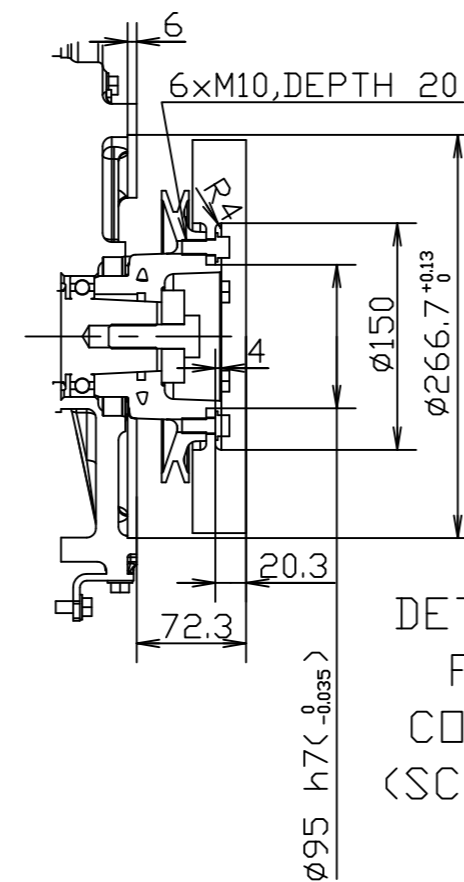


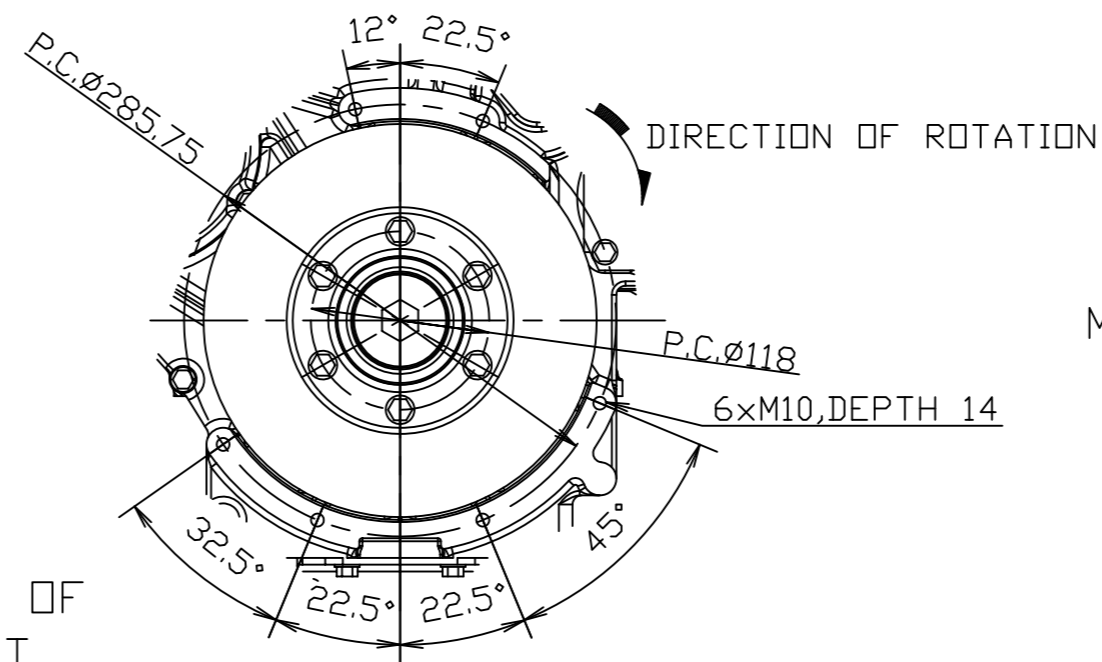
DETAIL OF COUPLING B (SCALE 1:5)



DETAIL OF COUPLING A (SCALE 1:5)



DETAIL OF FRONT COUPLING (SCALE 1:5)



FOR MASS PRODUCTION

MARINE GEAR: YX-50S(-1)
RIGID INSTALLATION

SCALE	NAME	MODEL
1:10(1:5)	OUTLINE	6LY2M-WST/WDT
DATE	ORIGINAL DRAWING NUMBER	REVISION
12-5-2014	B2-19595-0670	0