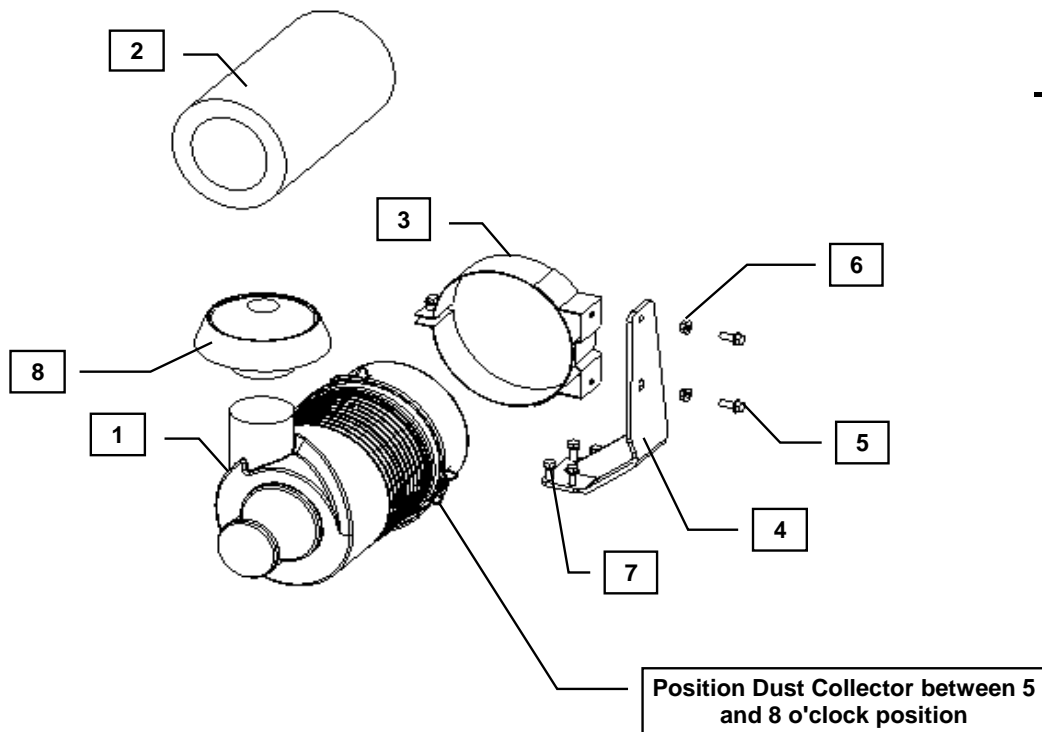


Kit Name: KAC13



**YANMAR CO., LTD.**  
YANMAR AMERICA CORP.

Item	Lev.	O	Part No.	Description	Quantity	Remarks
1	--		129989-12750	Air Cleaner Assy	1	
2	---		123987-12510	Element, a/c	1	
3	--		123987-12570	Band, Air Cleaner	1	
4	--		129989-12660	Bracket, Air Cleaner	1	
5	--		26106-080202	Bolt, M8 X 1.25 - 20, (Flanged hex head)	2	
6	--		26366-080002	Nut, M8 X 1.25 - (Flange)	2	
7	--		26013-080222	Bolt, M8 x 1.25 - 22 (Captive Spring Lock Washer)	4	
8	--		123987-12600	Rain Cap Assy	1	



Notes: Parts code is not assigned to non-servicable component parts.

Remarks: Kit includes Donaldson part number label.



### Installation Instructions

Hand tighten all bolts and nuts until assembly is completed, then torque according to specifications in Table 1. The numbers in ( ) represent the item numbers.

1. Fasten the Air Cleaner Band (3) onto the Air Cleaner Bracket (4) using M8x1.25-20 bolts (5) and M8 Flange Nuts (6).
2. Assemble Air Cleaner Band (3) and Bracket (4) assembly to the intake manifold with M8x1.25-22 bolts (7).
3. Open the Air Cleaner Band (3) by removing the bolt and spring fastener from the assembly. Remove the Air Cleaner Cover from the Air cleaner (1). This will allow the Air Cleaner (1) to slide into the Air Cleaner Band (3).
4. Insert the Air Cleaner (1) in the Band (3) and position in the recess provided on the Air Cleaner. Fasten it with the bolt, spring, and nut that came with the Band. Reinstall the Air Cleaner Cover and adjust the orientation so the dust collector is positioned downward between the 5 and 8 o'clock position.
5. Within the loose parts supplied with the engine, locate the following items:
  - A. 1 x Intake Hose 129509-12070
  - B. 1 x Air Intake Hose 129945-12080
  - C. 1 x Breather Hose Assembly 129945-03080
  - D. 1 x Breather Joint 129509-03050
  - E. 3 x Hose Clamp 23000-070000
  - F. 1 x Hose Clamp 23000-102000Assemble these parts according to the diagram shown on page 3, and connect this hose assembly to the turbocharger inlet and Air Cleaner (1) outlet. Tighten all hose clamps appropriately. Be sure to connect the breather hose to the crankcase ventilation outlet located near the back of the valve cover.
6. Fasten the Rain Cap (8) to the inlet of Air Cleaner (1) using the clamp that comes with the Rain Cap.
7. Install the Air Cleaner Label on the Air Cleaner (1) or a piece of equipment in the area of the Air Cleaner. Be sure Label is visible and is not placed on the Air Cleaner Cover.

NOTE: Comply with torque standards in the table to avoid unexpected damage during installation or in the future.

**Table 1: Tightening Torque**

Diameter x Pitch	Kgf-m	Foot-lbf	N-m
M8 x 1.25	1.5 ~ 2.9	10.6 ~ 20.9	14.4 ~ 28.3



**Installation Instructions**

Assembly Diagram of Air Intake and Closed Breather System Hoses

NOTE: These parts are included with the engine, and are not part of the Air Cleaner Kit.

