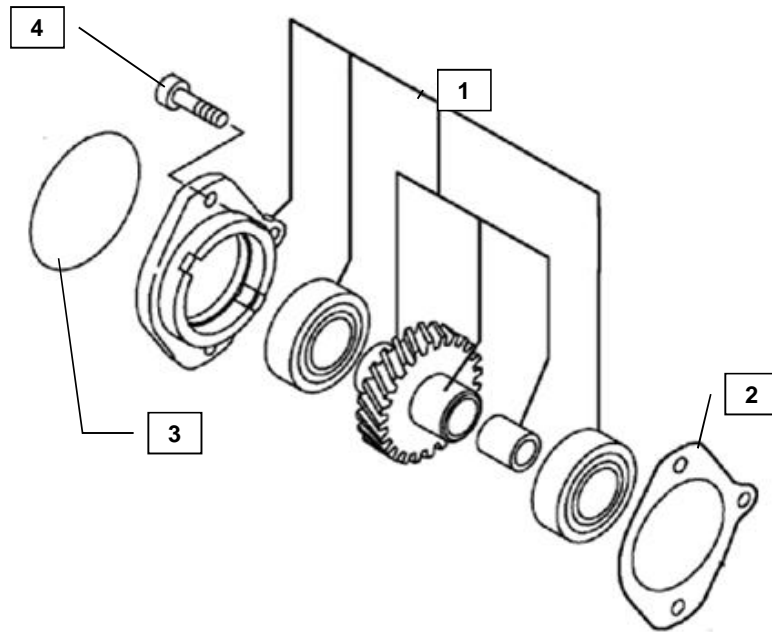




Item	Lev.	O	Part No.	Description	Quantity	Remarks
1			119889-26000	HOP Drive (Complete)	1	11T
2			171353-26081	Gasket	1	
3			24321-000850	O-Ring	1	
4			26450-080282	Screw, M8x1.25-28, (Cap, Hex Socket Head)	1	



MODELS

3TNV82A 3TNV88
3TNV84T 4TNV88
4TNV84T

Notes: Parts code is not assigned to non-servicable component parts.



Installation Instructions

1. Remove the cover and the O-ring. Do not reuse the O-ring.
2. Put the gasket (2) on the HOP gear drive (1) and insert them from the back of gear case.
3. Tighten the socket screw (4) per tightening torque table.
4. Put the O-ring (3) before a hydraulic pump.

NOTE: Comply with torque standards in the table to avoid unexpected damage during installation or in the future.

Table 1: Standard Nut and Bolt Tightening Torque

Diameter x Pitch	Kgf-m	Foot-lbf	N-m
M8 x 1.25	1.5 ~ 2.9	10.6 ~ 20.9	14.4 ~ 28.3
M10 x 1.50	4.5 ~ 5.5	32.5 ~ 39.8	44.0 ~ 54.0
M12 x 1.75	8.0 ~ 10.0	57.8 ~ 72.3	78.4 ~ 98.0