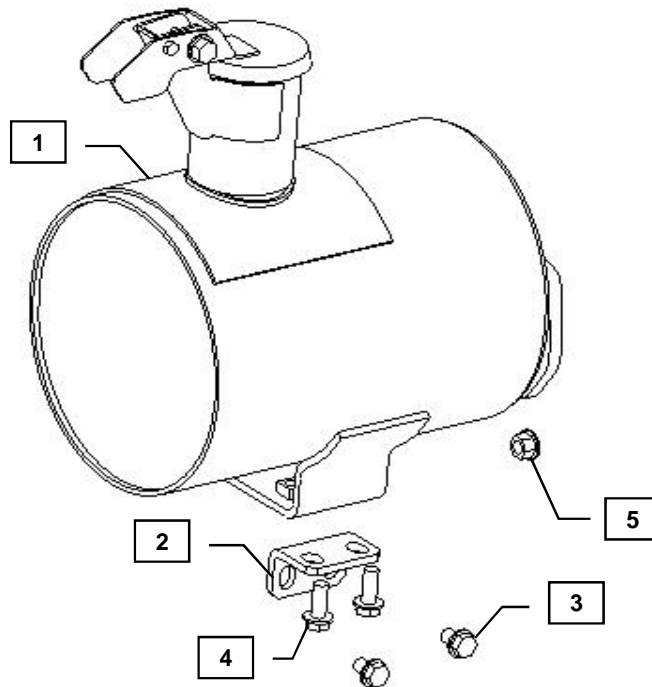




Item	Part No.	Description	Quantity	Remarks
--				
1	129080-13520	Muffler	1	
2	129322-18150	Bracket, pipe	1	
3	26106-080122	Bolt, M8x1.25 - 12 (Flanged hex head)	2	
4	26106-080202	Bolt, M8x1.25 - 20 (Flanged hex head)	2	
5	26306-080002	Nut, M8x1.25 (Flanged hex head)	4	



**MODELS**  
3TNV84T

Notes: Parts code is not assigned to non-serviceable component parts.

Remarks:



**Installation Instructions**

**WARNING: DO NOT INSTALL THE KIT WHILE THE ENGINE IS STILL HOT**

Hand tighten all bolts and nuts until the assembly is completed, then torque to the specifications in Table 1 below.

1. Place the exhaust gasket included with the engine on the exhaust manifold flange studs.
2. Mount the Muffler (1) turbocharger outlet flange studs, secure using the M8x1.25 flange nuts (5).
3. Mount the Muffler Bracket (2) to the muffler using the M8x1.25 - 12 bolts.
4. Secure the Muffler (1) to the exhaust manifold using the now attached Muffler Bracket (2) and the M8x1.25 - 20 bolts.
5. Make sure the weight of the Muffler (1) is supported by the exhaust manifold NOT the turbocharger.

\*If the elbow pipe is chosen, the Raincap (8) should be installed.

**Table 1: Proper torque specifications for bolts and nuts.**

Diameter x Pitch	Kgf-m	Foot-lbf	N-m
M8 x 1.25	1.5 ~ 2.9	10.6 ~ 20.9	14.4 ~ 28.3