



**YANMAR**



**YTAGRI**



**YTAGRI brochure covers a versatile range of more than 250 agricultural tractor implements for various applications. Competitively priced and with short lead times, the implements are available worldwide. Manufactured at Yanmar Turkey, they automatically come with the reliable quality and after-sales assurance of Yanmar. All implements are customised to user specifications and CE-certified for the European market.**

**YTAGRI**

**YANMAR**

# 1912

- Yamaoka Engine Workshop was established by Magokichi Yamaoka to repair and sell gasoline-powered engines.



1912

# 1933

- The world's first small horizontal water-cooled diesel engine is developed.



1933

# 1937

- Yanmar started to advance in the field of agricultural equipment. Tiller and tractor were introduced to the market.



1937

# 1947

- Industry-pioneering LB model, Japan's smallest vertical diesel engine, is launched.



1947

# 1952

- Focused on the production of auxiliary engines for ships sailing on the high seas, Yanmar produced and launched auxiliary engines (120 hp) powering the generators and pumps on the ships.



1952

# 1953

- Large diesel engine used for emergency power generation for use in energy companies, power plants, buildings and factories was manufactured and launched for the first time.



1953

## FIELDS

### OUR BUSINESS DOMAINS ARE THE EARTH ITSELF.

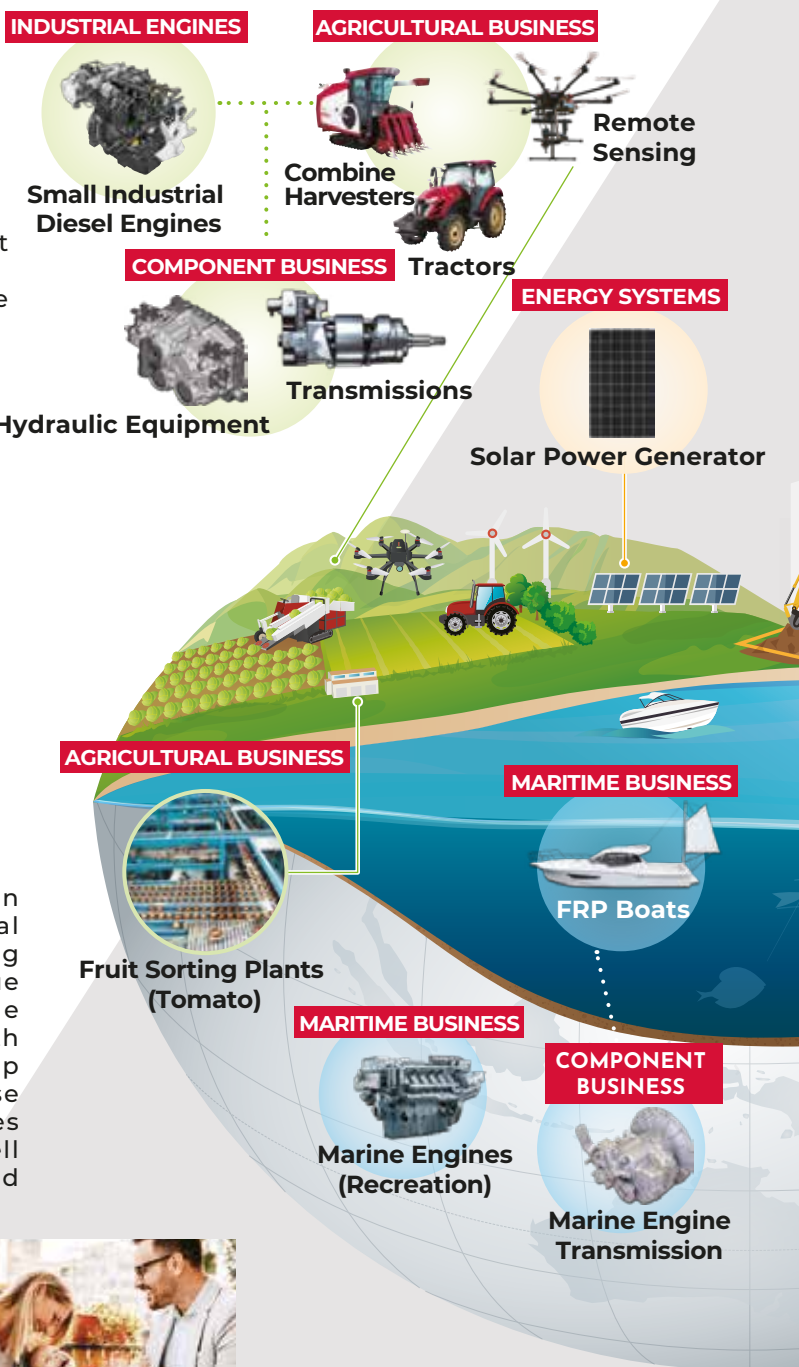
From the vast fields to the oceans and our cities, Yanmar is active in every aspect of planet Earth that touches our lives. Yanmar maintains its unmatched reputation for reliability and efficiency based on the strength of its technologies in these areas. At Yanmar, we provide innovative and comprehensive solutions that create wealth and value for our customers and community.



## LAND

### TRANSFORMING AGRICULTURE INTO THE FOOD VALUE CHAIN.

Yanmar has been supporting staple food production through the manufacturing and sale of agricultural vehicles for many years. At present, we are moving forward with the understanding of "food value chain" rather than "ordinary agriculture", in line with the goal of creating an enriched society with safe and abundant food. We continue to develop business, from superior equipment to effective use of information and communication technologies for a wide range of food-related industries, as well as providing agricultural management support and better sourcing and even food experiences.



1955

- Magokichi Yamaoka is awarded with Diesel Gold Medal by the German Inventors Association



1955

1956

-Yanmar Institute of Technology, currently Yanmar Research and Development Center, was opened.



1956

1957

- Yanmar established its "first company abroad" in Brazil.



1957

1968

- Launched self-propelled wheel mini excavator YNB300 to serve the developing construction industry.



1968

1984

- Cogeneration System was delivered to Syowa Station in Antarctica.



1984

2012

-Became the first manufacturer to receive the first Tier-4 standard certificate in the world (19-56kW)



2012

2016

- 'Sustainable Future', Yanmar's new brand slogan, was announced.  
- Yanmar Turkey office was established



2016

2021

YTAGRI, YANMAR'S brand focused on agricultural equipment was established.



2021

ENERGY SYSTEMS



Gasoline-powered Engines

ENERGY SYSTEMS



Cogeneration Systems

CONSTRUCTION EQUIPMENT



Light Balloons

Mini Excavator

ENERGY SYSTEMS



GHP

Backup Generators

COMPONENT BUSINESS



Machinery Parts

MARITIME BUSINESS



Sea Water Filtering Plants

MARITIME BUSINESS



Marine Net Cleaning

LARGE ENGINES



Drive Motors

Auxiliary Engines

CITY

CONTRIBUTING TO THE DEVELOPMENT OF INFRASTRUCTURE THAT SUPPORTS COMFORTABLE URBAN LIVING.

As urban development continues to advance globally, we offer a variety of machines indispensable for building urban infrastructure including compact construction equipment ideal for urban development. Moreover, Yanmar has developed ultra-efficient gas heat pump (GHP) air conditioners that contribute to energy savings, as well as cogeneration and energy management systems that optimally control electricity and heat in urban environments where various facilities and residential projects are dense. Additionally, our company contributes to the cities of the future and energy savings by promoting the use of renewable energy.



SEA

SUSTAINABLE PRACTICES ON OUR OCEANS.

While maintaining harmony with nature, we have developed marine engine/propulsion systems with unmatched performance and reliability, providing comfortable navigation. We also continue to develop and support aquaculture technologies and vessels thereof. Our goal is the development of all areas ranging from industries that support the foundation of our modern lifestyle, such as maritime transport and fish farms, to pleasure boats while human beings and sea continue their existence in harmony.



# INDEX

MINI ROTARY TILLERS	1	SUPER CULTIVATOR	58
ROTARY TILLER	2	CULTIVATOR WITH SPIRAL SPRING	60
MECHANICAL SIDE SHIFTING ROTARY TILLER	6	CHISEL PLOUGH	62
HYDRAULIC SIDE SHIFTING ROTARY TILLER	8	LIGHT TYPE CHISEL	64
SIDE SHIFTING ROTARY TILLER WITH HYDRAULIC SENSING DEVICES	10	CHISEL-SUBSOILER (HEAVY TYPE)	66
ROTARY POWER HARROW	12	SUBSOILER	68
PNEUMATIC SEED DRILL	14	SUPER SUBSOILER	70
COMBINED SEED DRILL	16	CULTIVATOR WITH COMPRESION SPRING	72
CHICKPEA SEED DRILL	18	CULTIVATOR WITH VERTICAL SPRING	74
INTER ROW ROTARY CULTIVATOR	20	CULTIVATOR WITH EXTENSION SPRING	76
SINGLE DISC FERTILIZER SPREADER	22	CHISEL PLOUGH WITH SPRING	78
TWIN DISC FERTILIZER SPREADER	24	BACK OF THE CULTIVATOR TOOTH HARROW	80
CGSA SERIES	26	BACK OF THE CULTIVATOR ROTARY HARROW	81
ROTARY SLASHER	28	INTER ROW SPRING CULTIVATOR	82
FLAIL MOWER	30	DISC TILLER	84
REAPER BINDER	32	HEAVY DUTY FOLDABLE DISCHARROW	86
FORAGE HARVESTERS	34	SUBSOILER AND CRUMBLER COMBINATION	88
ROTARY DRUM MOWER	36	HEAVY LAND ROLLER	90
ROTARY DISC MOWER	38	LASER LAND LEVELER	92
ROTARY RAKE	40	SQUARE BALERS	94
TWIN ROTARY RAKE	42	TRACTOR FRONT BLADE	98
ROTARY TEDDER	44	WATER PUMP	100
VERTICAL MIXER FEEDER	46	IN-LINE BALER	102
HORIZONTAL MIXER FEEDER	48	PTO SHAFT	104
VIBRATING SUBSOILER	50	OFFSET MULCHER	105
MECHANICAL & HYDRAULIC POST HOLE DIGGER	52	POTATO HARVESTER	106
CONVENTIONAL PLOUGH	54	POTATO PLANTING	107
CULTIVATOR WITH SPRING AND CRUMBLER COMBINATION	56	MILKING MACHINES	108

# MINI ROTARY TILLERS



It is a multi-purposed soil tillage machine for low powered farm and garden tractors. It is driven by the power-take-off drive of the tractor and easily attached to the tractor by its three-point hitch and used for preparing seedling-beds in low scale orchards, greenhouses and vineyards and seed beds in farms and for incorporating the organic materials into the soil by means of milling.

It shreds, mixes and swells the soil well enough. It provides environment-friendly solutions by destroying the weeds mechanically with no necessity for a chemical intervention. With the option of mechanic side sliding and hydraulic side sliding.

It comes much closer to the depths of vine stocks and trees and tills the soil.

TECHNICAL SPECIFICATION	T-SMR 850 T-MKMR 850	T-SMR 110 T-MKMR 110	T-SMR 1300 T-MKMR 1300 T-HKMR 1300	T-SMR 1600 T-MKMR 1600 T-HKMR 1600	T-SMR 1750 T-MKMR 1750 T-HKMR 1750	T-SMR 1900 T-MKMR 1900 T-HKMR 1900
Machine Code (Order number)	20208101 20209101	20208102 20209102	20208103 20209103 20211105	20208104 20209104 202011106	20208105 20209105 202011103	20208106 20209106 202011104
Working Width (mm)	800	1000	1200	1400	1600	1800
Working Depth Max (mm)	120					
Overall Width (mm)	1010	1210	1410	1610	1810	2010
Overall Height (mm)	900			1000		
Number of Flanges	4	5	6	7	8	9
Number of Blades	24	30	36	42	48	54
Machine Weight (kg)	210	230	245	260	315	345
Machine Weight (kg)	-	-	330	345	400	430
P.T.O. Shaft Rotations (max)(min-l)	540					
Required Tractor Power(HP)	15	15-20	20-25	25-30	30-35	35-40

We reserve our rights to make changes in designs, specifications and features without prior notice.

# ROTARY TILLER



YTAGRI Rotary Tiller is a secondary tillage tool used in preparing seed-beds, stubble-ploughing in especially farms, vineyards and gardens. It is also a multi-purposed and long lasting environment-friendly machine that helps with the increase of the humus content of the soil by incorporating the plant residues and organic fertilizer into the soil and it does not make it a necessity to fight with the chemical weeds.

The fact that the motion coming from the power-take-off shaft is transferred to the blades through the gear system makes savings on power and fuel in proportion to the chain system. The milling cutter blades shreds, mixes and crumbles the soil by operating vertically on the surface of the soil. It provides the water-air balance of the soil by making it loose.

Thanks to the protection cover made from sheet iron, it makes it possible for the soil that springs to be shredded and prevents it from harming the surroundings.

The machine shafts have a safety arrangement and they prevent the tractor or the machine from being damaged in the event that stones or roots get caught in them.

With the option of the variable-speed shaft and a 540 rpm, the motion obtained from the power-take-off shaft makes it possible through the detachable gears in the transmission to use the rotational speed of the blades differently; in this way, an effective shredding and mixing operation is provided.

The transmission is located in the middle. (There are the alternatives such as Optional, semi-eccentric and eccentric transmission for the easy-to-use usage in the vineyards and gardens)





CHANGEABLE SPEED GEARBOX

Rotation Gears	Number of blade rotation (rpm)
15-20	165
17-18	208
18-17	235
20-15	295

Optional - Spring Cover



\*Changeable speed gearbox is optional and can be inquired with code number T-DDSR.

TECHNICAL SPECIFICATION	T-SR 1400	T-SR 1600	T-SR 1850	T-SR 2100	T-SR 2400	T-SR 2500	T-DDSR 1600	T-DDSR 1850	T-DDSR 2100	T-DDSR 2400	T-DDSR 2500	
Machine Code (Order number)	20202107	20202213	20202323	20202429	20202516	20202601	20202220	20206218	20206330	20206442	20206501	
Working Width (mm)	1260	1514	1768	2022	2240	2495	1514	1768	2022	2240	2495	
Working Depth Max (mm)	190											
Overall Width (mm)	1516	1770	2024	2278	2570	2825	1790	2044	2298	2590	2825	
Overall Length (mm)	850			900			850			900		
Overall Height (mm)	1100				1230			1200			1230	
Number of Flanges	6 (5 opt)	7 (6 opt)	8 (7 opt)	9 (8 opt)	10 (9 opt)	11 (10 opt)	7 (6 opt)	8 (7 opt)	9 (8 opt)	10 (9 opt)	11 (10 opt)	
Number of horizontal blades	30	36	42	48	54	60	36	42	48	54	60	
Number of vertical blades (Optional)	36	44	52	60	68	76	44	52	60	68	76	
Machine Weight (kg)	390	420	455	490	760	850	575	600	665	785	880	
P.T.O. Shaft Rotations (max)(min-l)	540											
Required Tractor Power (HP)	30-35	35-40	40-45	45-50	55-65	70-75	50-55	55-60	60-65	70-75	75-80	



We reserve our rights to make changes in designs, specifications and features without prior notice.



\*It prevents the formation of footstones by shatter the soil with its special ripper legs; in this way, it provides the formation of the most suitable soil texture for the plant's root development and plant nutrition.  
It prevents the damp and heated state of the soil from evaporating by applying pressure on the soil it tills thanks to its optional light-weight and heavy roller.



\*Optional packer roller



\*Optional bar roller

TECHNICAL SPECIFICATION	T-RT 1600	T-RT 1850	T-RT 2100	T-RT 2400	T-RT 2500	T-SR 1600	T-DDSR 1850	T-DDSR 2100	T-DDSR 2400	T-DDSR 2500
Machine Code (Order number)	20205124	20205222	20205322	20205424	20205524	202051	20206222	20205320	20205420	20205520
Working Width (mm)	1514	1768	2022	2240	2495	181514	1768	2022	2240	2495
Working Depth Max (mm)	I									
Overall Width (mm)	1770	2024	2278	2570	2835	1790	2044	2298	2590	2835
Overall Length (mm)	1600			1740			1700			1740
Overall Height (mm)	1100			1230			1200			1230
Number of Flanges	7	8	9	10	11	7	8	9	10	11
Number of Horizontal Blades	36	42	48	54	60	36	42	48	54	60
Number of vertical blades (Optional)	44	52	60	68	76	44	52	60	68	76
Machine Weight (kg) with Bar Roller	610	665	720	980	1080	765	815	870	1010	1080
Machine Weight (kg) with Packer Roller	720	770	830	1100	1200	875	920	980	1130	1230
P.T.O. Shaft Rotations (max)(min-1)	540									
Required Tractor Power (HP)	50-55	55-60	65-70	70-75	75-80	60-65	60-70	70-75	77-80	80-85

We reserve our rights to make changes in designs, specifications and features without prior notice.

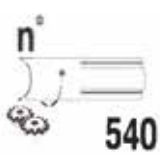

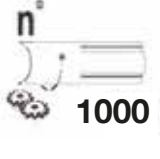
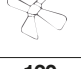
**YTAGRI**



\*Heavy Type Rotary Tiller

\*Optional Ripper Tine

\*The movement received from the tractor power take-off with variable-speed gear box in 540, 750 or 1000 no rotations, provides effective splitting and mixing process by enabling changes in many different options of the rotation speed of detachable gears and blades in the gear box.

	Rotation Gears	Number of blade rotation (rpm)	
 540	Z1		
	Z2		
	16		
	25		
	25		<b>70</b>
	16		<b>171</b>
	18		<b>86</b>
	23		<b>140</b>
 1000	Z1		
	Z2		
	16		
	25		
	25		<b>130</b>
	16		<b>317</b>
	18		<b>158</b>
	23		<b>259</b>

TECHNICAL SPECIFICATION	T-ATRT 2600	T-ATRT 2800	T-ATRT 3000
Machine Code (Order number)	21202410	20207305	21202516
Working Width (mm)	2500	2750	3000
Working Depth (mm)	220		
Overall Width (mm)	3063	3308	3553
Overall Length (mm)	2058		
Overall Height (mm)	1270		
Number of Flanges	10	11	12
Number of Blades	60	66	72
Machine Weight (kg) with Bar Roller	1180	1310	1440
Machine Weight (kg) with Packer Roller	1300	1450	1600
P.T.O. Shaft Rotations (max)(min-l)	540		
Required Tractor Power (HP)	100-110	110-120	120-130

We reserve our rights to make changes in designs, specifications and features without prior notice.

# MECHANICAL SIDE SHIFTING ROTARY TILLER



YTAGRI Mechanical Side Shifting rotary tiller which is powered by the tractor power-take-off shaft and is easily attached to the three-point hitch is a multi-purposed machine that facilitates your works such as preparing the seedling seed-beds, hoeing and the incorporation of organic materials into the soil and aeration of the soil and as well as preparing seed-beds and stubble-ploughing soil in vineyards and orchards.

By the sliding the transmission mechanically it comes much closer to the depths of vine stocks and trees and shreds, mixes and swells the soil well enough.

The protection cover which is made from sheet iron ensures that the soil that springs are re-shredded prevents it from harming the surroundings.

The transfer of the motion coming from the power-take-off to the blades is made possible with the gear system; in this way, it makes a savings on the power and the fuel in proportion to the chain system.

The machine shafts have a safety arrangement and they prevent the tractor or the machine from being damaged in the event that stones or roots get caught in them.



**YTAGRI**



TECHNICAL SPECIFICATION

	T-MKR 1400	T-MKR 1600	T-MKR 1850	T-MKR 2100
Machine Code (Order number)	20201105	20201209	20201313	20201417
Working Width (mm)	1260	1514	1768	2022
Working Depth (mm)	190			
Overall Width (mm)	1516	1770	2024	2278
Overall Length (mm)	850			
Overall Height (mm)	1050			
Number of Flanges	6 (5 opt.)	7 (6 opt.)	8 (7 opt.)	8 (opt.)
Number of Horizontal Blades	30	36	42	48
Number of Vertical Blades (Optional)	36	44	52	60
Machine Weight (kg)	395	415	440	480
P.T.O. Shaft Rotations (max)(min-l)	540			
Required Tractor Power (HP)	30-35	35-40	40-45	45-50

We reserve our rights to make changes in designs, specifications and features without prior notice.

# HYDRAULIC SIDE SHIFTING ROTARY TILLER

Used in orchards, greenhouses and vineyards for preparing the seedling seed-beds and hoeing, it is an environment friendly machine that helps increase the humus content in the soil by incorporating the plant residues and the organic fertilizer into the soil and it does not make it a necessity to begin a chemical weeding by destroying the weeds mechanically.

The working position is adjusted with a hydraulic remote control by the driver of the tractor. The machine is slid to the depths of the vine stocks and trees with a hydraulic piston to the right of the tractor and the inter-row and above-row parts are processed at the same time thus saving the fuel and time.

The transfer of the motion coming from the power-take-off to the blades is made possible with the gear system; in this way, it makes a savings on the power and the fuel in proportion to the chain system.

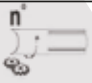

The option of a variable speed transmission is available.



**YTAGRI**



CHANGEABLE SPEED GEARBOX

Rotation Gears	Number of blade rotation (rpm)
z1-z2	540 (Rpm) (U/min)
	
15-20	165
17-18	208
18-17	235
20-15	295

TECHNICAL SPECIFICATION	T-HKR 1600	T-HKR 1850	T-HKR 2100	T-HKR 2400	T-HKDDR 1600	T-HKDDR 1850	T-HKDDR 2100	T-HKDDR 2400
Machine Code (Order number)	20204202	20204302	20204419	20204506	20204210	20204313	20204411	20204504
Working Width (mm)	1514	1768	2022	2235	1514	1768	2022	2235
Working Depth Max (mm)	190							
Overall Width (mm)	1740	1975	2210	2480	1740	1975	2210	2480
Overall Length (mm)	1050							
Overall Height (mm)	1150				1200			
Number of Flanges	7 (6 opt.)	8 (7 opt.)	9 (8 opt.)	10 (9 opt.)	7 (6 opt.)	8 (7 opt.)	9 (8 opt.)	10 (9 opt.)
Number of Blades	36	42	48	54	36	42	48	54
Machine Weight (kg)	485	510	535	580	500	570	640	718
P.T.O. Shaft Rotations (max)(min-l)	540							
Required Tractor Power(max)	35-40	40-45	45-50	50-55	40-45	45-50	50-55	60-65

We reserve our rights to make changes in designs, specifications and features without prior notice.

# SIDE SHIFTING ROTARY TILLER WITH HYDRAULIC SENSING DEVICES

YTAGRI Side Shifting Rotary Tiller with Hydraulic Sensing Devices is secondary tillage tool that is powered by tractor power-take-off shaft and is easily attached to the three point hitch. it has been manufactured to be used especially in orchards and vineyards. The hydraulic system on the machine performs the operation of getting away from the plant body automatically with the help of the sensing rod with no need of intervention of the driver and it does not harm the body even if it is a sapling.

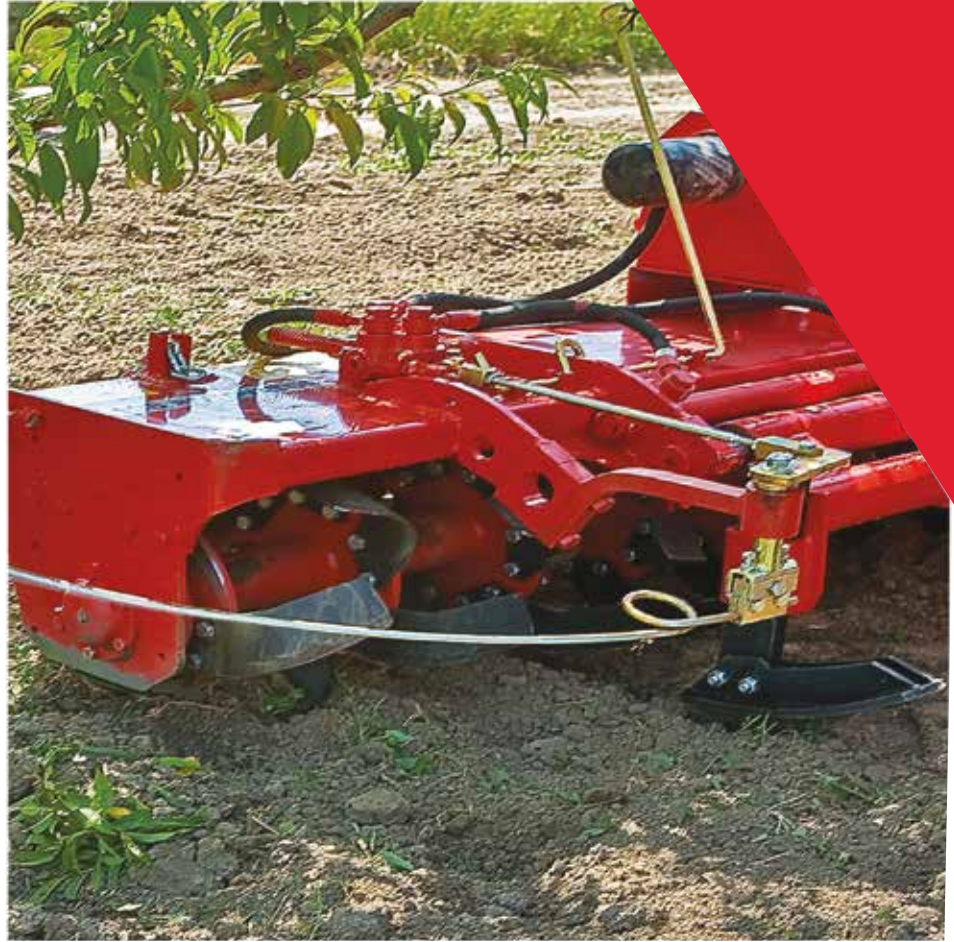
Thanks to the protection cover which is made from sheet iron and the position of which can be adjusted at the back of the machine, the soil that springs are re-shredded and prevented from harming the surroundings. The transfer of the motion coming from the power-take-off to the blades is made possible with the gear system; in this way, it makes a savings on the power and the fuel in proportion to the chain system.

The machine shafts have a safety arrangement and they prevent the tractor or the machine from being damaged in the event that stones or roots get caught in them.



**YTAGRI**





TECHNICAL SPECIFICATION	T-HDR 1600	T-HDR 1850	T-HDR 2100
Machine Code (Order number)	20203202	20203303	20203403
Working Width (mm)	1514	1768	2022
Working Depth (mm)	190		
Overall Width (mm)	1750	1935	2220
Overall Length (mm)	1050		
Overall Height (mm)	1150		
Number of Flanges	7 (6 opt.)	8 (7 opt.)	9 (8 opt.)
Number of Blades	36	42	48
Machine Weight (kg)	520	570	600
P.T.O. Shaft Rotations (max)(min-l)	540		
Required Tractor Power (HP)	40-45	45-50	50-55

We reserve our rights to make changes in designs, specifications and features without prior notice.

# ROTARY POWER HARROW



With their strong, powerful and reliable structure, easy-to use operation and wide model range that is able to meet any kind of needs, YTAGRI Power Harrows are the most successful PROFESSIONAL MACHINE among the machines that cultivate the land and prepare the seed-bed in respect of their help to both the soil and the plant. As their blades which can process the soil vertically as deep as 28 cm cultivate the land without making it upside down, the soil moisture is preserved and the formation of footstones. Thanks to its roller at the back of the machine, it applies pressure on the soil and ensures that the soil is damp and heated. It provides the most ideal granular structure in the soil in terms of water and air permeability. It prepares the conditions of optimum seed-bed for germination and development and provides an increase in the plant yield and its economic value after a successful farm output. With different width options reaching up to 4 metres, it makes it easy to work with higher productivity. Another equipment can be attached to the power-take-off shaft at the back of the special transmission with optional Hydraulic attachment; this way more than one work is performed at one time and thus saving of time and fuel are realized and the farm traffic is decreased. Thanks to the shaft with safety system used in the machine, any failure that could occur in the tractor or in the machine in the event that the machine stumbles on stones or roots. All the machines are equipped with heavy rolls. The tube roller models are also available. Hydraulic attachment is optional.

**YTAGRI**



n°	540		24	19	25	18
			19	24	18	25
rev	min		305	191	335	174

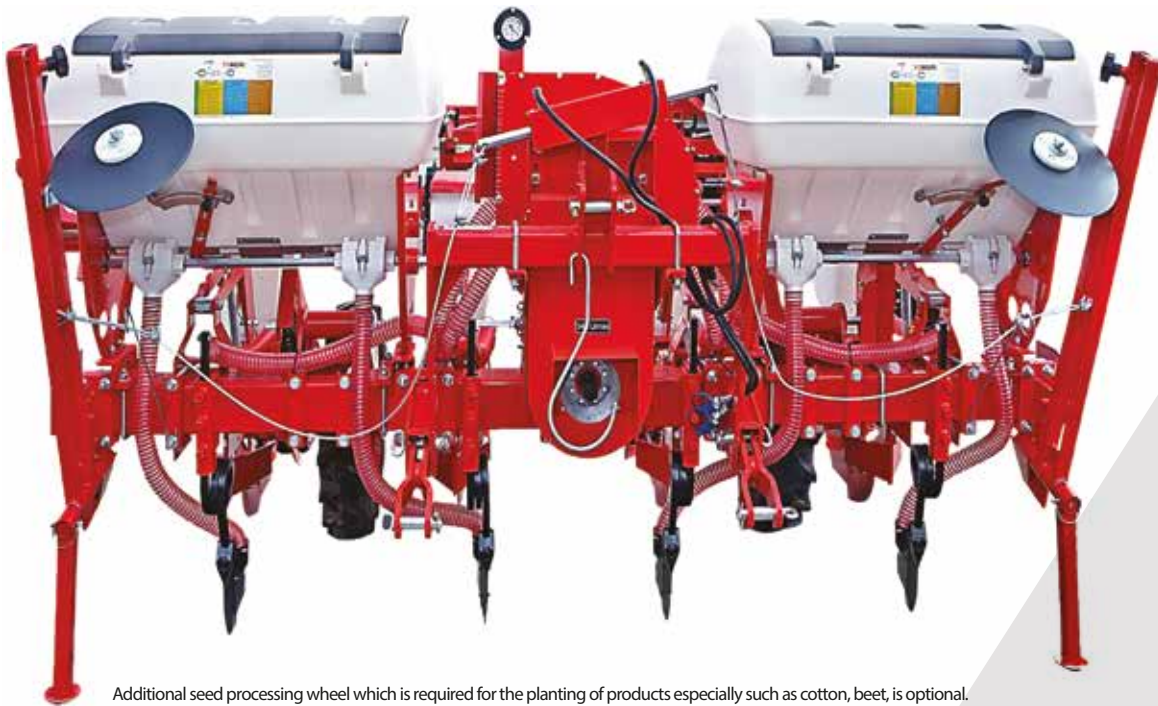
n°	1000		19	18
			24	25
rev	min		354	322



TECHNICAL SPECIFICATION	T-DRAM 2015-480	T-DRAM 2001-480	T-DRAM 2515-480	T-DRAM 2501-480	T-DRAM 3015-480	T-DRAM 3001-480	T-DRAM 4001-480
Machine Code (Order number)	21202305	21202301	21202406	21202410	21202518	21202516	21202621
Working Width (mm)	1990		2480		2970		3950
Working Depth (mm)	280						
Overall Width (mm)	2210		2700		3192		4172
Overall Length (mm)	1527						
Overall Height (mm)	1220	1285	1220	1285	1220	1285	
Number of Rotor	8		10		12		16
Number of Blades	16		20		24		32
Machine Weight (kg) with Bar roller	1000	1055	1200	1235	1240	1370	1750
Machine Weight (kg) with Packer roller	1145	1200	1380	1465	1575	1675	2085
P.T.O. Shaft Rotations (max) (min-1)	540-1000						
Required Tractor Power (HP)	75-85	80-85		90	100-110	110-120	130-140

We reserve our rights to make changes in designs, specifications and features without prior notice.

# PNEUMATIC SEED DRILL



Additional seed processing wheel which is required for the planting of products especially such as cotton, beet, is optional.

With YTAGRI Pneumatic seed drill, seeds belonging to the products such as corn, cotton, sunflower, beet, sugar, chickpea, bean, tomato can be sowed easily on the desired above-row and inter-row distances with a very low percentage of mirroring and spacing.

It has been designed to be suitable for multi-purposes to be adjusted to any kind of areas and different seed discs are chosen in accordance with delicate cultivation and the product to be sown.

With the help of the table within the gear box cover, one can easily choose the gear in accordance with the seed types appropriate for the product to be planted and the above-row distance can be adjusted by means of the gears to be between 2.9 - 41.7 cm.

High capacity seed and fertilizer boxes allow you to do fertilization with the cultivation and thus to save both from the time and the fuel.



TECHNICAL SPECIFICATION	T-PNM 2 T-PNM 2-GS	T-PNM 4 T-PNM 4-GS	T-PNM 5 T-PNM 5-GS	T-PNM 6 T-PNM 6-GS	T-PNM 8 T-PNM 8-GS
Machine Code (Order number)	20701002 20701004	20703020 20703029	20704009 20704012	20705013 20705017	20707002 20707001
Frame Width (m)	1.9-2.4	2.4-3.7	2.7-4.7	4.2-5.7	4.2-6.0
Row Spacing (max/cm)	120		90		70
Row Spacing (min/cm)			45		
The amount of seed (Lt)			30		
Capacity of Fertilizer Tank (Lt)			265		
Weight with Fertilizer Tank (lt)	600	750	850	950	1650
Weight without Fertilizer Tank (kg)	475	625	725	810	1200
Wheel Dimensions (in)	500x15 (15x33.5)			6.50x80x15 (15x33.5)	500x15 (15x33.5)
Number of Wheels	2				4
P.T.O. Shaft Rotations (max) (min-l)	540				
Required Tractor Power (HP)	40-50	50-60	60-70	70-80	80-90

We reserve our rights to make changes in designs, specifications and features without prior notice.



# COMBINED SEED DRILL



YTAGRI, can cultivate medium size grains such as wheat, barley, oats, rye in a combined and universal manner on the field the seed bed of which has been prepared as well as coarse grain such as chickpea seeds, corn, beans, soy. in addition to this, the cultivation transaction can be carried out of fine grain seeds such as cumin, carrot, onion etc. mixing them with fertilizer manure case.

- It can bury the seed and the fertilizer to the soil in the best way without leaving the seed and the fertilizers. The cultivator discs can be operated without being blocked and a tillage being carried out thanks to the special form.
- The disc plates - with double ball bearings, are manufactured from corrosion resistant steel.
- The seed boxes are made of, aluminum injection pressure and the valve has a seed draining feature.
- The seed grade connection rod bearing has been developed in order not to make a gap in the standard setting.
- The transmission gears, are precisely tilled with hob milling machine is resistant to corrosion.
- The plastic materials that are used are manufactured from special raw materials and are resistant to breakage and cracking.
- The seed and the fertilizer crate volumes are large. The chassis material is resistant to any challenging conditions.
- The tractor can move freely in hilly terrain thanks to its arrowhead which is hinged and has an adjustment for height.
- In its hydraulic systems there is a lock present. With the pressure relief valve, the pressure coming to the system is fixed to 100 bar.
- All materials that are used are selected based on their quality and long-lasting use.
- The acrylic paint that is used in the automotive is applied using oven and electrostatic technology.
- YTAGRI, is manufactured by expert engineers as a result of the R&D work that is carried out by them.



#### COMBINED SEED DRILLS SPECIFICATION AND GENERAL DIMENSIONS

TECHNICAL SPECIFICATION		TYPES								
		MB12CP	MB14CP	MB16CP	MB18CP	MB20CP	MB22CP	MB24CP	MB26CP	MB28CP
Distance Between Rows	mm	140	140	140	140	140	140	140	140	140
Working Width	mm	1.680	1.960	2.240	2.520	2.800	3.080	3.360	3.640	3.920
Box Width	mm	1.870	2.150	2.430	2.710	2.990	3.270	3.550	3.830	4110
Hub Trace Width	mm	2.210	2.490	2.770	3.050	3.330	3.610	3.890	4.170	4.450
Tire Trace Width	mm	2.230	2.510	2.790	3.220	3.500	3.780	4.060	4.340	4.620
Maximum Length	mm	3.046	3.046	3.018	3.018	3.046	3.046	3.046	3.046	3.046
Maximum Width	mm	2.390	2.670	2.950	3.510	3.790	4.070	4.350	4.630	4.910
Maximum Height	mm	1.464	1.464	1.464	1.483	1.483	1.483	1.483	1.483	1.483
Net Weight	kg	736	879	936	1.023	1.087	1.139	1.197	1.292	1.349
Seed Hopper Volume	lt	276	318	359	401	442	483	525	566	607
Fertilizer Hopper Volume	lt	197	226	256	285	315	344	373	403	432
Max. Depth of Sowing	mm	100	100	100	100	100	100	100	100	100
Min. Power requirement (Pull type)	HP	36	42	48	54	60	66	72	78	84
Min. Power requirement (3 point linkage type)	HP	60	70	80	90	100	110	120	130	140
Tire Sizes		650x16				10,0/75-15.3				

TSE Standart No: 5690

# CHICKPEA SEED DRILL





Chickpea sowing machine can plant big grained seeds especially chickpea as combined universally in prepared fields for the seedbed.

- Aluminum box and seed pitcher gear system.
- Sensitive settings for seed and fertilizer.
- Valve adjustment mechanism according to seed size.
- Anti-splash glass boxes for seeds.
- Possibility of planting seeds with fertilizer box.
- Gear transfer mechanism according to seed size.
- CE compability with closed chain system.
- Strength depth adjustment system.
- Strength to lateral forces by front movement.
- Tractor wheel patterned tire.
- Highly strengthened spring plate.
- Spreader shovel for a smooth seedbed.
- Shovel with double pipes.
- Durable and filexible flow hoses with rubber additives.
- Long-life bar made from steel.
- Independent run spring-loaded closers in all type of plates.

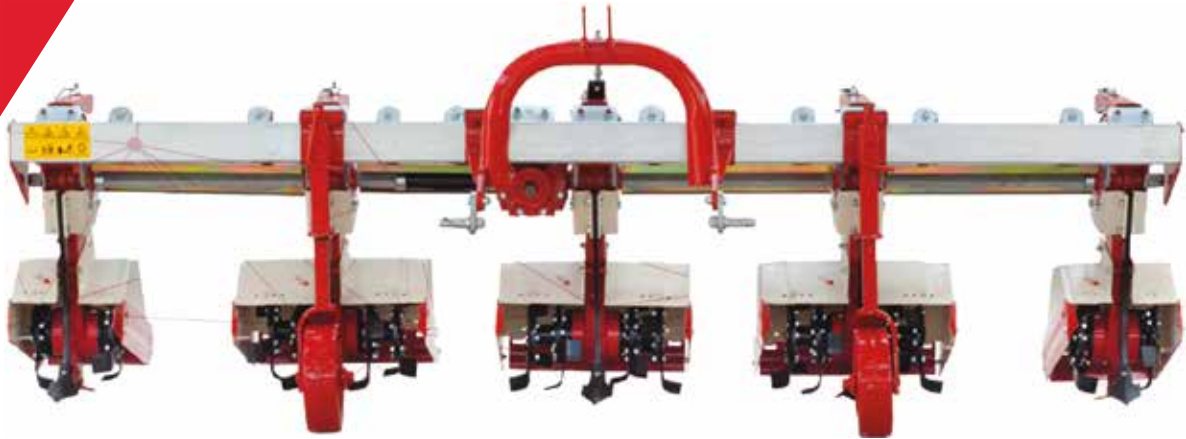


CHICKPEA SEED DRILLS SPECIFICATION AND GENERAL DIMENSIONS

TECHNICAL SPECIFICATION		TYPES		
		NHM11	NHM13	NHM15
Number of Sowing Feet	pcs	11	13	15
Distance Between Rows	mm	210	210	210
Working Width	mm	2,310	2,730	3,150
Box Width	mm	2,436	2,856	3,276
Tire Trace Width	mm	2,240	2,660	3080
Maximum Width	mm	2,806	3,226	3,646
Maximum Length	mm	1,400	1,400	1,400
Maximum Height	mm	1,500	1,500	1,500
Net Weight	kg	600	650	700
Seed Hopper Volume	lt	237	278	319
Fertilizer Hopper Volume	lt	204	239	274
Max. Depth of Sowing	mm	120	120	120
Minimum Power Requirement	HP	60	65	75

TSE Standart No: 5690

# INTER ROW ROTARY CULTIVATOR



Inter-row rotary cultivator is an ENVIRONMENTALLY FRIENDLY machine that destroys the weeds existing between the rows of the plants such as (corn, beet, sunflower, cotton, potato, tomato, pepper etc.) that are planted on the rows without damaging the plants and thus ensures that the plants get the adequate nutrients and water from the soil.

The row space can be adjusted by sliding the units on the main frames.

The working depth is adjusted by the 2 displaceable wheels located on the main frame.

The working depth of the units may be different depending on the products and plant space.

Thanks to the optional fertilizer box and the furrow opener apparatus, the fertilizer that has been scattered during the hoeing is made to be mixed with the soil homogenously and after this mixture is piled up towards the plant root the plant benefits hugely from the fertilizer with the middle breaking procedure.



**YTAGRI**



TECHNICAL SPECIFICATION	T-SCM 2-A	T-SCM 3	T-SCM 4	T-SCM 5	T-SCM 6	T-SCM 7-A	T-SCM 8
Machine Code (Order number)	20101202	20102103	20103106	20104312	20105414	20106426	20107417
Working Depth Max (mm)	80						
Overall Width (mm)	2030	2030	2530	3030	2530	4830	3030
Overall Length (mm)	1200						
Overall Height (mm)	1100						
Machine Weight (kg)	370	435	520	620	645	860	900
P.T.O. Shaft Rotations (max)(min-l)	540						
Required Tractor Power (HP)	25	30	40	60	50	max. 80	max. 60

We reserve our rights to make changes in designs, specifications and features without prior notice.

# SINGLE DISC FERTILIZER SPREADER



It is used at the phosphatic fertilizer (base fertilizer) disposal before the planting or at the disposal of the nitrogenous fertilizer, chemical fertilizer starting from the tillering of the crop that is growing.

- It contributes that the harvest will be more abundant, healthy and fruitful.
- Our machines which are produced with single disc and hydraulic control with a capacity of 600 liter, can spread ammonium nitrate fertilizer to 22 m and urea fertilizer to 16 m in a homogeneous manner.
- Our machines which are produced with double disc are produced for tractors which are growing in terms of horsepower, are fully produced with hydraulic control for 600 liter, 800 liter and 1000 liter capacities. According to the intended purpose of use, the blade angles can be adjusted and the discs can be changed, thus it has the feature to spread to 10-18, 20-28 and 30- 36 m distance. As the movement of the mixer system is slowed down with the use of a chain, it certainly does not grind the fertilizer. The amount of fertilizer to be spread to decare can be adjusted by using a test bucket sensitively before entering the field. With its adjustable blades feature, it is possible to carry out the spreading according to the size of the crop in the field.
- The parts which touch the fertilizer directly and are exposed to corrosion like the base plate, propeller blades and propeller table fertilizer are made of stainless steel.
- There is a screen available on top of the tank so it prevents that hard objects damage the system.
- There is a wheel system for ease of transport and installation.
- The shafts have a shielded and sliding system for human safety (CE).
- On the surface cleaning before the painting a zinc phosphate system is used, then it is painted and dried indoors. Thus the life of the metal surfaces against oxidation arising from natural conditions and their resistance is increased.
- When compared to the competitors, this work performance technical superiority, one can save on time, fuel and labor and the emerging crop is less.



#### BROADCASTERS SPECIFICATION AND GENERAL DIMENSIONS

TECHNICAL SPECIFICATION		TYPES		
		Single Disc-broad		
		G1-600	G1-800	G1-1000
Hopper Volume	lt	615	815	1.015
Maximum Length	mm	1.225	1.225	1.330
Maximum Width	mm	1.772	1.772	2.200
Maximum Height	mm	1.430	1.575	1.650
Hopper Length	mm	886	886	886
Hopper Width	mm	1.772	1.772	1.772
Spreading Width (max)	m	30-22	30-22	30-22
Working Width (Nitrate-Urea)	m	21-15	21-15	21-15
Net Weight	kg	207	227	240
Discs Diameter	mm	535	535	535
Number of revolutions of discs	rpm	720	720	720
Number of Blades	pcs	2	2	2
Disc Height for Fertilizing	mm	800	800	800
Off Shaft Length	mm	850	850	850
Pto-speed	1/min	540	540	540

TSE Standart No: 5675

The quality of the material and the dimensions of YTAGRI Fertilizer machine are produced in accordance with the TS (Turkish Standarts) 5675 and the Machinery Safety Legislation (CE).

# TWIN DISC FERTILIZER SPREADER

YTAGRI disc fertilizer spreader is an ideal machine that can broadcast the fertilizer-by means of its winnowing disks and wings on ideal distance in a balanced and regular manner and in this way it provides the maximum benefit of the amount of fertilizer used.

The fertilizer norm is adjusted by changing with the adjusting handle the opening of the lids at the bottom of the high-capacity tank where the minerals and powder fertilizer are placed.

The distribution of the fertilizer over the farm is better because of the twin discs. As the distance where the fertilizer is broadcast is long, savings are made on the time and as the distribution uniformity is good, savings are made on the fertilizer to be used.



**YTAGRI**



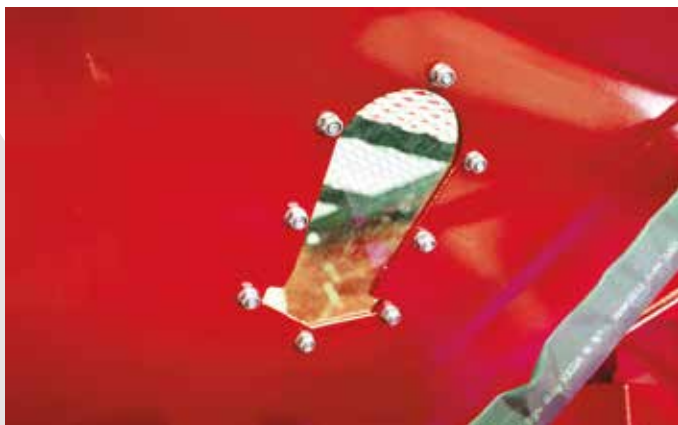
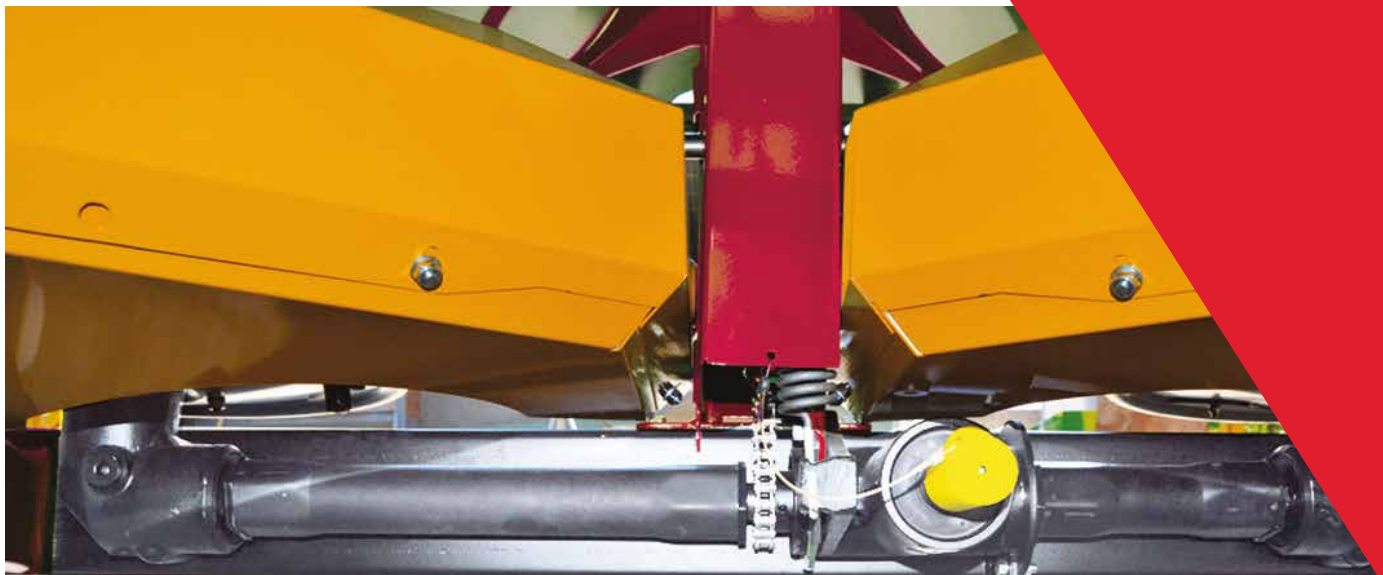
TECHNICAL SPECIFICATION	T-CDGS 800	T-CDGS 1000	T-CDGS 1200
Machine Code (Order number)	20801106	20801205	3080110
Hopper Volume	0,8 (m <sup>3</sup> ) /800 Lt.	1 (m <sup>3</sup> ) /1000 Lt.	1,2 (m <sup>3</sup> ) /1200 Lt.
Overall Width (mm)		1680	1890
Overall Length (mm)		1340	1400
Overall Height (mm)	1030	1230	1320
Number of Wings on Dispensing Discs		2	
Number of Openings on the Fertilizer Tank		2	
Machine Weight (kg)	215	230	275
P.T.O. Shaft Rotations (max)(min-l)		540	
Required Tractor Power (HP)	35-40	40-45	50-55

We reserve our rights to make changes in designs, specifications and features without prior notice.

# CGSA SERIES







TECHNICAL SPECIFICATION	CGSA 900	CGSA 1200	CGSA 1500	CGSA-T	CGSA-TT
Width (mm)	2130	2380	2350	2580	2580
Length (mm)	1400	1510	1400	2630	3290
Height (mm)	1300	1420	1600	2280	2450
Loading Height (mm)	1050	1120	1300	2200	2370
Hopper Capacity (Lt)	970	1280	1550	2350	2350
Machine Weight (kg)	360	395	408	770	913
Working width (m)	18/24				
Hydraulic Control	Standard				
Inox Disc	Standard				
Inox Throwing Wings	Standard				

We reserve our rights to make changes in designs, specifications and features without prior notice.

# ROTARY SLASHER

YTAGRI Rotary Slasher is an ideal machine used in reaping and cutting the stalks of the green, dry plants and any kind of weeds and the ones sown in rows such as cotton and in leaving them on the surface of the soil (mulching).

In this way, an environmentally friendly solution is provided as organic materials are obtained from the cut plant residues and the humus content of the soil is enriched and also the improved soil structure provides the most suitable place for the plants to be grown.

The machine is connected to the three point hitch system of the tractor. The rotation motion obtained from the tail spindle through the articulated shaft is transferred to the gear box and here the motion is transferred to the blades after a direction change of 90°.

The cutting height is adjusted by means of skids and supporting roller.

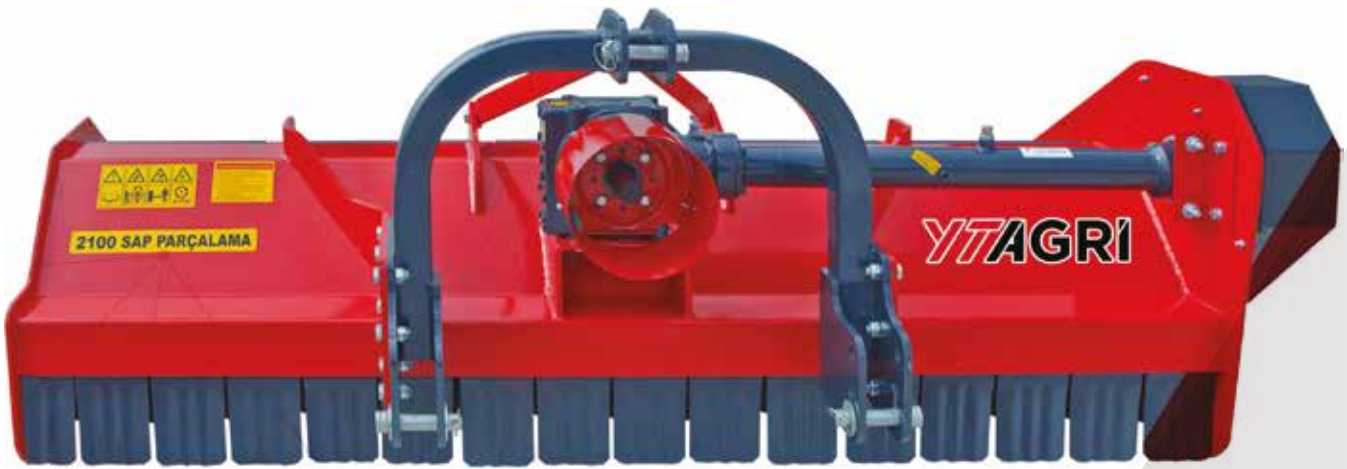




TECHNICAL SPECIFICATION	T-TSP S1200	T-TSP S1500	T-TSP SX1500	T-TSP SX1800
Machine Code (Order number)	20302101	20302201	20302202	20302301
Working Width (mm)	1150	1410	1457	1776
Overall Width (mm)	1285	1645	1650	1930
Overall Length (mm)	1550	1760		2120
Overall Height (mm)	540			980
Number of Blades	2		3	
Capacity	7,5-8	9,5-11	10-12	12-15
Machine Weight (kg)	200	260	320	410
P.T.O.(min) Shaft Rotations (max)	540			
Required Tractor Power (HP)	35-40	40-45	50-55	60

We reserve our rights to make changes in designs, specifications and features without prior notice.

# FLAIL MOWER



YTAGRI Flail Mower is an important equipment that is driven by the tractor tail spindle and connected to it with three point hitch system. It works vertically on the surface of the soil and it cuts the stalks of the plants such as wheat, sunflower, cotton, unshelled rice, tobacco and thicket and the branches of the pruned fruit trees and vine shots performs the recycling of them as organic fertilizer. It preserves the cutting height, strength of the blades and balance sensitivity even though the surface of the soil is uneven thanks to its skids on the sides and its roller at the back.

Another of its model is also manufactured, T-DSPH (Hydraulic Mulcher with Vertical Blades) that makes it possible to slide the machine through tractor hydraulic arms within control to provide an ease of use in orchards and vineyards. The height is adjusted on the roller also in this model.

Moreover, by creating backward working possibility in crushing of spiky bushes and branches through bi directional pulling system, which allows both forward and backward working optionally, it both minimizes the damage in trailer wheels and provides great facility in crushing on branches, which are squashed under wheels in forward working, bury in the ground and become hard to be collected.



TECHNICAL SPECIFICATION	T-DSP 1400	T-DSP 1600	T-DSP 1850	T-DSP 2100	T-DSP 2400	T-DSP 2600	T-DSPH 1600	T-DSPH 1850	T-DSPH 2100	T-DSPH 2400
Machine Code (Order number)	20311117	20311220	20311320	20311424	20311525	20311620	20311219	20311319	20311423	20311525
Working Width (mm)	1400	1600	1850	2100	2400	2600	1600	1850	2100	2400
Overall Width (mm)	1550	1800	2050	2300	2550	2800	1800	2050	2300	2550
Overall Length (mm)	1275									
Overall Height (mm)	900									
Number of Blades	16	18	20	22	24	26	18	20	22	24
Machine Weight (kg)	510	540	640	700	760	800	580	680	740	800
P.T.O. Shaft Rotations (max) (min-1)	540									
Required Tractor Power (max)	35-40	40-45	45-50	50-55	55-65	70	40-45	40-50	50-55	55-65

We reserve our rights to make changes in designs, specifications and features without prior notice.

# REAPER BINDER

The Reaper-binder which is driven by the power-take-off drive of the tractor and easily attached to the tractor by its three-point hitch is a very useful and practical machine that needs very little maintenance and it reaps and binds the crops such as wheat, wheat grained barley, oat, rye and leaves them collectively on the farm at regular intervals. The cutting height which is adjusted by its hydraulic sleeves automatically preserves its level in accord with the unevenness with the help of a spring.

The machine parts are protected with a safety mechanism against the possible overloads.





TECHNICAL SPECIFICATION		T-BB
Machine code (Order number)		20600001
Overall Length (mm)	Transportposition	3460
Gesamtlänge (mm)	Working position	1900
Overall Width(mm)	Transport position	1900
Gesamtbreite (mm)	Working position	3470
Overall Height (mm)		1050
Reaping Width (mm)		1400
Reaping Height (mm)		Adjustable
Linkage of Suspension System		Category 2
Capacity (da/h)		0.585
Machine Weight (kg)		385
P.T.O. Shaft Rotations (max) (min-l)		540
Required Tractor Power (HP)		35-45

We reserve our rights to make changes in designs, specifications and features without prior notice.



Working speed of machine depends on the conditions of land and plant status. Working speed affects the capacity for this reason values of capacity according to the optimal working speed are given in table. When the work efficiency of machine is calculating, working speed has determined 5 km/h.

# FORAGE HARVESTERS

## KEKE 120-125

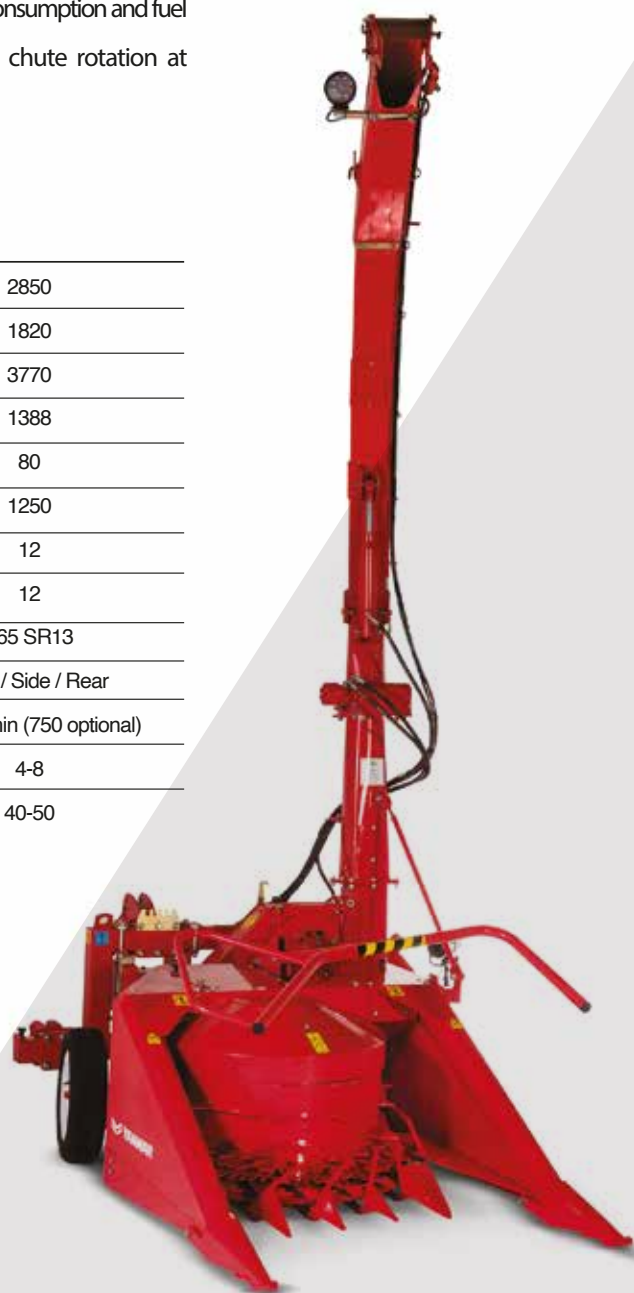
High-quality blades in KE 125 ensure high efficiency and uninterrupted performance. Qualifications of forage harvester offer the highest yield from the crop, low power consumption and fuel saving. The hydro-motor with the speed-adjustment feature provides 3600 rpm rotation at desired speeds.

### TECHNICAL SPECIFICATION

Length	mm	2850
Width	mm	1820
Height	mm	3770
Weight Approx	kg	1388
Minimum Power Requirement	hp	80
Working Width	mm	1250
Number of Flywheel Wings	pcs	12
Number of Chopper Blades	pcs	12
Tyre Specification		165 SR13
Mounting Positions		Front / Side / Rear
PTO	rpm	1000 U/min (750 optional)
Chopping Diameter	mm	4-8
Productivity	t/h	40-50

We reserve our rights to make changes in designs, specifications and features without prior notice.

\*When the work efficiency of machine is calculating, working speed has determined 4-6 km/h which are the optimal values for silage adopted as 8-10 ton/da. Such as the conditions of land and plant status affects the working speed and crop yield; for this reason variable value that depends on the working speeds and crop yield.



**YTAGRI**





High-quality blades in forage harvester ensures high efficiency and uninterrupted performance.



KE 125 row independent maize choppers have hydraulically controlled chute. Chute position can be changed by the operator from the tractor.



Row Independent Maize Chopper also puts an end to the biggest problem of opening roads in the cropland first while using the single-row machines. In addition, the major accidents that occurred as a result of manual feeding in single-row machines were.



# ROTARY DRUM MOWER

It reaps all kinds of feed plants, grass, meadow grass, heath and wild plants bordering the roads with blades rotating at a high annulus velocity and existing in both of the 2 drums rotating reversely to each other and leaves them behind in the form of barrel.

With the advantage of adjustable cutting height and the high quality of the cutting height, the nutrient values of the plant are preserved and drying is made possible in a short time.

With its little power requirement, it operates in a high quality manner without tiring the tractor.  
The belts are tightened by means of a spring and thus the safety is ensured on the pulley mechanism.  
Its adaptation to the unevenness of the ground is highly successful.



**YTAGRI**



TECHNICAL SPECIFICATION	T-TCBM 1350	T-TCBM 1650	T-TCBM 1900
Machine code (Order number)	20401103	20401204	20401304
Working Width (mm)	1350	1650	1900
Transport Width (mm)	1175	1518	1500
Transport Length (mm)	2962	3185	3456
Overall Height (mm)	990	1075	1035
Number of Drums	2		
Number of Blades	6		
Optimal Working Speed (km/h)	5 - 7,5		
Capacity (da/h)	0,55 - 0,8	0,65-1	0,75 - 1,15
Machine Weight (kg)	385	422	1900
P.T.O Shaft Rotations (max) (min-1)	540		
Required Tractor Power (HP)	30	40	50

We reserve our rights to make changes in designs, specifications and features without prior notice.

Working speed of machine depends on the conditions of land and plant status. Working speed affects the capacity; for this rea capacity according to the optimal working speeds are given in table.

Avg. Cutting height is 5 cm. and depending on the conditions of land and user's skil.

# ROTARY DISC MOWER

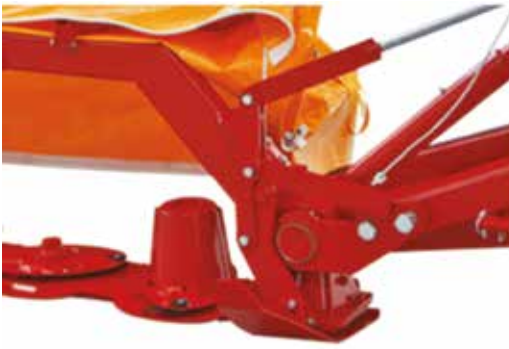
YTAGRI Rotary Disc Mower is the MOST IDEAL machine type especially for the feed plants growing horizontally such as vetch, white clover, Lotus comiculatus and for reaping all kinds of meadow, pasture and feed plants and wild plants with the effect of the air current formed during the rotate of the discs.

It is driven by the tractor tail spindle and connected to it with three point hitch system. The movement is transmitted serially through its four fold belt pulley. The machine has 4- 5-6 disc models. It has a safety mechanism against the damage which may occur if it hits a hard and big object (tree, stone, etc). it reduces the damage to a minimum by moving backwards when it hits an object. The Disc Drum Mower rises up by hydraulic system. So the machine stays behind the tractor in transport position. Grass-cutting is performed on sloppy grounds after the machine is made suitable to the slope through the hydraulic piston. The grass that has been cut can be picked according to the desired sizes by the direction changer part that is connected to the rear part of the machine.

It provides a very low and high-quality cutting on the evened ground where it leaves spread the grass it has reaped with its high-quality cutting by leaving a one-type stubble.



**YTAGRI**



TECHNICAL SPECIFICATION	T-DCBM 4	T-DCBM 5	T-DCBM 6
Machine code (Order number)	20402001	20402002	20402003
Working Width (mm)	1626	2006	2386
Transport Width (mm)	1260		
Overall Height (mm)	2390	2770	3150
Number of Discs	4	5	6
Number of Blades	8	10	12
Optimal Working Speed (km/h)	5-6		
Capacity (da/h)	0,65 - 0,8	0,8-1	1 - 1,2
Machine Weight (kg)	445	465	475
P.T.O Shaft Rotations (max) (min-l)	540		
Required Tractor Power (HP)	40	50	60

We reserve our rights to make changes in designs, specifications and features without prior notice.

Working speed of machine depends on the conditions of land and plant status. Working speed affects the capacity; for this rea values of capacity according to the optimal working speeds are given in table.  
Avg. Cutting height is 5 cm. and depending on the conditions of land and user's skill.

# ROTARY RAKE

YTAGRI hay rake with rotors is an IDEAL MACHINE that facilitates the picking and the baling with the grass picking trailer or baling machine by forming the harvested feed plants in barrels arranged at regular intervals. It has a high manoeuvrability and has little power requirements and wide range performances. It performs a high-quality picking by leaving clean stubble as it doesn't leave any stone or similar objects in the grass that has been picked.

The rake arms that constitute the picking unit of the machine are attached to the conveyor slots after being disassembled; in this way, the total length of the machine is minimized by folding suitably for safe transport.





TECHNICAL SPECIFICATION	T-OT 330-9	T-OT 370-9	T-OT 424-11
Machine code (Order number)	21501002	21501011	21501012
Working Width (mm)	3300	3400	4200
Transport Width (mm)	1400	1700	1800
Number of Arms per Rotor	9		11
Number of Double Fingers	3		4
Wheel Dimensions (in)			16 x 6,5-8
Number of Wheels	2	4	
Machine Weight (kg)	380	410465	520
Required Tractor Power (HP)	45		50

We reserve our rights to make changes in designs, specifications and features without prior notice.

# TWIN ROTARY RAKE

YTAGRI Twin rotor rake is an IDEAL MACHINE used to form barrels for facilitating the bale and picking of the feed plants that have been reaped on the farm. It has a high manoeuvrability and it makes saving on the time and the fuel thanks to its little power requirements and wide range performances.

As its picking springs don't touch the ground, the ground structure and the roots of the feed-plants are preserved. It performs a high-quality picking by leaving clean stubble as it doesn't leave any stone or similar objects in the grass that has been picked.

It is easily suited to road location thanks to its hydraulic fold system; in this way, the total length of the machine is minimized by folding suitably for safe transport.

The machine width is below 3 metres on the road.



**YTAGRI**





TECHNICAL SPECIFICATION	T-COT 655
Machine code (Order number)	21501008
Working Width (m)	6,15-6,55
Transport Width (m)	3
Overall Length (m)	3.36
Diameter of Rotor	2.9
Numbers of Rotor	2
Wheel Dimensions (in)	16 x 6,5-8
Number of Wheels	8
Machine Weight (kg)	985
Required Tractor Power (HP)	70-80

We reserve our rights to make changes in designs, specifications and features without prior notice.

# ROTARY TEDDER

YTAGRI Tedder spreads mown fodder crops and ensures rapid drying without having fodder crops to lose their nutritional value; thus allows multiple harvests within the year since fodder crops are removed in a short period of time.

It saves time and labour with its high range of work and saves fuel with its low power demand. It has highly manoeuvrable wheels. Maintenance and repair of the machine is quite easy thanks to its simple structure.

The machine is folded into the road mode easy thanks to the hydraulic folding system; thus, total length of the machine is minimized for safe transportations by folding. Machine width is less than 3 m when in road mode.



**YTAGRI**



TECHNICAL SPECIFICATION	T-OD 554	T-OD 554C	T-OD 696	T-OD 315
Machine code (Order number)	22000002	22000003	22000004	22000007
Working Width (m)	5,5		6,9	2,7
Transport Width (m)	2,95		2,85	3,4
Number of Discs	4		6	2
Number of Tines in Each Disc	7		6	7
Wheel Dimensions (in)	16 x 6,5-8			
Number of Wheels	4		6	2
Machine Weight (kg)	710	630	890	360
Required Tractor Power (HP)	50-60		70-80	40

We reserve our rights to make changes in designs, specifications and features without prior notice.

# VERTICAL MIXER FEEDER

YTAGRI Vertical Mixer-Feeders; are designed to bring various animal feed into a homogenous mixture and to distribute this mixture to the animals with its robust, strong and reliable structure and easy use. All options of vertical feed mixers of appropriate capacity for all kinds of small, medium and large scaled enterprises are available with quality and privilege of YTAGRI.

Vertically operating auger system ensures grinding and cutting of round and square bales thanks to the custom alloyed and custom designed knives on it and mixing then homogeneously with other rough and thick feed. Thanks to special design of auger and the body, there are no blind points on the machine and therefore no feed remains in the bucket after discharge. This special design required much lower power with the durable transmission box system used. Thanks to electronic digital scale system available optionally, the feed loaded in the machine may be weighed with high sensitivity and rations are prepared correctly.



**YTAGRI**

TECHNICAL SPECIFICATION	T-DYKM 1,5	T-DYKM 2
Machine code (Order number)	31802101	31802103
Volume	1.5	2
Drive System	Gearbox	
Auger system	Vertical	
Number of Augers (Pcs.)	Single	
Auger Speed (Rpm)	40	
Overall Height	1800	2170
Overall Width	1700	
Overall Length	1400	
Hydraulic Pressure System	From tractor	
Weighing System	-	
Discharge System	Hydraulic discharge cover	
The Thickness of the Side Sheet Metal of Frame	4	
The Thickness of the Bottom Sheet Metal of Frame	8	
The Thickness of the Sheet Metal of Auger	8	
Number of Rigid Knives (Pcs.)	2	
Number of Coulter Knives on the Auger (Pcs.)	7	
Wheels	150 mm (4 Pcs)	
Unladen Weight	520	540
P.T.O. Shaft Rotations (Rpm)	540	
Minimum power requirement for PTO (HP)	5	5-10



Model	T-DYKM 2	T-DYKM 3	T-DYKM 4	T-DYKM 6	T-DYKM 8
Machine code (Order number)	31802105	31802201	31802202	31802302	31802402
Volume	2	3	4	6	8
Drive System	Gearbox				
Auger system	Vertical				
Number of Augers (Pcs.)	Single				
Auger Speed (Rpm)	40				
Overall Height (Dipper down)	1860	2150	2375	2500	2885
Overall Height (Dipper up)	2670	3220	3400	3700	4100
Overall Width	1850	2650		-	
Overall Width (Double band opened)				2250	2250
Overall Length (Dipper down)	3900	4400		5500	5600
Overall Length (Dipper up)	3340	3900		3300	3500
Dipper width	1200	1300			
Hydraulic Pressure System	Optional	Standard			
Weighing System	Optional				
Discharge System	Hydraulic	Band conveyor optional		Band conveyor	
Double Sided Discharge				Standart	
Dipper System	Standart				
The Thickness of the Side Sheet Metal of Frame	5	6			
The Thickness of the Bottom Sheet Metal of Frame	8	16			
The Thickness of the Sheet Metal of Auger	8	10			
Number of Rigid Knives	2				
Number of Coulter Knives on the Auger (Pcs.)	7	7	7	7	8
Wheels	10/75-15.3			10/75-15.3	12.5/80-15.3
Unladen Weight	1050	1920	1970	2660	2800
P.T.O. Shaft Rotations (Rpm)	540				
Minimum power requirement for PTO (HP)	20	25	30	40	50

We reserve our rights to make changes in designs, specifications and features without prior notice.

# HORIZONTAL MIXER FEEDER

YTAGRI Horizontal Mixer-Feeders; are designed to bring various animal feed into a homogenous mixture and to distribute this mixture to the animals with its robust, strong and reliable structure and easy use. All options of horizontal feed mixers of appropriate capacity for all kinds of small, medium and large scaled enterprises are available with quality and privilege of YTAGRI.

Horizontal feed mixers are moved by a tractor via an articulated shaft. They are connected to the tractor and carried with a drawbar. The movement is transmitted to the augers by gears located at the front side of the machine as to rotate reversely.

When the machine is in stable status, various materials loaded in the reservoir by a dipper located at the back are mixed with augers.

In addition, thanks to numerous knives located on the augers grinding process is performed. Mixed materials are discharged in the animal feeders at the desired quantity from the side of the machine by means of a pallet transmitter moved by a hydraulic motor.



**YTAGRI**



TECHNICAL SPESIFICATION		T-YYKM 6	T-YYKM 8	T-YYKM 10	T-YYKM 12
Machine code (Order number)		31801203	31801303	31801403	31801503
Volume (m <sup>3</sup> )		6	8	10	12
Transmission System		Planet Gearbox			
Auger system		Double on the Base			
Bucket Dimensions	Width (mm)	1700	2000		
	Height (mm)	1800	1850		
	Width (mm)	3000		4000	4500
Total Dimensions	Height (mm)	2100		2110	
	Width (mm)	2300	2500	2550	
	Height (mm)	5000		6150	6650
Hydraulic Pressure System		Standart			
Dipper System		Standart			
Weighing System		Optional			
Double Sided Discharge		Optional			
The Thickness of the Side Sheet Metal of Frame(mm)		10			
The Thickness of the Sheet Metal of Auger		6			
Number of Knives on the Auger		56	48	72	80
Number of Coulter Knives on the Auger		30	26	38	42
Wheels		10 / 75-15.3	12.5 / 80-15.3	400 / 60-15,5	
Unladen Weight (kg)		3100	3850	4600	5200
P.T.O. Shaft Rotations (max) (min-l)		540			
Required Tractor Power (KW /HP)		40	50	60	70

We reserve our rights to make changes in designs, specifications and features without prior notice.

# VIBRATING SUBSOILER

The problem of soil compaction and soil structure degradation increases with the increased mechanization in the orchards, vineyards and farms.

With YTAGRI Vibrating Subsoiler which uses the most effective method against the footstones;

- The soil structure gets better with the elimination of the impermeable layer that prevents the plant's root development.
- The water and the minerals in the soil are made to penetrate into the depths of the plant's root and the rain water and irrigation water into the depths of the soil.
- The product yield and the economical value of the plant increases.
- A natural motion with transmission = less propelling force requirement.

YTAGRI Vibrating Subsoiler is an ideal machine as it shatters, loosens and swells the soil deeply thanks to its vibrating ploughshare.



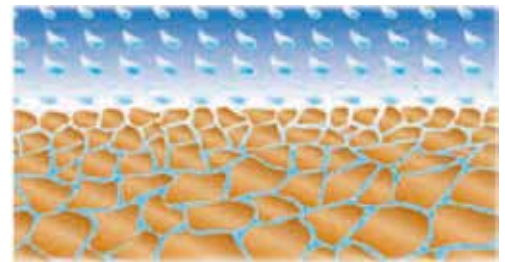
**YTAGRI**





TECHNICAL SPECIFICATION	T-TD
Machine code (Order number)	21001001
Working Depth (mm)	Max. 600
Overall Width(mm)	680
Width of vibrating body (mm)	358
Machine Weight (kg)	260
P.T.O. Shaft Rotations (max) (min-1)	540
Required Tractor Power (HP)	60

We reserve our rights to make changes in designs, specifications and features without prior notice.



Prevents water erosion.



Prevents undesirable effects of compacted zone.

# MECHANICAL & HYDRAULIC POST HOLE DIGGER

Nursery planting, in planting of olive, fruits, hazelnuts and other trees. Hole digging areas, hole digging, in mounting of wire diggings. it is an ideal machines when the right driller is chosen.

Hole digger able to tractors three point system and assemble to tractor. It take move from movement axle with shaft.

Hole digger with Hydraulic Piston is very high performance when is digging hole, through hyrdolic piston to make easy power transfer and it is very useful an agricultural machine. When is digging you can you can manage depend to area hardness with control bar.

\*The work efficiency of machine is a variable value that depends on the condition of soil and applied strength to machine.



**YTAGRI**



TECHNICAL SPECIFICATION	T-TB M	T-TB H
Machine code (Order number)	31600000	36100001
Working Depth (mm)	1000	
Machine Weight (kg)	160	170
P.T.O. Shaft Rotations (max) (min-l)	540	
Rotations of the gearbox output shaft (rpm)	60	
Required Tractor Power (HP)	45	

Hole digging capacity of augers.

#### Mechanical Post Hole Digger

Diameter (cm)	Working capacity (holes/per hour)
25	45
30	30
35	25
40	20
45	20
50	15
60	10

#### Hydraulic Post Hole Digger

Diameter (cm)	Working capacity (holes/per hour)
20	80
30	70
40	60
45	50
60	40

We reserve our rights to make changes in designs, specifications and features without prior notice.

# CONVENTIONAL PLOUGH

- Excellent plough-tractor balance.
- Simple and strong design for all land conditions.
- Big variety of working width choice for all tractor horse powers.



**YTAGRI**



Conventional Plough

MODEL	CLEARANCE (CM)	DISTANCE BETWEEN BEAMS (CM)	WORKING WIDTH (CM)	WORKING DEPTH (CM)	WEIGHT (KG)						POWER REQUIREMENT (HP)					
					1	2	3	4	5	6	1	2	3	4	5	6
SP07	60	60	22	18	108	145	208	316	394	435	20-25	20-25	30-40	35-40	50-60	60-70
SP08	61	60	23,5	20	118	165	232	348	440	520	20-25	20-25	30-40	40-50	50-60	65-75
SP09	66	64	24,5	22	140	205	288	440	553	670	20-25	30-40	45-50	50-60	60-70	70-80
SP10	68	70	25,5	24	175	215	320	493	620	760	25-30	30-40	45-50	70-80	80-90	80-90
SP11	68	70	27,5	24	176	221	331	511	638	770	25-30	30-40	50-55	70-85	85-95	90-110
SP12	68	76	30	26	177	226	341	523	654	800	30-35	40-50	55-60	70-85	90-100	95-115
SP13	68	77	32,5	28	177	238	349	530	665	814	30-35	40-50	55-60	70-85	90-100	105-120
SP14	68	78	35	28	177	244	360	547	680	830	35-40	40-50	60-70	80-90	90-100	110-125
SP16	68	81	37,5	30	204	272	417	619	803	916	40-45	50-60	70-80	80-90	100-110	125-135
SP18	68	84	40	32	220	308	485	715	890	962	45-50	60-70	80-90	90-100	100-120	135-150

Upon the needs of customers we keep the right to make changes on the product specifications.

# CULTIVATOR WITH SPRING AND CRUMBLER COMBINATION

YTAGRI developed spring cultivator- rotary harrow combination in parallel with technological developments in preparing seed bed. Operating depth which is demanded sensitively is obtained with this new tool. It is provided that the soil is protected and the erosion is prevented. It maximizes conserving the moisture and water intake capacity. For unit operating dept, some functions are fulfilled with least oil fuel. it is very effective against weed struggle. Land surface is recommended by breaking clods into pieces with rotary harrow. So that the seed is grassed and begins to develop, an ideal environment is constituted in the soil.

## RECOMMENDATIONS:

While the tool is in working condition at the end of parcel, manoeuvre must never be made. While this tool is connected to truck, it must not be moved back. Depending on soil characteristics, the most proper operating speed must be determined between 8-12 km/hours. If operation is made with this tool for the first time, it is necessary to control and compress all bolts and studs at the end of day. YTAGRI tools have vibrating settings and following rotary harrow. By this means, seed bed treated in the same depth is prepared. it is diversified according to the needs of Turkish farmers and it has operating depths changing until 3.35 m. Type and technical characteristics of seed bed cultivators in our production program are given.

## USED TOOL:

Flat section and spring stays are heat-processed and are made of special spring steel. By this means, it has vibrating characteristics in operating conditions.



**YTAGRI**



Crumbler Combinations

TECHNICAL SPECIFICATION	YKT 17	YKT 19	YKT 21	YKT 23	YKT 25	YKT 27	YKT 29	YKTM 17	YKTM 19	YKTM 21	YKTM 23	YKTM 25	YKTM 27	YKTM 29
Working Width (mm)	2000	2200	2450	2700	2900	3150	3350	2100	2350	2600	2850	3000	3250	3450
Machine Weight (kg)	290	325	350	405	405	430	455	490	530	570	600	650	685	710
Required Tractor Power (HP)	35	45	50	65	65	70	75	45	55	60	70	80	85	90

We reserve our rights to make changes in designs, specifications and features without prior notice.

# SUPER CULTIVATOR

YTAGRI is an expert foundation on soil cultivation and seed bed preparation. YTAGRI provides modern equipment, more than 40 types, to the services of our farmers for the soil cultivation. All these equipment is carried out as per the main criteria of YTAGRI Quality, Long Life and Nature Friendly. In parallel with the technological developments in preparation of seed bed, YTAGRI has developed super spring cultivator and rotary hallow combination.

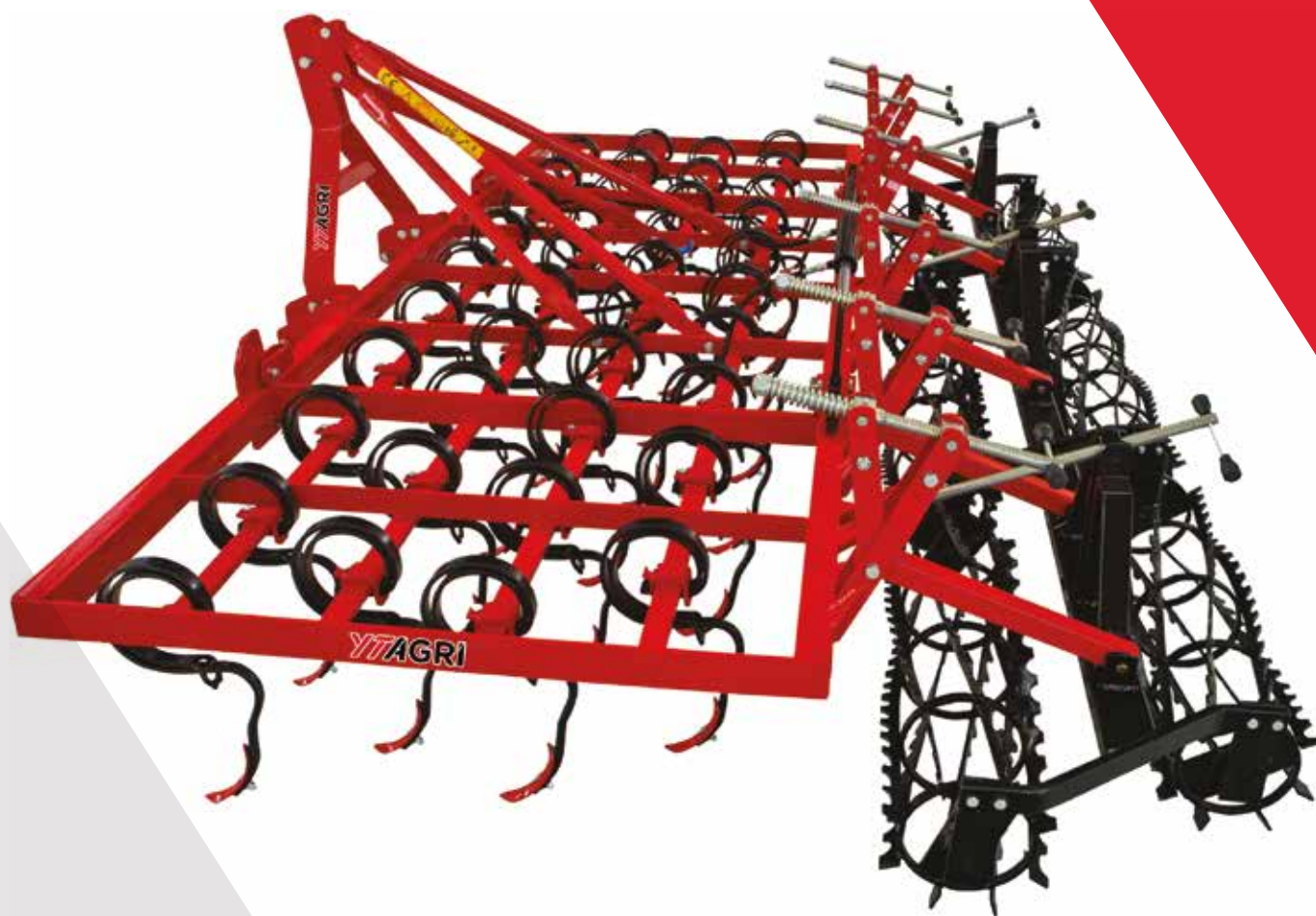
**HYDRAULIC FOLDABLE PARTS:** There are hydraulic cylinders to carry bigger equipment wider than 3-meter and to provide opening while operating. So, seed bed combinations can be transported easily in folded position in narrow streets.

**USAGE AIMS:** In this stage, these processes can be performed: preparation of seed bed, smoothing the field surface, mixing the fertilizer to soil, stubble processing, weeding processing. The string feet are treated in heat process and made of steel. So, it has vibration feature in various working conditions.

**WORKING SPEED:** The suggested working speed for super string cultivator and rotary harrow combination is 12 km/h in sandy and light soils.







With Roller

TECHNICAL SPECIFICATION	YKT 35	YKT 40	YKT 45	YKT 50	YKT 54	YKT 60	YKT 64	YKTM 35	YKTM 40	YKTM 45	YKTM 50	YKTM 54	YKTM 60	YKTM 64
Number of Tines	35	40	45	50	54	60	64	35	40	45	50	54	60	64
Working Width (mm)	3500	4000	4500	5000	5500	6000	6500	3500	4000	4500	5000	5500	6000	6500
Machine Weight (kg)	600	730	820	910	1100	1210	1310	900	1100	1210	1320	1600	1750	1900
Required Tractor Power (HP)	75	80	90	110	120	135	160	90	100	110	120	150	170	180

We reserve our rights to make changes in designs, specifications and features without prior notice.

# CULTIVATOR WITH SPIRAL SPRING

It swells the soil without turning over it. Since double helix wound square spring stays vibrate in the soil, it serves preparing demanded seed bed. Due to the fact that the root is high and clearance between stays is big, blockage does not occur in stubble processing. Edge irons with narrow edge and having sweep shape in stubble processing and loosening the soil in the spring can be used in hard and grazed soil conditions successfully. Chassis height in spiral spring cultivators is 72 cm, chassis heights are produced in the tools of 52 cm depending on the purpose of farmer usage and truck powers. Operating depth in the cultivators which are produced with two or three serial optionally changes between 25-40 cm. It may be possible that every part of vineyards, citrus fruits gardens and olive groves are treated in full with three hitches, with sliding 2 serial and narrow cultivators. In addition, if specified in the order, roller group and retaining wheel can be added to this tool.

**Usage purposes:** Spiral spring cultivator swells the soil without turning over it in cultivation depth and mixes it. It mixes stubble, plant residuals and fertilizer in the soil in the most proper way. In addition to this, it provides a good protecting coating against water and wind erosion when they stay in the soil surface partially.

**Used Material:** Square spiral stays are made of heat treated tempered steel. Thanks to the given special shape, it has vibration characteristics.





MODEL	Number of Tines	Chassis Height (mm)	Working Width (mm)	Machine Weight (kg)	Required Tractor Power (HP)
SYK 7	7	750	1700	310	50
SYK 9	9		2200	390	60
SYK 11	11		2700	470	75
SYK 13	13		3200	560	90
3SYK 13	13		2800	675	90
3SYK 15	15		3250	745	110
3SYK 17	17		3700	815	120
SYKD 9	9	550	2150	300	50
SYKD 11	11		2650	350	60
SYKD 13	13		3000	410	70
3SYKD 13	13		2750	480	80
3SYKD 15	15		3050	520	90
3SYKD 17	17		3450	600	100
Single Piston Hydraulic Folded					
3SYKD 19	19	550	3900	850	110
3SYKD 21	21		4350	930	120
3SYKD 23	23		4750	1110	130
Double Piston Hydraulic Folded					
3YK 19	19	750	4150	980	130
3YK 21	21		4600	1080	140
3SYKD 25	25	550	5200	1250	160
3YKD 27	27		5600	1400	170

# CHISEL PLOUGH

Since it swells the soil without turning over it, decomposition of organic materials is too slow and damp soil is not removed to the top. Since stubble and plant residuals scratch the surface, a good upper layer composes. It is very effective against the weeds which are robust and develop root. It can be used successfully in heavy soils where other materials are insufficient in terms of quality and capacity. While chisel swells the soil in ploughing depth and stubble stays in the land surface, it provides a protective impact against water and wind erosion. If the soil is wet and damp, it should be avoided to use this tool.



**YTAGRI**



MODEL	Number of Tines	Angle of Penetration	Chassis Height (mm)	Working Depth (mm)	Furrow Distance (mm)	Working Width (mm)	Machine Weight (kg)	Required Tractor Power (HP)
CZ 5	5	30°	750	150-350	275	1500	320	40
CZ 7	7					2100	400	50
CZ 9	9					1800	510	70
CZ 11	11					3100	590	90
CZ 13	13					3600	670	110
3CZ 11	11					2500	680	90
3CZ 13	13					2900	760	110

Big Tines Chisel Plough

CZA 7	7	30°	870	150-350	150-350	2100	465	60
CZA 9	9					2800	585	90
CZA 11	11					3100	685	100
CZA 13	13					3600	880	120
3CZA 11	11					2800	780	110
3CZA 13	13					3300	980	140

Small Tines Chisel Plough

CZB 5	5	30°	600	150-350	150-350	1300	195	30
CZB 7	7					1900	270	40
CZB 9	9					2500	370	50

We reserve our rights to make changes in designs, specifications and features without prior notice.

# LIGHT TYPE CHISEL



- With the light and medium soil structures, it can plough the soil without a need for heavy plow.
  - Because of its light and compact structure, it can be used in gardens, yards, etc. with ease.
  - With the easily compatible structure of the joints and the edge-blades, it ploughs the soil to allow the water to transmit through effortlessly.
- By this way, roots of the plants, which are in the cultivation area, can easily reach the water and minerals for increasing the efficiency of the products.
- For the cultivating machines that can be used after itself, (Ex. Cultivator, Rotator, etc.) creates a loosened soil structure to help reducing both the time and the fuel used.
  - It has a strong skeletal structure. If any of the machine feet encounters an obstacle that can cause damage to machine's integrity, it leaps over the obstacle by cutting the safety pins installed on the joints.

LIGHT TYPE CHISEL (GARDEN TYPE) SPECIFICATION AND GENERAL DIMENSIONS

TECHNICAL SPECIFICATION		TYPES			
		BC5	BC7	BC9	BC11
Number of Rows	pcs	5	7	9	11
Distance Between Rows	mm	270	270	270	270
Working Width	mm	1.350	1.890	2.430	2.970
Front Frame Width	mm	1.040	1.260	1.800	2.340
Rear Frame Width	mm	1.580	1.800	2.340	2.880
Maximum Width	mm	1.580	1.800	2.340	2.880
Maximum Length	mm	1.300	1.300	1.300	1.300
Maximum Height	mm	1.160	1.160	1.160	1.160
Frame Height	mm	650	650	650	650
Max. Working Depth	mm	430	430	430	430
New Weight	kg	400	490	595	700
Weed Hoe Width	mm	60	60	60	60
Minimum Power Requirement	hp	60	85	110	135
Maximum Power Requirement	hp	100	119	135	165
Weight with Toothed Roller	kg	537	635	758	881

TSE Standart No: 6735

# CHISEL-SUBSOILER (HEAVY TYPE)

The quality of the material and the dimensions of YTAGRI Cultivator with Return springs are produced in accordance with the TS (Turkish Standards) 6735 and the Machinery Safety Legislation (CE).

In our country the tractor horsepower has increased in recent years. Produced in the previous year, lightweight, cast-footed chisels, in terms of resistance have remained weak, there were problems such as chassis twist and wrist breaking. We have developed Heavy Duty Chisel in accordance with the ever growing tractor technology that is being developed and expanding in terms of horsepower. If required this Heavy Duty Chisel can be used as subsoiler provided the distance between the feet are reduced it can also be used as a cultivator for duplexing purposes. In this way, farmers can carry out few different things with one single equipment. The outstanding features of our Heavy Duty Chisels also referred to as Chisel Plows compared to plows can be listed as follows;

- As the work expansion and work profitability is high, it can plough a wider area with less fuel consumption
- The depth of the soil tillage, is so deep as to break the base stone (40-55 cm)
- It is removing smaller clod compared to plows,
- As it does not create a hard layer at the base as plows, it enables that the rainwater can go down to the lower layers, it also increases the soil's ability to hold water.
- By breaking the base of the plow the development of the root and the stock is increased. On the other hand, it enables the moisture to go to the upper layers, even though the moisture is underneath the soil, it is unable to go up to the upper layers because of the hardness of the base during dry seasons.

Even though the chisel has many outstanding features compared to the plow, it can not be used entirely instead of the plow. The plow has an outstanding feature such as such turning the soil upside and down and for that reason the plow should be used in 3-4 years. YTAGRI Heavy Duty Chisel, are produced in two different models. The model is aligned in 2 rows on 3 main chassis, it does not load on the hydraulic arm of the tractor and the working width is grater. Regarding the model whics is aligned in 3 rows on 4 main chassis, the soil and stubble residue viscosity is more easeful.



**YTAGRI**





CHISEL-SUBSOILER (HEAVY TYPE) SPECIFICATION AND GENERAL DIMENSIONS

TECHNICAL SPECIFICATION		TYPES			TYPES					
		DK1	DK2	DK3	CP5	CP7	CP9	CP11	CP13	CP15
Distance Between Rows	mm	930	930	930	310	310	310	310	310	310
Frame Width	mm	1.040	1.100	2.040	1.420	2.050	2.680	3.310	3.940	4.570
Working Width	mm	930	1.540	2.970	1.550	2.170	2.790	3.410	4.030	4.650
Maximum Width	mm	1.040	2.200	2.040	1.420	2.050	2.680	3.310	3.940	4.570
Maximum Length	mm	842	1.540	1.367	1.372	1.372	1.372	1.372	1.372	1.372
Maximum Height	mm	1.522	842	1.522	1.357	1.357	1.357	1.357	1.357	1.357
Frame Height	mm	955	1.522	955	790	790	790	790	790	790
Max. Working Depth	mm	713	955	713	550	550	550	550	550	550
Net Weight	kg	210	713	490	565	715	875	1.035	1.200	1.360
Weed Hoe Width	mm	60	341	60	60	60	60	60	60	60
Minimum Power Requirement	HP	50	60	130	60	85	110	135	160	185
Maximum Power Requirement	HP	100	100	150	100	119	135	165	195	225

TSE Standart No: 6735

# SUBSOILER

YTAGRI developed subsoiler tool in parallel with the development of soil cultivation methods. The usage of this tool can be arranged as follows:

- It provides cultivating soil with low costs.
- It brightens hard plow pan occurring in the land.
- It protects moisture by providing that rain water is absorbed by the soil and it prevents soil erosion from the surface.
- It realizes air, water and plant communication in the soil in the best way.

This tool's members which operate with soil are produced by being applied heat treatment from the alloyed steel whose permanent resistance is high.



**YTAGRI**



TECHNICAL SPECIFICATION	Standard DK	DDK
Number of Tines	1	1
Angle of Penetration	30°	
Chassis Height (mm)	800	800-1000
Furrow Distance (mm)	560-730	
Working Width (mm)	1800	3600
Working Depth Max. (mm)	700 (Fixed)	600-1000 (Adjustable)
Machine Weight (kg)	155	175
Required Tractor Power (HP)	60-90	60-110

We reserve our rights to make changes in designs, specifications and features without prior notice.

# SUPER SUBSOILER

YTAGRI has been rendering its accumulation in the soil cultivation tools to the service of Turkish farmers with a super subsoiler which is a new and modern tool. This tool makes blow up by penetrating into the depth of 1 meter to the bottom layers in the land in which floor is constituted. By this means, it is provided that the minerals in the depth of soil not to spread to the surface and to filter the ground water. The design and quality of the stays of blowing up is produced with YTAGRI Guarantee.



TECHNICAL SPECIFICATION	SDK 3	SDK 5	SDK 7
Number of Tines	3	5	7
Angle of Penetration	30°		
Chassis Height (mm)	800		
Furrow Distance (mm)	560-730		
Working Width (mm)	1800	3600	7
Working Depth Max. (mm)	600-1000 (Adjustable)		
Machine Weight (kg)	620	850	1350
Required Tractor Power (HP)	85-100	110-130	130-150

We reserve our rights to make changes in designs, specifications and features without prior notice.



# CULTIVATOR WITH COMPRESSION SPRING



- The interflow of the soil is eased, thus the fuel consumption of the tractor is reduced.
- There are no problems regarding the spring break and creep.
- By attaching the chisel tip it can carry out the duty of chise. By attaching an stubble hoe, it can carry out the task of a plow.
- The wrist height is higher, thus it can plough the field deeper.
- The front and rear foot distance is greater.
- The width between the two feet side by side has been increased.
- With this increase in the distance, the aim was to make the interflow of the soil much more comfortable, especially during the spring plough where moisture is increased.
- After the harvest there is usually no rain, but still the soil needs to be made ready for the cultivation process until the planting time. In such cases, where the soil is not ready, the narrow anchors (stubble anchor) are fitted and with the stubble anchor a better stubble ploughing can be carried out which is much better than the plow. By attaching (duplexing plows) it can be used for duplexing purposes.
- (Also these cultivators can be used as chisel by attaching chisel tips). Our cultivators can be combined with toothed harrow or toothed, palletized rotary harrow (cylinder) or can be combined with both.
- The duplexing plows which are working under heavy conditions made from wear-resistant quality steel product.
- The cultivator compression springs are composed of two 020 and 012 mm nested spring steel. The mounting fasteners on the chassis group are entirely manufactured from quality steel St 52.

\*The quality of the material and the dimensions of YTAGRI Cultivator with Compression spring are produced in accordance with the TS (Turkish Standards) 2384 and the Machinery Safety Legislation (CE).



#### CULTIVATOR WITH COMPRESSION SPRING SPECIFICATION AND GENERAL DIMENSIONS

TECHNICAL SPECIFICATION		TYPES				
		BY7	BY9	BY11	BY13	BY15
Distance Between Rows	mm	288	288	288	288	288
Frame Width	mm	1.888	2.434	3.040	3.636	4.212
Working Width	mm	2.016	2.592	3.168	3.744	4.320
Maximum Width	mm	2.016	2.682	3.258	3.834	4.410
Maximum Length	mm	1.780	1.780	1.780	1.780	1.780
Maximum Height	mm	1.365	1.365	1.365	1.365	1.365
Frame Height	mm	810	810	810	810	810
Base Ground Range	mm	710	710	710	710	710
Max. Working Depth	mm	500	500	500	500	500
Net Weight	kg	630	781	932	1.082	1.233
Weed Hoe Width	mm	378	378	378	378	378
Minimum Power Requirement	HP	49	63	77	90	104
Maximum Power Requirement	HP	76	97	119	140	162
Power Requirement with Harrow	HP	60	77	94	111	128
Power Requirement with Harrow	HP	66	84	103	122	140

TSE Standart No: 2384

# CULTIVATOR WITH VERTICAL SPRING





- By loosening the soil, it functions with tearing without overturning. It cuts the weeds from their roots thanks to its hoe-blades. It increases the water transmissivity by creating a loose soil at the depth of cultivation which is compiable with the soil structure.
- When the machine encounters a hard object, like rock, hard root, etc. during cultivating, the part that encounters this objects will cease to work for protecting itself and the blades installed with the help of pressure springs and passes over the hard object. After passing, it continues to function again.
- Thanks to the springs, the reverse force created when the cultivation occurs, is absorbed and any possible damage to tractor and the machine is prevented . As an addition to that, it increases the fuel efficiency.
- Endurance of most of the parts of this machine is strengthened with the appliance of heat treatments.

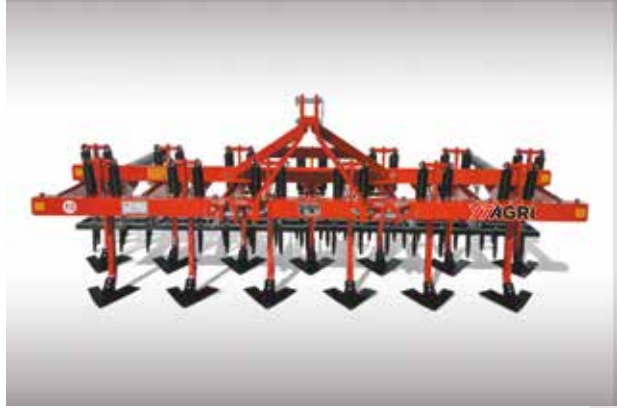


CULTIVATOR WITH VERTICAL SPRING SPECIFICATION AND GENERAL DIMENSIONS

TECHNICAL SPECIFICATION		TYPES					
		2 ROWS			3 ROWS		
		DBY209	DBY211	DBY213	DBY313	DBY315	DBY317
Number of Rows	pcs	9	11	13	13	15	17
Distance Between Rows	mm	240	240	240	240	240	240
Working Width	mm	2.350	2.850	3.400	3.400	3.900	4.400
Net Weight	kg	460	540	625	710	850	925
Working Depth	mm	200	200	200	200	200	200
Minimum Power Requirement	hp	75	85	95	95	120	140
Maximum Power Requirement	hp	85	95	115	115	140	170
Weight with Rotary Harrow	kg	821	923	1.1030	1.115	1.277	1.374
Weight with Tooth Harrow	kg	600	713	836	921	1.072	1.165

TSE Standart No: 2384

# CULTIVATOR WITH EXTENSION SPRING



- After the harvest there is usually no rain, but still the soil needs to be made ready the soil cultivation process until the cultivation time. In such cases, where the soil is not ready, the narrow anchors (stubble anchor) are fitted and with the stubble anchor a better stubble ploughing can be carried out which is much better than the plow.
- Again after the precipitation weed hoes (duplexing hoes) which are wider and which have a special sharpness can be used to clean the fields from unwanted weeds growing in the fields and to prepare the seed bed.
- Our cultivators, can be combined with toothed harrow or toothed, palletised rotart harrow (cylinder) or can be combined with both.
- Of course the design of our machines which is used for dual purpose is minimum 50% more resistant than the goosefoot which are produced for only stubble ploughing or duplexing.
- In the chassis material St 52 quality and superior steel is used.
- The feet are made of erosion-resistant, superior quality steel which are developed for ploughing while standing. These can carry out 2 times more field ploughing than their equivalents.
- Because of the wide distance between the feet and the height it can does not make obstruction ploughing.

\*The quality of the material and the dimensions of YTAGRI Cultivator with Return springs are produced in accordance with the TS (Turkish Standarts) 2384 and the Machinery Safety Legislation (CE).



CULTIVATOR WITH EXTENSION SPRING SPECIFICATION AND GENERAL DIMENSIONS

TECHNICAL SPECIFICATION		TYPES				
		CY7	CY9	CY11	CY13	CY15
Distance Between Rows	mm	240	240	240	240	240
Frame Height	mm	1.610	2.090	2.570	3.050	3.530
Working Width	mm	1.680	2.160	2.640	3.120	3.600
Maximum Width	mm	1.753	2.233	2.713	3.193	3.673
Maximum Length	mm	1.220	1.220	1.220	1.240	1.265
Maximum Height	mm	1.260	1.260	1.260	1.250	1240
Frame Height	mm	668	668	668	668	668
Base Ground Range	mm	588	588	588	588	588
Working Depth	mm	250	250	250	250	250
Net Weight	kg	390	480	570	690	790
Weed Hoe Width	mm	313	313	313	313	313
Minimum Power Requirement	HP	35	45	55	65	75
Maximum Power Requirement	HP	60	77	95	112	129

TSE Standart No: 2384

# CHISEL PLOUGH WITH SPRING



- As a primary ploughing tool, it is used as a deep soil cultivator.
- By breaking the pan that is created by the ploughing with the heavy plows, it gives opportunities to plants to grow roots more and prevents water to accumulate at the bottom of the soil.
- Because of its feature of ploughing the soil by loosening the soil, not by overturning it, the machine does not spoil the texture of the soil. It helps the stubble and the organic matters such as leftovers of the plants to remain on the surface.
- By helping to prepare seed beds, it helps fertilizers to diffuse effectively.
- Thanks to the springs installed, reverse forces occurring during the ploughing is absorbed and by this way the possible damage that can effect the tool and the tractor is prevented. As an addition to that, it increases the fuel efficiency.
- Most of the parts of this machine have been subjected to heat treatments in order to increase endurance.

## CHISEL PLOUGH WITH SPRING SPECIFICATION AND GENERAL DIMENSIONS

TECHNICAL SPECIFICATION		TYPES				
		DYC05	DYC07	DYC09	DYC11	DYC13
Number of Rows	pcs	5	7	9	11	13
Distance Between Rows	mm	256	256	256	256	256
Working Width	mm	1.750	2.400	3.100	3.800	4.500
Net Weight	kg	465	615	760	890	1.010
Working Depth	mm	400	400	400	400	400
Minimum Power Requirement	hp	55	75	90	120	140
Maximum Power Requirement	hp	70	75	110	140	180
Weight with Toothed Roller	kg	697	876	1047	1.204	1.351

TSE Standart No: 6735



**YTAGRI**

## BACK OF THE CULTIVATOR TOOTH HARROW

The quality of the material and the dimensions of YTAGRI Back of the Cultivator Harrows are produced in accordance with the TS (Turkish Standarts) 6974 and the Machinery Safety Legislation (CE).



- The toothed harrow which can be connected to the Cultivator and can function in a combined manner, is very efficient in shredding the large clods that were brought out by the cultivator plows and in the preparation of the seed bed by levelling the field surface.
- The roof group is made of U profile (size 50), the harrow teeth are obtained from 22x22 square steel materials through forging.
- The harrow tines are mounted with fiber nuts so that these are not loosened during operation.
- Again, our toothed, palletized rotating dredge which can be operated after being attached to the back of the cultivator and can function in a combined manner, is efficient in the fragmentation of large clods that have the interests of the anchor and the suppression of the field surface by leveling thus preparing the seed bed.
- The compression of the soil, leads to the better contact of the soil and the seed and therefore it leads to an increased rate of germination
- Corrosion and noise pollution is prevented by using roller bearing in the connecting point of the rotary drum section and the roof groups.
- The best use of toothed harrow and rolling harrow, if the tractor power is sufficient is the combination of Cultivator+toothed harrow+rolling harrow so the seedbed preparation that is normally carried out in a few operations can be carried out more efficiently.
- YTAGRI harrows and rollers (rotary harrows) are produced in such a manner that can realize this combination.

TOOTHED HARROW SPECIFICATION AND GENERAL DIMENSIONS

TECHNICAL SPECIFICATION		FOR EXTENSION SPRING				FOR COMPRESSION SPRING			
		9	11	13	15	9	11	13	15
Distance Between Rows	mm	240	240	240	240	288	288	288	288
Right Until The Width of the Bar	mm	Tek Şasi.	1.380	1.620	1.860	1.380	1.620	1.908	2.196
Left Until The Width of the Bar	mm	2.420	1.520	1.760	2.000	1.520	1.760	2.048	2.336
Maximum Width	mm	2.420	2.900	3.380	3.860	2.900	3.380	3.956	4.532
Maximum Length	mm	740	740	740	740	740	740	740	740
Maximum Height	mm	260	260	260	260	258	258	258	258
Working Width	mm	2.160	2.640	3.120	3.600	2.592	3.168	3.744	4.320
Net Weight	kg	140	173	211	222	234	259	289	318
Number of Teeth	Pcs	48	56	66	75	57	66	78	90
Power Requirement	HP	14	16	18	21	16	18	22	25

TSE Standart No: 6974

# BACK OF THE CULTIVATOR ROTARY HARROW



ROTARY HARROW SPECIFICATION AND GENERAL DIMENSIONS

TECHNICAL SPECIFICATION		FOR EXTENSION SPRING				FOR COMPRESSION SPRING			
		9	11	13	15	9	11	13	15
Distance Between Rows	mm	240	240	240	240	288	288	288	288
One Harrow Width	mm	1080-1320	1320-1560	1560-1800	1800-2040	1320-1560	1560-1800	1800-2040	2040-2280
Maximum Width	mm	2.530	3.010	3.490	3.970	3.020	3.490	3.970	4.450
Maximum Length	mm	1.570	1.570	1.570	1.570	1.610	1.610	1.610	1.610
Maximum Height	mm	942	942	942	942	1.137	1.137	1.137	1.137
Working Width	mm	2.160	2.640	3.120	3.600	2.592	3.168	3.744	4.320
Net Weight	kg	316	341	366	391	361	383	405	427
Diameter Harrow	mm	Ø 330	Ø 330	Ø 300	Ø 330	Ø 395	Ø 395	Ø 395	Ø 395

TSE Standart No: 6974

# INTER ROW SPRING CULTIVATOR

It is mounted to the truck with three point hitch. This machine is ideal for the plants such as beet, corn, cotton, sun flower, tobacco and vegetables which are cultivated in order and it does not fail through the floor, provides the protection of moisture in the soil and it also provides an exact struggle against weeds. Thanks to units which are moving independent of each other, even in rugged terrain conditions, it holds hoeing depth fixed and provides savings of % 70 - 80 from labor. The product develops early and more products are obtained. it provides savings in irrigation. In standard, it is produced as roller and without roller. Depending on usage purpose and optionally, earthing up unity can be connected to the behind tools without roller. in addition to this, upon demand of the customer, manure box can be mounted on the tool. Seplet spring anchor machines can be produced mechanically and hydraulically optionally.



**YTAGRI**





MODEL	Rows	Number of Tines	Chassis Height	Machine Weight	Required Tractor Power
YAC 3	3	15	750	260	45
YAC 5	5	21		450	60
YAC 6	6	16		580	70
YAC 7	7	31		630	75
With Roller					
YACM 3	3	15	750	315	45
YACM 5	5	21		530	60
YACM 6	6	16		700	70
YACM 7	7	31		750	75
Hydraulic Folded Type					
YACM 7-HK	7	31	750	880	90

We reserve our rights to make changes in designs, specifications and features without prior notice.

# DISC TILLER

YTAGRI provides modern equipment, Disk Tiller (Disk Rotary Harrow Combination) to Farmers for the soil cultivation. It operates by not causing a base in the field due to the fact that each disk is independent in the various working conditions. YTAGRI Disk Tiller cultivates the soil in depth, prevents erosion and puts the base occurring away.

The equipment operates by not causing base according to the disc harrow and allows rain water and oxygen to bottom layers.

The adjustments of group of Rotary Harrow Combination (Wringer) in our product are performed through a hydraulic piston. Because of the fact that it is taken onto the equipment through hydraulic piston of wringer group in Transport Mode, the load on the back arms of the tractor is in the lowest level.

Furthermore, products, having less work wideness, can be manufactured for especially wood gaps upon the demands.





MODEL	Number of Disc (mm)	Diameter of Disc (mm)	Working Width (mm)	Machine Weight (kg)	Required Tractor Power (HP)
<b>DTM 20-KB</b>	20	510	2500	1130	50-70
<b>DTM 24-KB</b>	24		3000	1350	70-100
<b>DTM 28-KB</b>	28		3500	1560	90-120

Hydraulic Folded Type

<b>DTM 32-KB</b>	32	510	4000	1740	110-140
<b>DTM 36-KB</b>	36		4500	1880	130-160
<b>DTM 40-KB</b>	40		5000	1970	160-180

We reserve our rights to make changes in designs, specifications and features without prior notice.

# Heavy Duty Foldable Discharrow

The working width is decreased for road security by folding the side batteries on transport position for our more than 40 discs ofset types. The tractor power necessity is between 150 - 300 hp according to number of discs. Heavy Duty Foldable Discharrow that predominantly used on primary soil preperation.

It can reach more working depth according to the soil conditions. You can make the processing more economical on preperation of seed bed for secondary product and stable processing so your costs fall away. Especially it teems for the soil processing on big parcels and its working success reaches 40 da/h with 8 km/h related to model. It is a suitable machine for reduced soil processing and minimum soil processing that become important in the last years. It has more model alternatives with 22 cm Disc spaces ,560 mm – 610 mm – 660 mm disc diameters, plain and notched type discs. These alternatives enable to farmers for choosing the most suitable equipment for their own conditions. The disc direction angle that can be opened to 22 degree gets good soil working and also desired working depth. 2 pieces of land type tyres with the size 10.0/75 15.3 are used for each machines until 44 discs. For 44 discs and more 4 pieces of tyres are used.



**YTAGRI**



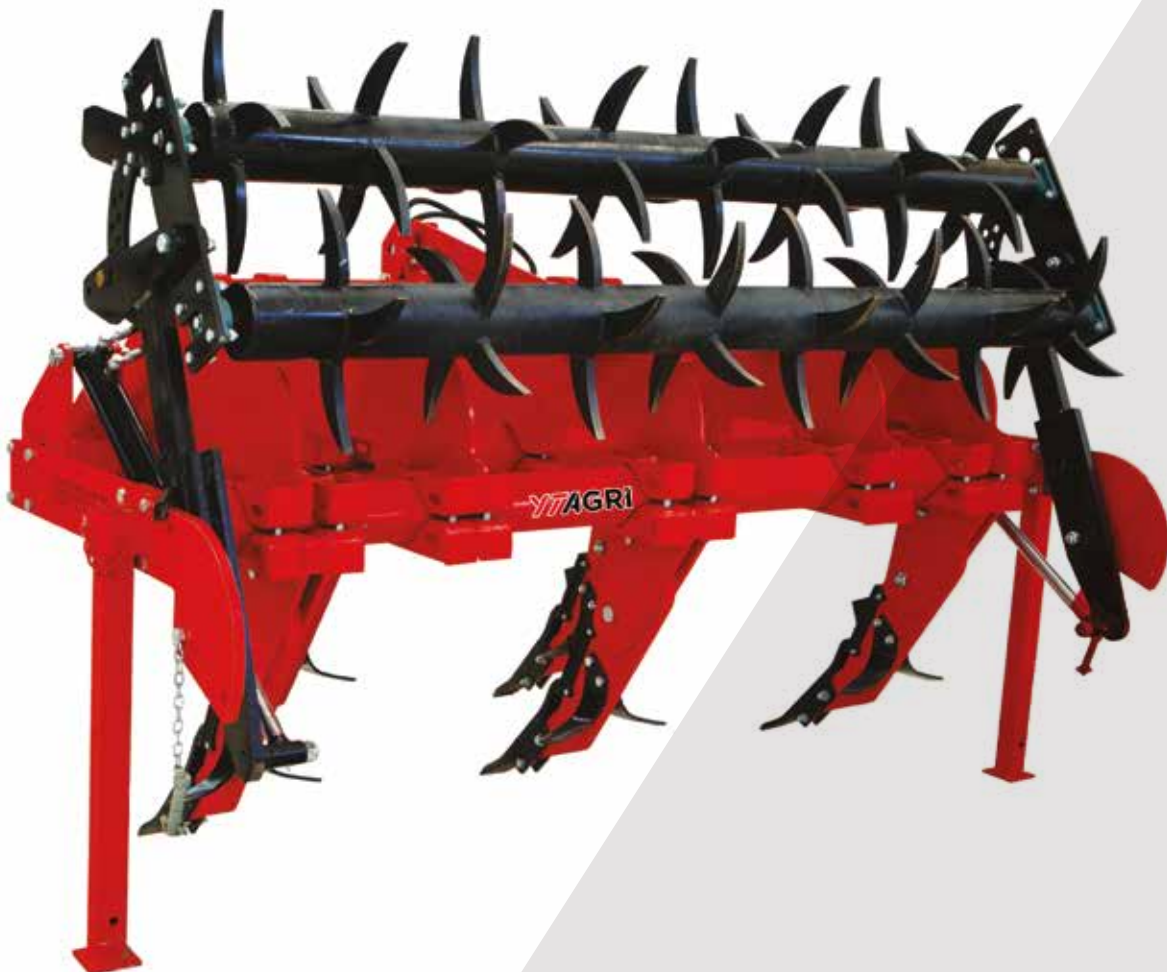
MODEL	Number of Disc	Disc Dia (mm)	Working Width (cm)	Weight (kg)	Power* (HP)
40 AGB-K 56	40	560	420	2985	150-160
44 AGB-K 56	44	560	460	3088	170-180
48 AGB-K 56	48	560	500	3190	180-200
52 AGB-K 56	52	560	540	3294	200-210
56 AGB-K 56	56	560	580	3397	230-250
60 AGB-K 56	60	560	620	3515	270-290

Disc Spacing is (mm): 230  
 610 mm and 660 mm Disc Diameter models are optional  
 All Data are not binding and subject to change without prior notice  
 \*Power Requirement may vary depending on soil conditions.

# SUBSOILER AND CRUMBLER COMBINATION

Subsoiler and Crumbler Combination is new generation subsoiler with the combination of rotary harrow. This is a device to break and loose the Stones underground, to provide base drainage and to break the clod into pieces with rotary harrow. The foots working on the ground have 5 different diving angles by means of 5 different level adjustment. The diving can be adjusted by rotary harrow combined with the subsoiler hydraulic pistons. Also, it is easy to carry it by taking it on the subsoiler under favour of hydraulic piston.

Safety bolt is designed for not harming the foot in case of stick something underground while running. The adjustment of the angle of foot diving is performed with safety bolt.



**YTAGRI**



MODEL	GB 5	GB 7
<b>Number of Tines</b>	5	7
<b>Working Width (mm)</b>	2450	3350
<b>Working Depth Max. (mm)</b>	450	
<b>Machine Weight (kg)</b>	1200	1600
<b>Required tractor power (HP)</b>	110-130	130-160

We reserve our rights to make changes in designs, specifications and features without prior notice.

# HEAVY LAND ROLLER

YTAGRI Heavy Land Roller not only decrease downtime and fuel costs, they also provide optimal seed to soil contact while reducing weeds and moisture loss. Level land allows cutter bars to safely access the base of plants without the risk of rock ingestion. This allows for a faster, safer and easier harvest which ultimately translates to a increased yield on pulse crops such as beans and cereals. YTAGRI Heavy Land Rollers push down rocks, breakdown residue and level the ground for harvest, and subsequently reduce grain and yield losses. Rolling makes combining beans faster and easier, and there is less chance of picking up rocks or corn root clumps which can damage guards, sickle sections or expensive internal combine parts.



**YTAGRI**





MODEL TYPE	MODEL NAME	Number of Units	Working Width (cm)	Transport Width (cm)	Weight (kg)	Power Requirement (HP)
Tubed Type	AMR 450-B	3	450	230	1760	70-90
	AMR 620-B	3	620	230	2120	110-130
	AMR 720-B	3	720	230	2600	140-160
	AMR 820-B	3	820	230	3080	160-200
Cambridge Type	AMR 450-M	3	450	230	2480	70-90
	AMR 620-M	3	620	230	2840	110-140
	AMR 720-M	3	720	230	3320	150-170
	AMR 820-M	3	820	230	3800	170-210

We reserve our rights to make changes in designs, specifications and features without prior notice.

# LASER LAND LEVELER

Laser Land Leveller provides us to make the levelling with the less cost in the shorter time and without mistake by the help of laser system.

The automatic laser system is integrated with the strong and rigid structure of the machine. We can level our field as zero, mono or dual grade. The levelling of the agricultural fields is an important factor for product proceeds. Laser Land Leveller provides us to level on requested grade without mistake. It is not necessary to make excavation cushion map of the field. It saves expenses from the time and the other costs.

The machine is brought to working and transportation position by the hydraulic control easily.



**YTAGRI**

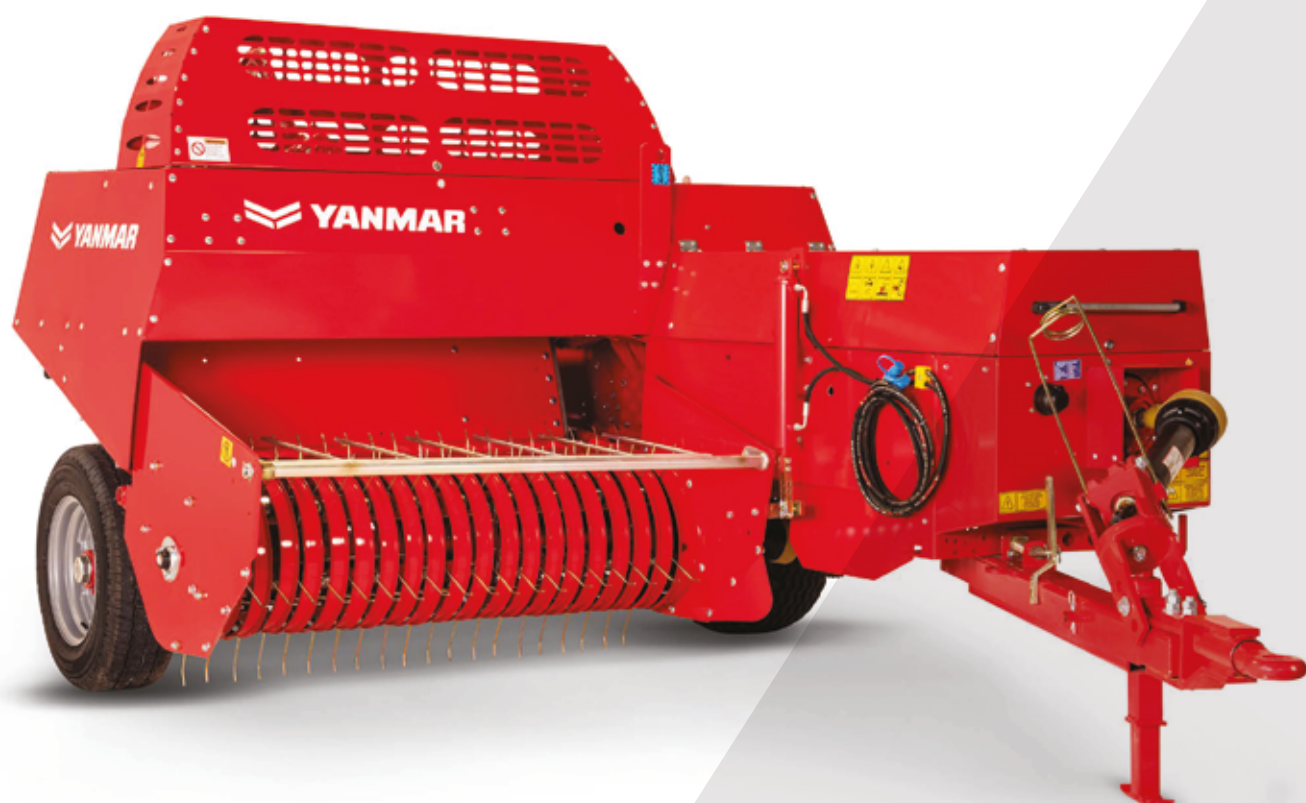


MODEL	Working Width (cm)	Transport Width (cm)	Weight* (kg)	Power** (HP)
<b>LTSV 35</b>	350	250	2050	85-120
<b>LTSV 40</b>	400	250	2100	100-140
<b>LTSV 50</b>	500	250	2290	120-180
<b>LTSV 60</b>	600	250	2640	160-210
<b>LTSV 50 - AC</b>	500	250	3510	120-210
<b>LTSV 60 - AC</b>	600	250	3680	120-180
<b>LTSV 70 - AC</b>	730	250	4330	220-300

We reserve our rights to make changes in designs, specifications and features without prior notice.

# SQUARE BALERS

KE 555 - 560



**YTAGRI**



With KE 555 Square Baler which has strong chassis and the unique quality gear group of their segments, baling operations are realized in fast, efficient and economic way.



Needles protected by their cover in all rough field conditions.



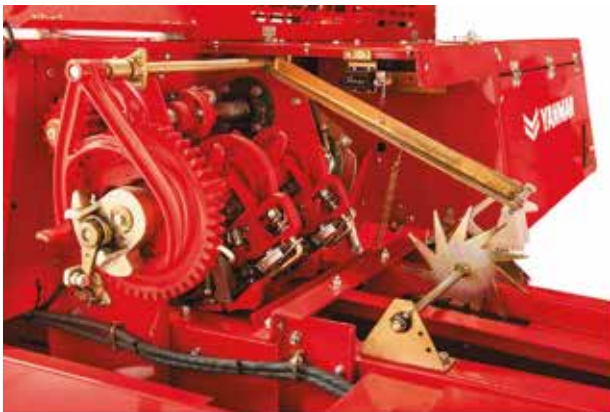
Double support wheels offer protection in all rough field conditions.



With the quality of the wire knotter set, bindings ensure durability when bales are transported over long distances.



World famous knotter set provides non-stop productivity.



Heavy flywheel, counterweight and roller-mounted ram provide robust, heavy-duty work.



Hydraulic pick up gives precise movement to pick-up system that can work any condition on the field.

PICK-UP SYSTEM		KE 520	KE 555	KE 560	KE 690	KE 790
Width	mm	1930	1650	1790	1800	1800
Bar Gap	mm	66	70	70	70	70
Number of Tines	pcs	112	100	110	110	110
BALE CHAMBER						
Stroke	mm	550	710	710	730	730
Piston Speed	Stroke/min	120	93	93	92	92
Feeder Window	cm <sup>2</sup>	1410	1500	1500	1570	1570
BALE SPECIFICATIONS						
Bale Dimensions	mm	360x460	360x460	360x460	360x460	360x460
Bale Length	mm	300-1350	300-1350	300-1350	300-1350	300-1350
Bale Weight	kg	20-35	20-35	20-35	25-35	25*35
Productivity	bale/h	280	250	250	200	200
Knotter Set		2 twines	2 twines/wires	2 twines/wires	2 twines	3 twines
TRANSPORT DIMENSIONS						
Weight	kg	1850	1746	1790	2220	2238
Length of Baler (on road)	mm	4650	5050	5050	5530	5530
Length of Baler (on duty)	mm	5570	6080	6080	6380	6380
Width of Baler	mm	2600	2370	2510	2550	2550
Height of Baler mm		1820	1820	1820	1870	1870
Minimum Power Requirement	HP	45	45	45	50-60	50-60
PTO	1/min.	540	540	540	540	540
Transmission		1 Shaft	2 Shaft	2 Shaft	2 Shaft	2 Shaft

# TRACTOR FRONT BLADE

YTAGRI Front Blades are an excellent and economical choice for applications in leveling, finish grading, and backfilling at feedlots, outdoor arenas, building sites, nurseries, and maintenance operations on farms, ranches, and property owner lanes. They are also excellent for snow removal.



**YTAGRI**





	KT-SG15	KT-SG20	KT-SG25
<b>Blade Width</b>	120-145 cm	180-210 cm	220-250 cm
<b>Max. Digging Depth (cm)</b>	45-60 cm	50-75 cm	60-85 cm
<b>Control</b>	Hydraulic	Hydraulic	Hydraulic
<b>Pressure Bar</b>	180	180	180
<b>Necessary Hydraulic Flow (l/min)</b>	20	20	20

We reserve our rights to make changes in designs, specifications and features without prior notice.

# WATER PUMP

The Yanmar diesel pump provides high-efficiency working. It can use for irrigation of agricultural areas or any flowing whatever you want other situations.

Water pumps are equipped with industrial diesel engines and work reliably over a long service life. They operate on the centrifugal pump principle and, depending on the model, with standard constructions, pump between 10 and 175 cubic meters of liquid per hour. Whether fresh water for irrigation in horticulture or in agriculture, wastewater or sludge on construction sites, drainage of floods or chemical and cleaning agents in industry.

## Usage areas

- Agricultural irrigation
- Sprinkler irrigation
- Drip irrigation
- Flood irrigation
- Fire Pump

## Advantages

- Durability
- Wide service network
- Genuine spare part
- Various starting options (coil,starter etc.)





Product Type	Portable Fresh Water Pump	Portable Trash Pump	Portable Trash Pump
Starting System	Electric – Recoil	Electric – Recoil	Electric – Recoil
Engine Fuel	Diesel Fuel	Diesel Fuel	Diesel Fuel
Max. Capacity	1300 L/m	1750 L/m (electric)	1750 L/m
		1700 L/m (recoil)	
Suction & Discharge Diameter	100 mm	100 mm	100 mm
Region of Use	Stage V – EU certified	Stage V – EU certified	Non-Regulated
Engine Model	L70V6V-PEYI2 (electric) L70V6V-PYI2 (recoil)	L70V6V-PETYI2 (electric) L70V6V-PTYI2 (recoil)	L100N6-PETYI2(electric) L100N6-PTYI2 (recoil)
Engine Type	4-stroke, air cooled diesel engine	4-stroke, air cooled diesel engine	4-stroke, air cooled diesel engine
Displacement	320 cc	435 cc	435 cc
Max. Output	4.8 kW / 3600 rpm	6.8 kW / 3600 rpm	7.4 kW / 3600 rpm
Continuous Output	4.3 kW / 3600 rpm	6.2 kW / 3600 rpm	6.6 kW / 3600 rpm
Fuel Oil Tank Capacity	13 lit.	13 lit.	13 lit.
Diemension Unit (LxWxH)	630mm x 484mm x 727mm	718mm x 484mm x 740mm	718mm x 484mm x 740mm
Dry weight Recoil	62 kg	94 kg	91 kg
Dry Weight Electric	77 kg	109 kg	109 kg
Suction lift	7 m	7 m	7 m
Maximum total head	26.5 m	25 m	25 m

# IN-LINE BALER

- With the perfect in-line design of KE 520, there is no on-road/on-duty position to change.
- The knotter set is clean and operative all the time with the performance of fan system
- Pick-up unit designed wider (193 cm) and low-profile for maximum performance on every type of crop
- Crank feeder system provides the highest level of product flow with high-strength spiral and special design
- Central lubrication system provides continuous working performance with the option of knotter sets
- 120 rpm transmission gear provides sturdiness, knockless and smooth operation
- With suitable for large diameter twine rolls by fives on both sides, long-lasting and continuous work
- Support wheel for stable working even in the toughest conditions.



**YTAGRI**

#### PICK-UP SYSTEM

Width	mm	1930
Bar Gap	mm	66
Tine Bars	n.	4 bars
Number of Tines	pcs	112

#### BALE CHAMBER

Stroke	mm	550
Piston Speed	stroke / min	105
Feeding Opening	cm <sup>2</sup>	1410

#### BALE SPECIFICATION

Bale Dimensions	mm	360 x 460
Bale Length	mm	300 - 1350
Bale Weight	kg	20 - 35
Productivity	bale/h	280
Knotter Set		2 twines

#### TRANSPORT DIMENSIONS

Right Tire		10,0 / 75-15,3 Tubeless 10 PLY
Left Tire		10,0 / 75-15,3 Tubeless 10 PLY
Support Wheel		300 x 100 PR
Weight	kg	1850
Length of Baler(on road)	mm	4650
Length of Baler(on duty)	mm	5570
Width of Baler	mm	2600
Height of Baler	mm	1820
Minimum Power Requirement	HP	45
PTO	rpm	540
Transmission		1 shaft

# PTO SHAFT

The power take-off (PTO shaft) is an integral component of agricultural tractors and farming implements, so keep yours working just as hard as you are with YTAGRI PTO components and parts such as our shear bolts, shafts, adaptors, couplings, and chains built to last.

For all implements which need to reliably transfer hydraulic energy to mechanical muscle for everyday use, look no further than YTAGRI.



# OFFSET MULCHER

Offset mulchers, in addition to universal use in agriculture, are intended for mulching communal areas with a slope of + 90 ° / -65 °, especially watercourses, ditches, areas along roads and along lawns, orchards and pastures.

## Main characteristics

- Height adjustment by roller
- Gearbox with one-way coupling, rear attachment (standard)
- Hydraulic displacement
  - a) Horizontal displacement
  - b) Vertical displacement (d - 65° to + 90°)
- Blade options
  - a) Hammer-blade (standard) - for more difficult working conditions (branches, thicker weeds, grass, etc.)
  - b) Universal Y blade (optional) - for easier working conditions (grass, weeds, etc.)
- Lateral transmission via a set of special V-belts
- Automatic spanning
- Counter blades (standard)

Type	BM 160	BM 180	BM 200	BM 180 PRO	BM 200 PRO
Working width (m)	1,6	1,8	2	1,8	2
Total width (m)	1,9	2,1	2,3	2,1	2,3
Minimum tractor power - kw(hp)	33 (45)	35 (50)	53 (70)	35 (50)	53 (70)
Tractor category	II, III				
Tractor output shaft RPM (r/min)	540				
Rotor diameter (mm)	159				
Number of V-belts	3	4			
No. of knives hammer blade	20	22	24	22	24
No. of knives Y	40	44	48	44	48
Cutting height (cm)	3.Ara				
Side movement	Hydraulic				
Weight (kg)	630	680	730	732	770



# POTATO HARVESTER

## EN-96-PS

The Potato Harvester (EN-96-PS) machine connects to category-2 3 point hitch system and is driven by PTO from the tractor. This machine separates soil and potato which are planted double line and takes the potato with soil by the blades. After the separation, it drops clean the potato on the soil by the barrel. It doesn't harm any side of the potato between discs. Due to the shaft and chain system, our machine has a strong structure.

Length (cm)	230
Width (cm)	170
Height (cm)	130
Weight (kg)	640
Inner barrel width (cm)	130
Number of digger blades	9
Length of the elevator (cm)	131,5
Elevator bars	66
Distance of elevator bars (cm)	3,2
P.T.O. (rpm)	540
Requiment tractor power (hp) (min)	45





# POTATO PLANTING

## EN-96-PE

The Potato Planting (EN-96-PE) machine connects to category-2 3 point hitch system from the tractor and you can adjust the dropping distance. The inner line is adjustable from 65 cm to 75 cm. The carrier band takes the potato with the bowls which are located in the band by the clinch. These bowls can be changed according to the size of the potato. The cut potatoes are planted by two workers. This makes the rate two doubly more.

Length (cm)	165
Width (cm)	175
Height (cm)	165
Weight (kg)	600
Planting distance (cm)	17,5 - 48
Planting line distance (cm)	65 - 75
Storage capacity (kg)	450 - 550
Planting capacity (da/day)	15 – 30
Depth of planting (cm)	Adjustable
Requiment tractor power (hp) (min)	45



# MILKING MACHINES

If you need a milking machine for your herd this machine fulfills your requirements. Due to this milking machines have a large cluster, the vacuum change is significantly less. Therefore provides high-efficiency milking and protects animals health from mastitis etc. illness. By the way, the milking machine configurations depend on your choice. For example, if you live in a village and you have an electrical problem you can choose a gasoline engine instead of an electric engine, or if you need larger or more buckets we can provide them.

Product Code	KM03075	KM02103
Pump Capacity	200 L/m	350 L/m
Milking Liners	Silicon	Silicon
Vacuum Boiler	Yes	Yes
Cluster	300 cc	300 cc
Bucket	304L 40 lt x1	304L 30 lt x2
Milking Point	1	2
Vacuum Pump	Oil type	Oil type
Pulsation	Mechanical	Mechanical
Electric Engine	220 V / 50 Hz	220 V / 50 Hz
Weight	110 kg	60 kg
Dimensions	60 cm x 90 cm x100 cm	60 cm x 90 cm x100 cm







**Head Office**

Yanmar Co., Ltd  
YANMAR FLYING-Y BUILDING  
1-32 Chayamachi, Kita-ku,  
530-8311 Osaka, Japan  
[www.yanmar.com](http://www.yanmar.com)

**Regional Office / Sales & Service**

Yanmar Europe B.V.  
Brugplein 11, 1332 BS Almere, The Netherlands  
T: +31 (0)36 549 3200  
F: +31 (0)36 549 3209  
E: [agrienquiry-yeu@yanmar.com](mailto:agrienquiry-yeu@yanmar.com)  
[www.yanmar.com/eu](http://www.yanmar.com/eu)