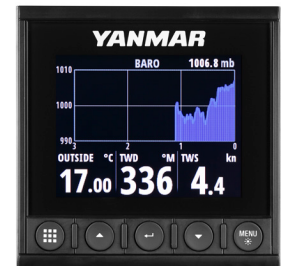




YD42 Multi-Function Color Display

Smart, multi-purpose instrument featuring a compact full color display, modern glass styling, with the ability to read and display YANMAR engine alarm and diagnostic troubleshooting codes. View engine speed, engine load, oil pressure, coolant temperature, wind, speed, depth, AIS data and more at a glance.



*Data display functions depend on the availability of compatible sensors.

FEATURES

- Compact optically bonded 4.1-inch color display
- Modern low-profile glass helm design
- Ultra wide 170-degree viewing angle
- Gateway functionality to allow engine data to be displayed on NMEA 2000 devices
- Display engine speed, oil pressure, coolant temperature, engine hours, engine load, and all YANMAR engine alarm and diagnostic troubleshooting codes
- Intuitive operation with waterproof silicon keys
- Single display for showing data of dual engine installations
- Easy installation with front-mount option

Modern appearance

Designed for use in all weather conditions, the water resistant YD42's LCD panel is optically bonded to its protective glass covering. This eliminates the possibility of condensation or fogging within the display. Transflective LCD technology makes use of reflected sunlight to brighten rather than obscure the displayed image, delivering superior daytime visibility and lower power consumption compared to traditional backlit displays.

Easy installation & compatibility

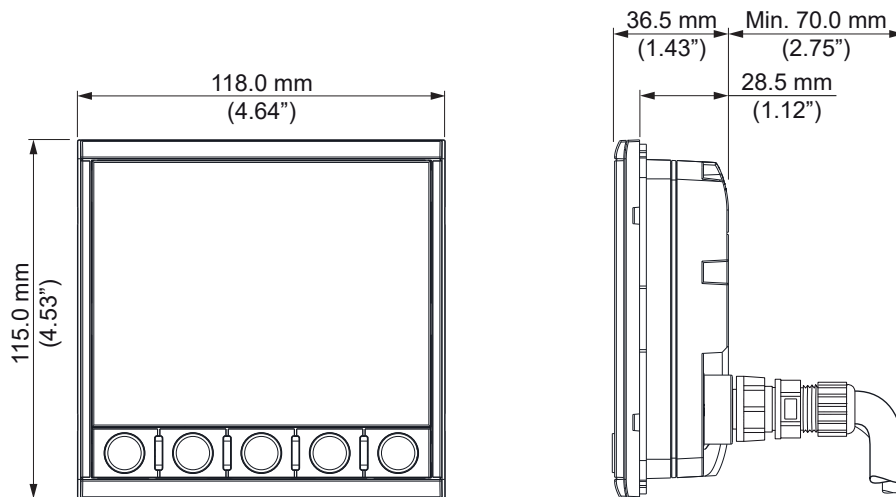
The YD42 is simple to install with an easy front-mount option, requiring no access to the back of the console or panel. The YD42 is compatible with a wide range of instruments, sensors, and other NMEA 2000® data sources. Engine data can easily be transmitted to external multi-functional displays. It's easy to configure data screens suited to your liking, making your most important data immediately accessible.



SPECIFICATIONS

Display	
Display Resolution	320 x 240 px (H x W)
Display Type	LED-backlit optically bonded full-color transfective TFT-LCD
Display Size	104 mm / 4.1 inch
Display viewing angle	170 degrees (-85° to +85°)
Technical/Environmental	
Operating Temperature	-25°C to 65°C / -13°F to 149°F
Operating Temperature Stored	-40°C to 85°C / -40°F to 185°F
Water Resistance	IPX7
Product Weight	0.32 kg / 0.7 lb
Power Consumption	2.2 W (maximum)

DIMENSIONS



NOTE: All data subject to change without notice. Text and illustrations are not binding.