



## YD42 – Fuel tank level indication

Apr. 8<sup>th</sup>, 2019

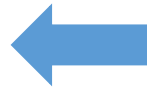
Yanmar Marine International B.V.  
Engineering & Development Department

## Available data for the Fuel tank level

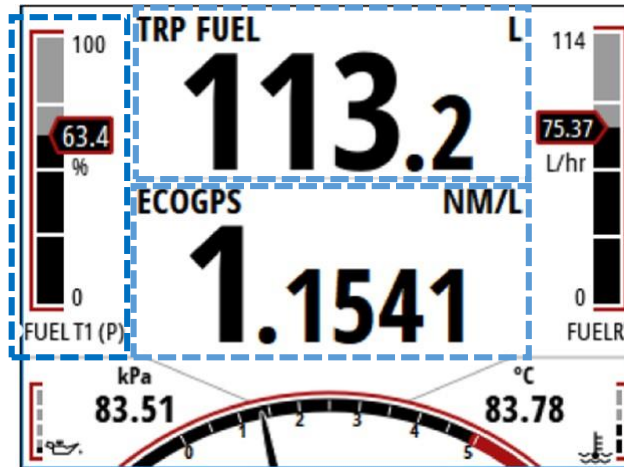
YD42 display can indicate 3 types of fuel level.

- a) **Fluid Level** ; Percentage of selected Fuel tank level, data source is J1939
- b) **Fuel Tank** ; Percentage of selected Fuel tank level, data source is NMEA 2000
- c) **Vessel fuel remaining** ; 1) Total amount of fuel remaining in all tanks that's virtually calculated with Fuel consumption data from the Engine ECU  
2) Need to install Fuel Data Manager (YANMAR Part # 164100-17000) to the NMEA and enter the amount of fuel added to the tank when filling the tank

Each data can be changed to  
Selected "*Fluid Level*"  
or  
Selected "*Fuel Tank*"  
or  
"*Vessel fuel remaining*"

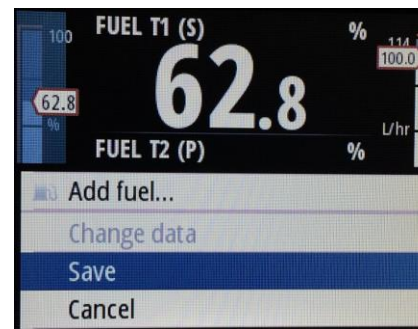
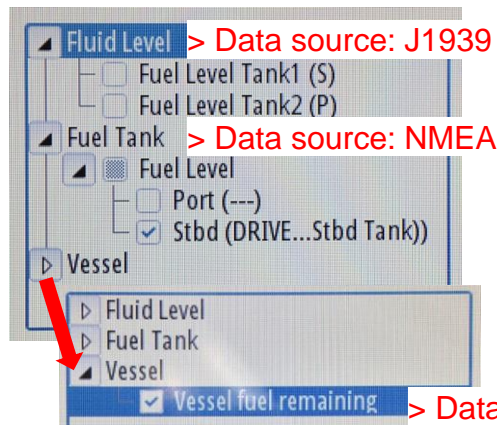
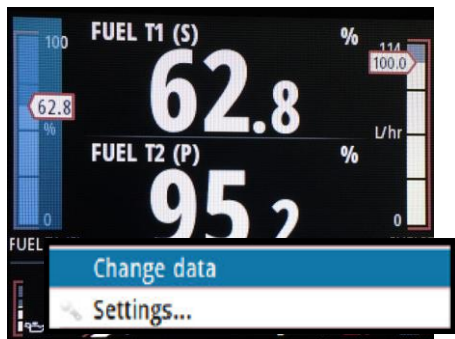


### Fuel economy page



## Selecting Fuel tank level data

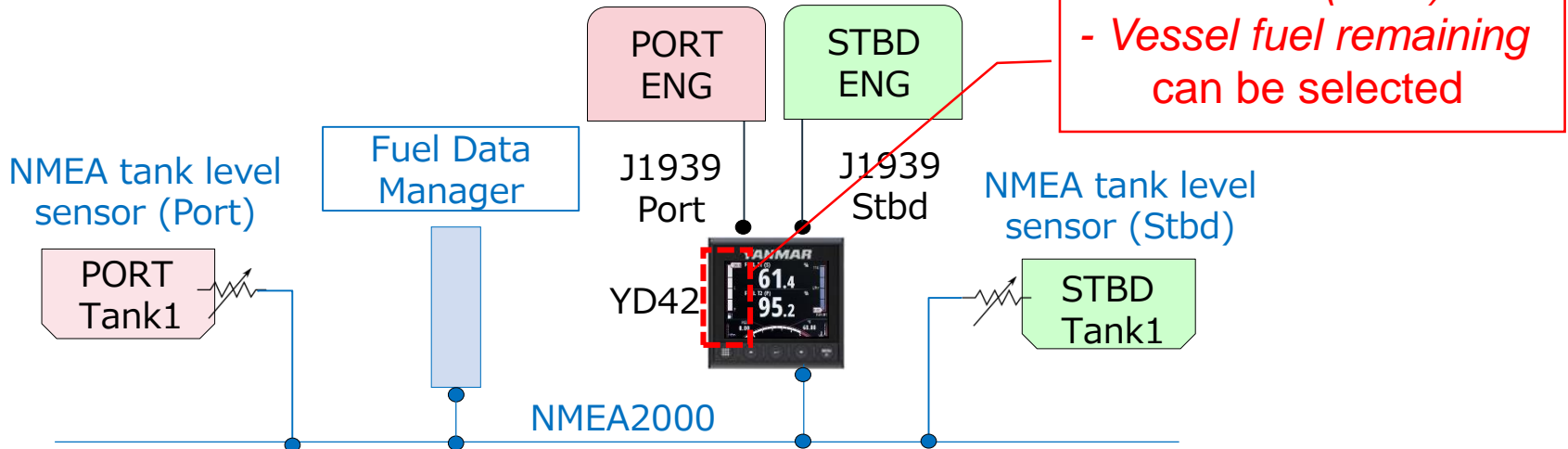
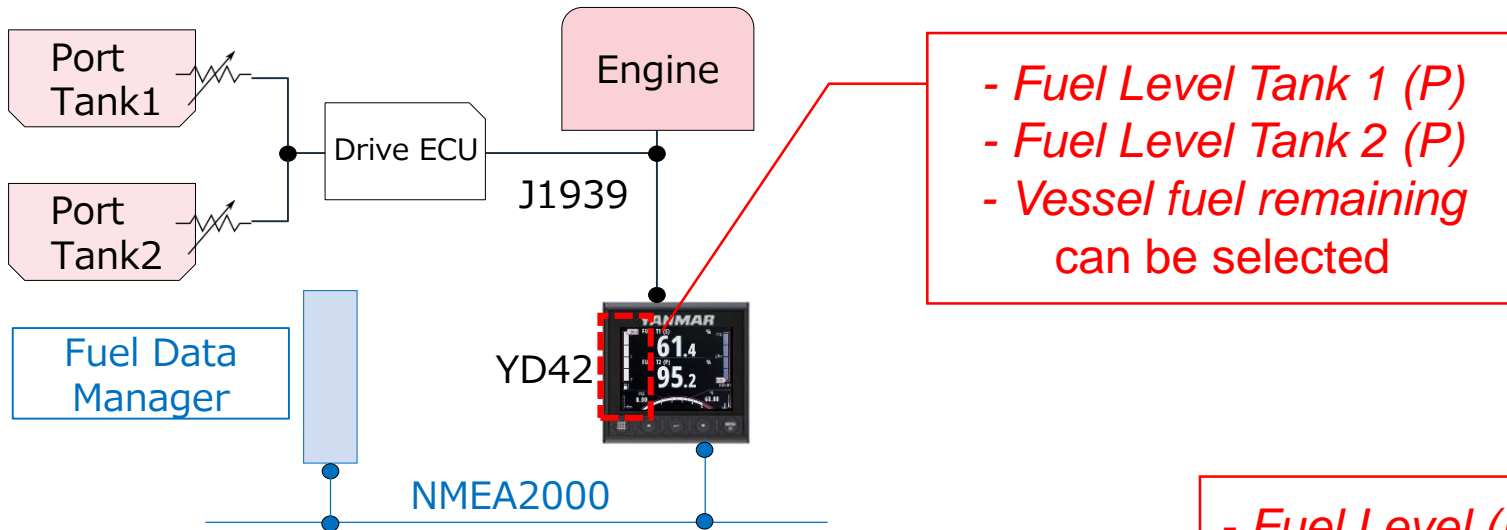
1. Press the menu key and select the “Change data” option.
2. Select the field to be changed.
3. Select the data to be shown in the field.
4. Press the menu key and “Save” the changed setting.



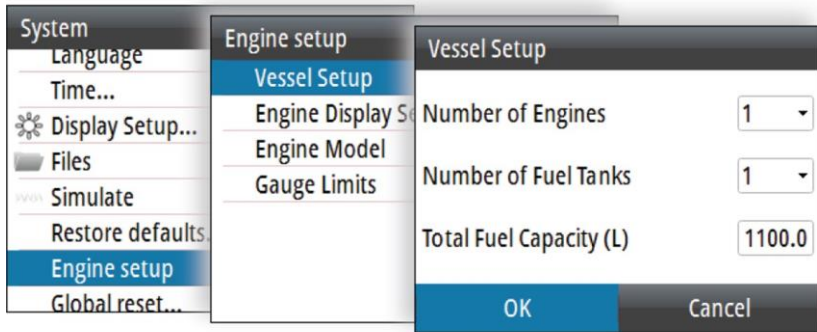
"Vessel fuel remaining" will only be available when Fuel Data Manager (YANMAR Part # 164100-17000) is connected to the NMEA 2000 network.



# Case examples when installing Fuel Data Manager

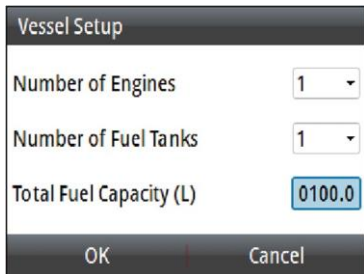


## Fuel setting when indicating “Vessel fuel remaining” data

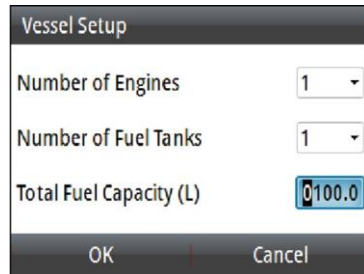


Make sure that the vessel setup is completed as follows before using.

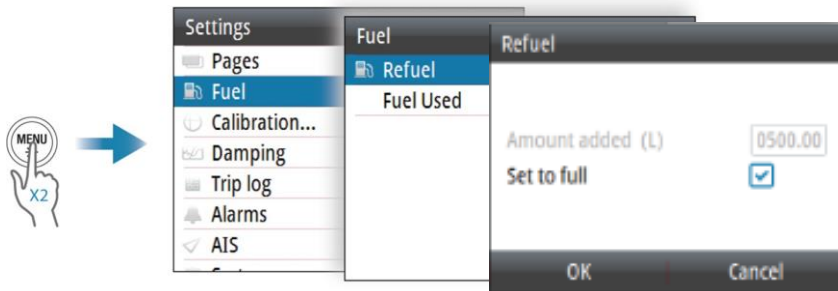
1. Press the enter key to turn the field into edit mode - The left digit starts flashing
2. Use the arrow keys to set the value for the flashing digit
3. Press the enter key to move focus to the next digit
4. Repeat step 3 and 4 until all digits are set
5. Press the enter key to leave edit mode for the selected field



*Selected field*



*Field in edit mode*



**Be sure to enter the amount of fuel added to the tank, or select the "Set to full" when filling the tank to its maximum capacity.**



