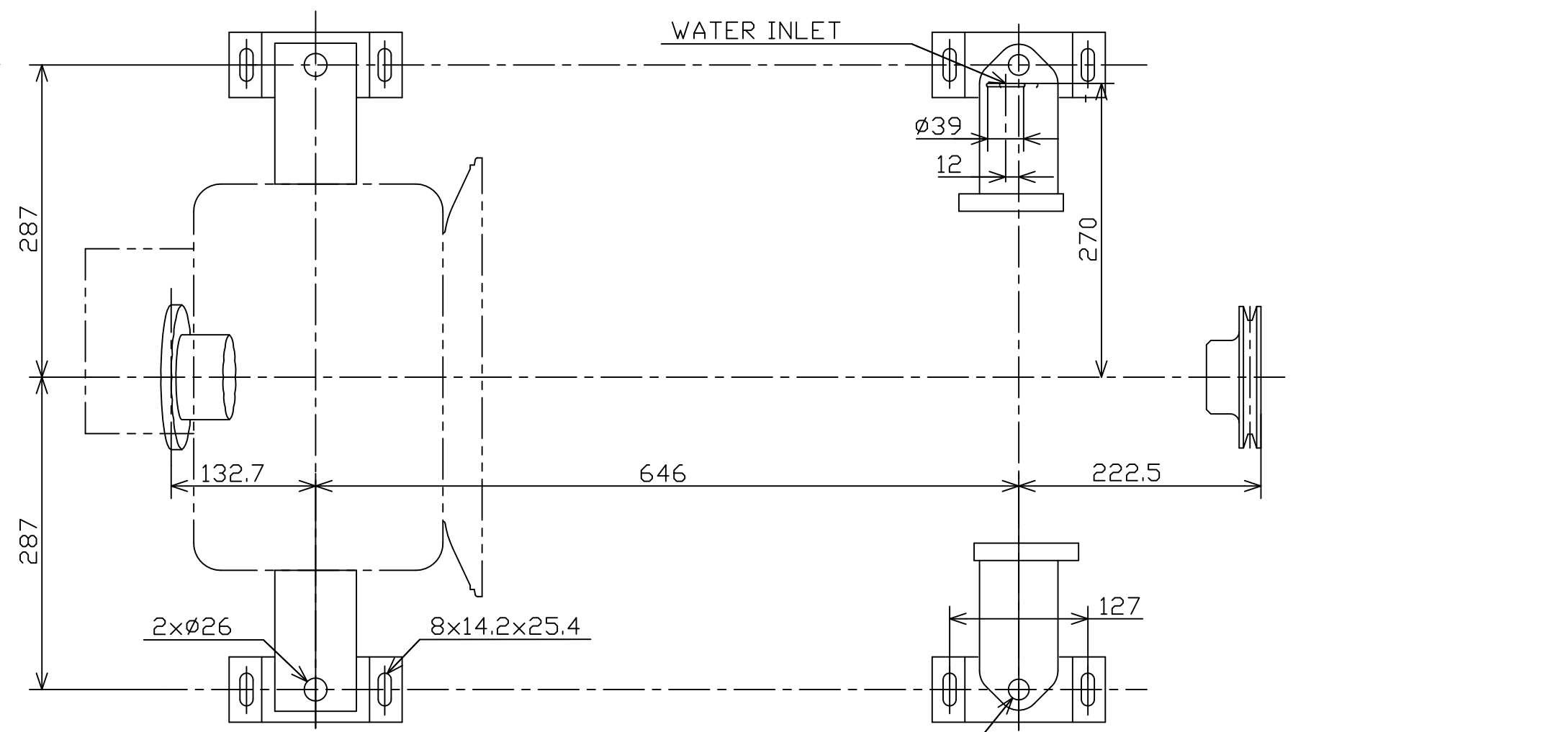


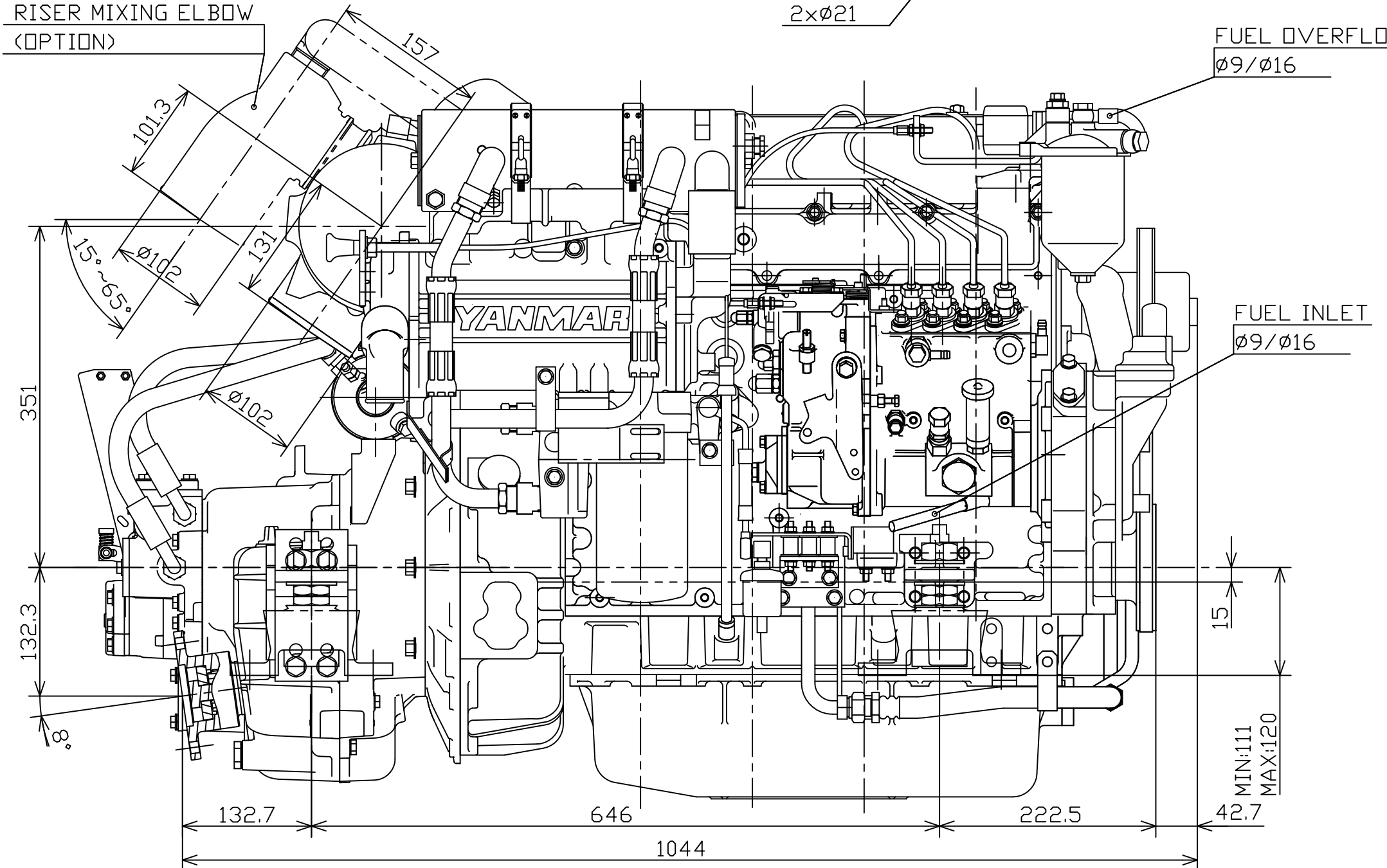
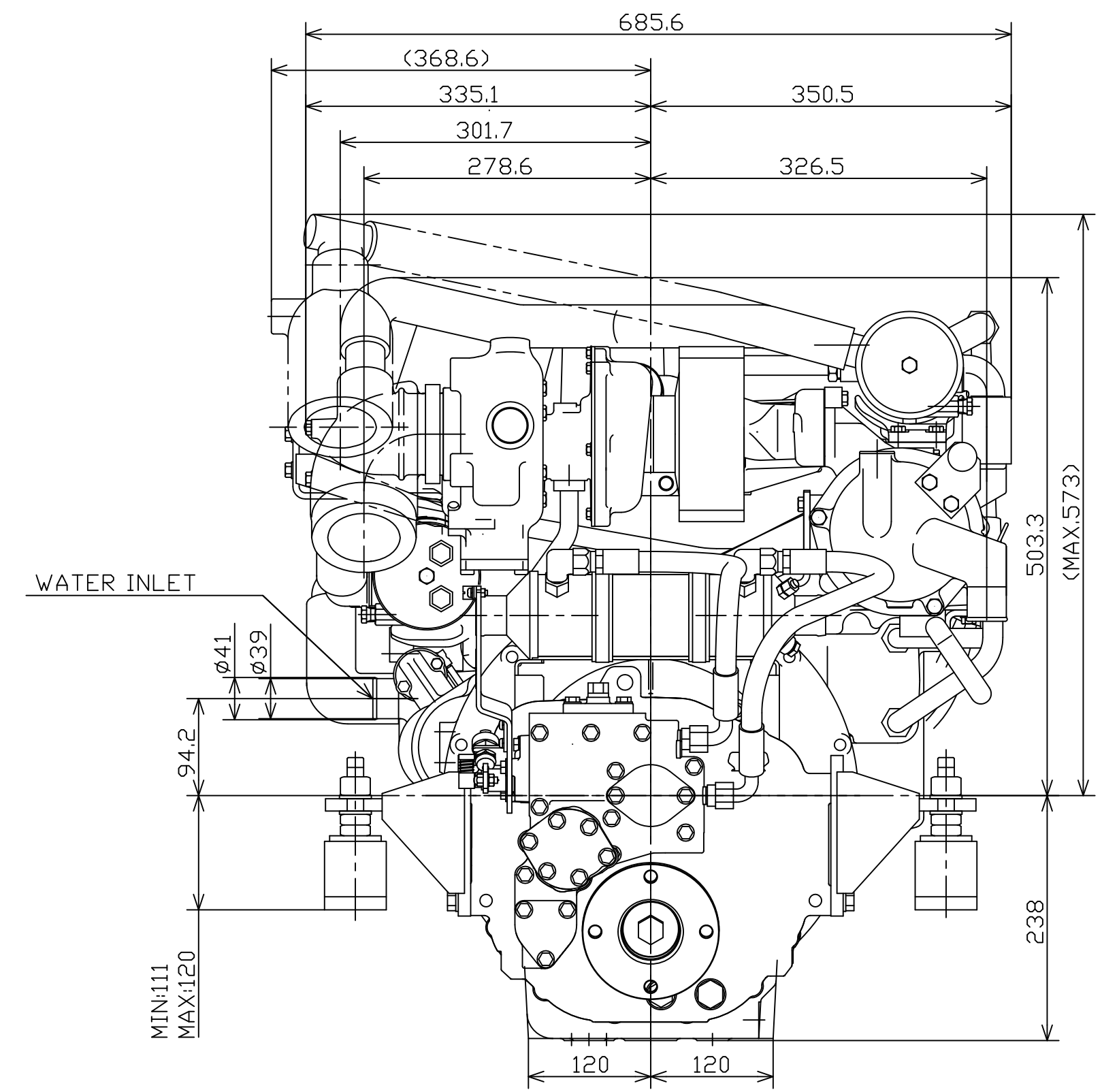
DETAIL OF COUPLING(1/2.5)

DETAIL OF PULLEY(1/2.5)



RISER MIXING ELBOW (OPTION)

FUEL OVERFLOW Ø9/Ø16



NOTES
 1) DWG. SHOWS MOUNTING BLOCKS AT COMPRESSED HEIGHT (COMPRESSED BY APPROX 5mm).
 2) MOUNT P/#:119175-08440 (BARRY) (OPTION)

SPECIFICATIONS		
ENGINE MODEL		4LHA-DTP
CONTINUOUS POWER (ISO 3046-1) (AT CRANKSHAFT)	kW/min ⁻¹	116/3100
FUEL STOP POWER (ISO 3046-1) (AT CRANKSHAFT)	kW/min ⁻¹	147/3300
DIRECTION OF CRANKSHAFT ROTATION		COUNTER-CLOCKWISE
MARINE GEAR MODEL		KMH50A
REDUCTION RATIO		1.67/2.13/2.43
DIRECTION OF OUTPUTSHAFT ROTATION		BOTH
DRY MASS WITH MARINE GEAR	kg	APPROX.410

SCALE	NAME	MODEL
1:5(1:2.5)	OUTLINE	4LHA-DTP X KMH50A
DATE	ORIGINAL DRAWING NUMBER	REVISION
2-10-2012	B2-19173-1010	0

