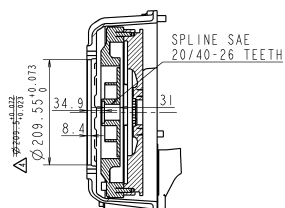
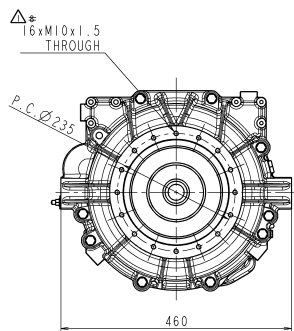
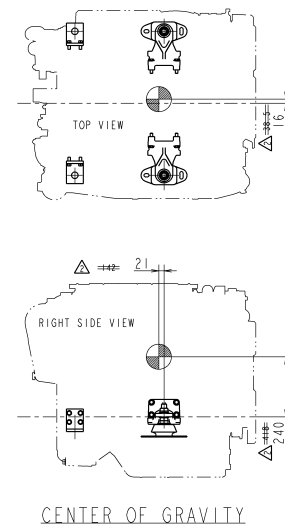
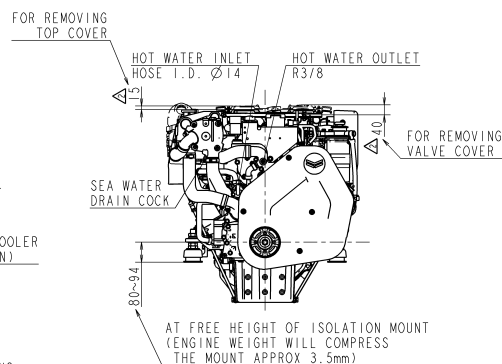
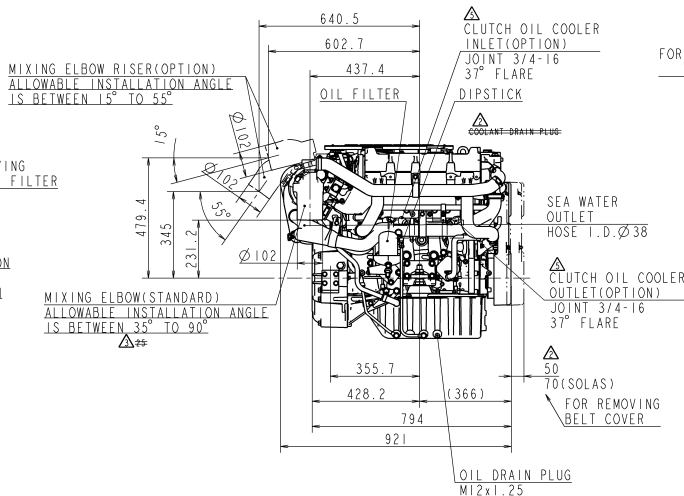
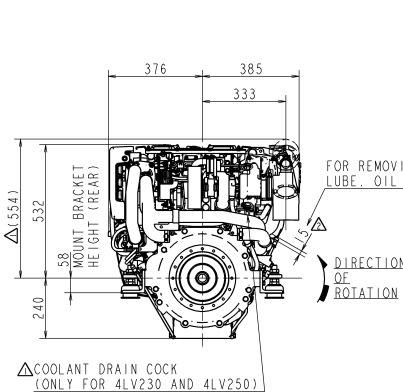
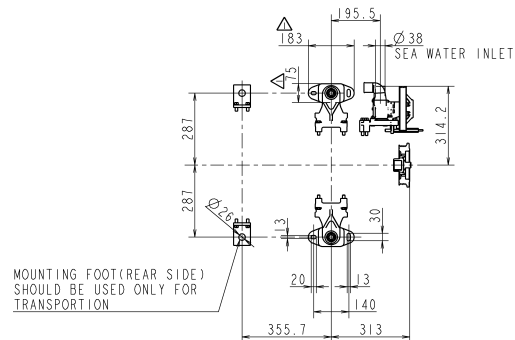
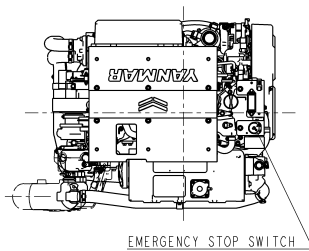
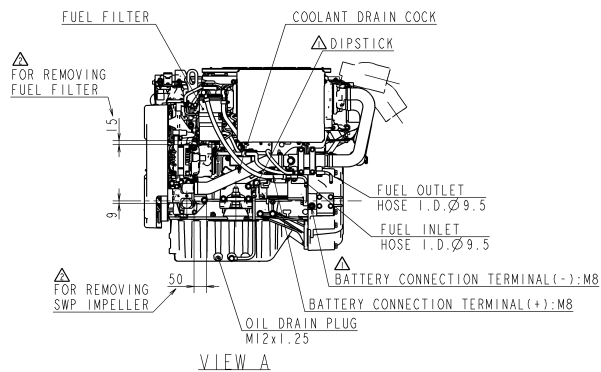


NEED	PURCHASING SPECIFICATION	REQUEST FOR APPROVAL	DELIVERY DRAWING	INSPECTING STANDARD	QC-PROCESS	
GEN. TOL.	DRAFT ANG. 外面公差 内面公差	OUTSIDE 2/100 3/100	INSIDE 3/100	FORMAL DIM. DIVISION 5 MAX ±1.0 SANDWALD ±1.0 SHELL ±0.8	5 TO ±1.0 10 TO ±1.5 18 TO ±2.0 30 TO ±3.0 L-CAST MESH 120 MAX ±1.0 250 ±2.0 400 ±2.0 800 TO ±4.0 1600 TO ±7.0 30 TO ±1.0 60 ±1.5 120 ±2.0 2000 TO ±7.0 4000 TO ±10.0 8000 ±14.0 16000 ±20.0	ANG. CHIP RADIUS 10 MAX ±10% 10 TO ±50 50 TO ±120 120 TO ±400 400 MIN ±5MIN

3RD ANGLE PROJECTION

CAREER

RELEASE OF DRAWING FOR MASS PRODUCTION.
 REVI(2017.12.5)
 (YDSBD-17005)
 (YDSBD-17006)(ISH11)
 REV2(2018.5.11)
 (YDSBD-18003)(T.NAKAMURA)
 REV3(2018.11.7)
 (YDSBD-18013)(S.ASA)
 REV4(2019.4.8)
 (YDSBD-19009)(BABA)
 REV5(2019.12.2)
 (YDSBD-19025)(ISH11)



DETAIL OF FLYWHEEL (SCALE 1:5)

MODEL	SPECIFICATIONS				
	△ 4LV150(C)	4LV170(C)	4LV195(C)	△ 4LV230(C)	△ 4LV250
Continuous Power (ISO8665) kW/min ⁻¹	100 / 3392	114 / 3392	130 / 3392	154 / 3683	168 / 3683
Fuel Stop Power Crankshaft (ISO8665) kW/min ⁻¹	110 / 3500	125 / 3500	143 / 3500	169 / 3800	184 / 3800
Engine Mass kg	Approx. 334				
Direction Of Propeller Shaft Rotation	Counter-clockwise				

量産用
FOR MASS PRODUCTION

MANAGER		SCALE				MATERIAL	
SEC. MANAGER	西條	MODEL	4LV150	4LV170	4LV195	4LV230	4LV250
CHECKED	馬場	SPECIALIST	QTY	-	-	-	-
DESIGNED	石井	DRAWN	DATE: Y.M.D.	NAME			
2017.10.24		4LV ENGINE OUTLINE					
YANMAR		REV1 REV2 REV3 REV4 REV5				CODE	
YANMAR CO., LTD. DEVELOPMENT DIV.		B2-20672-0010				A1	