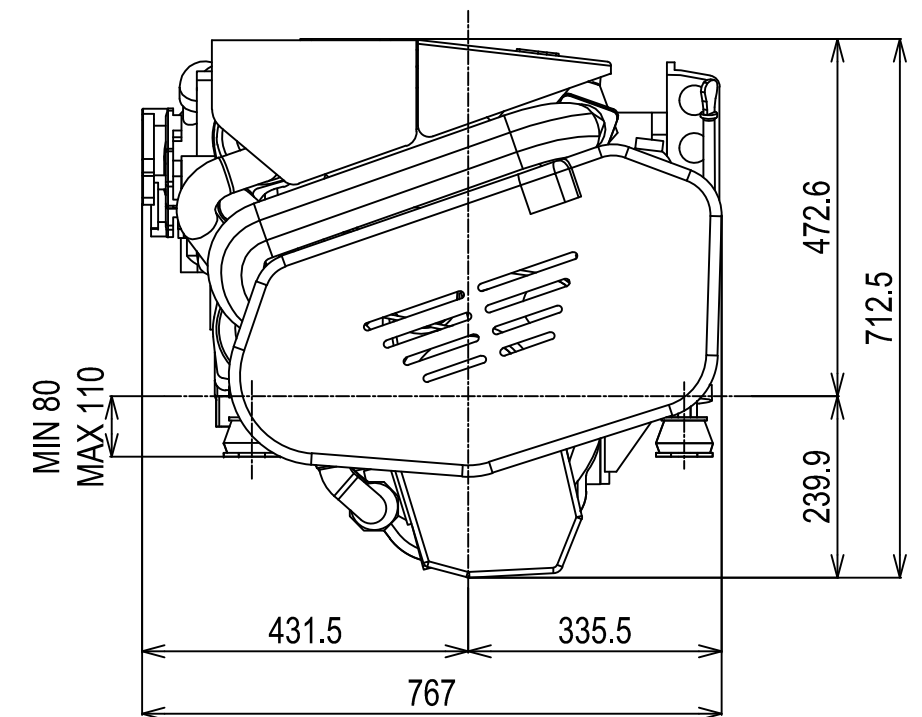
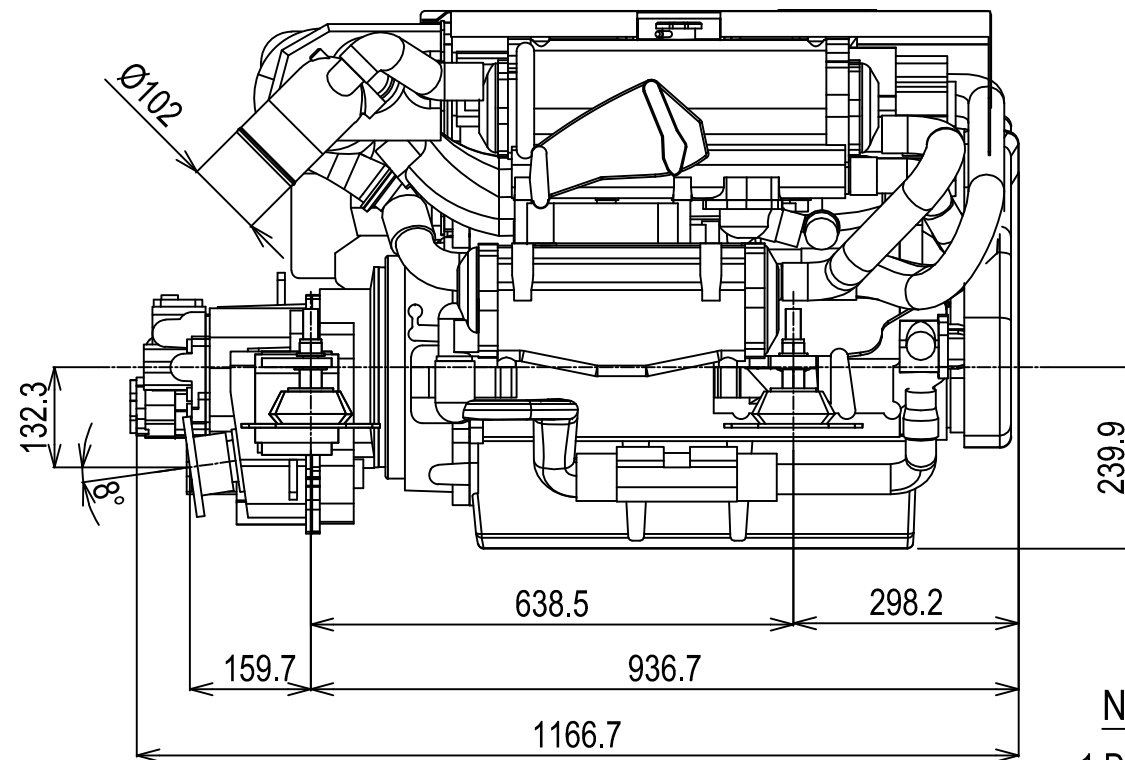
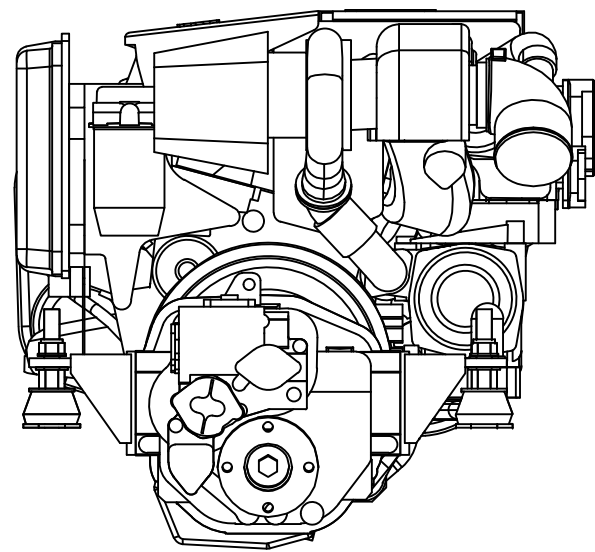
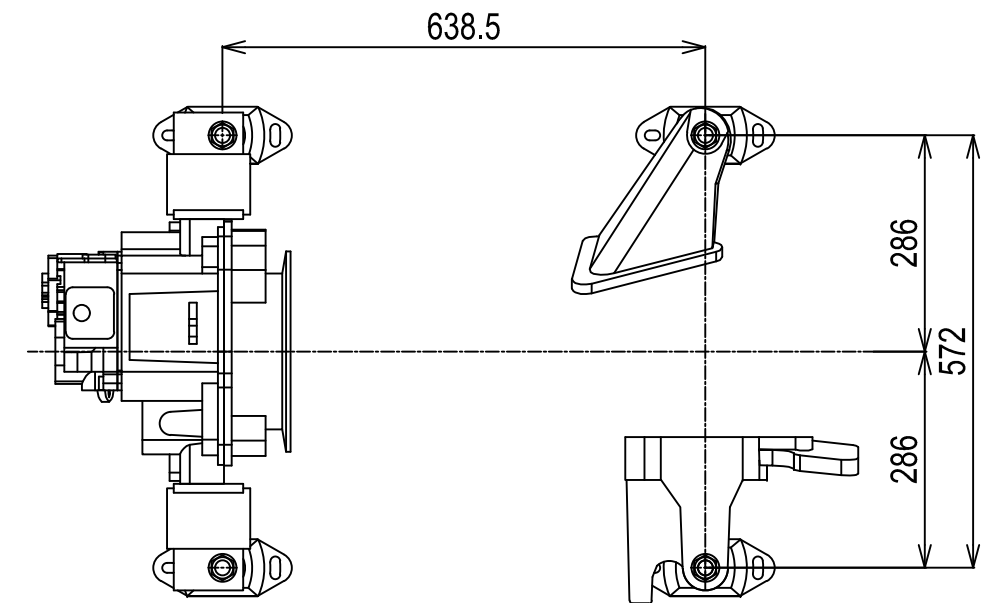
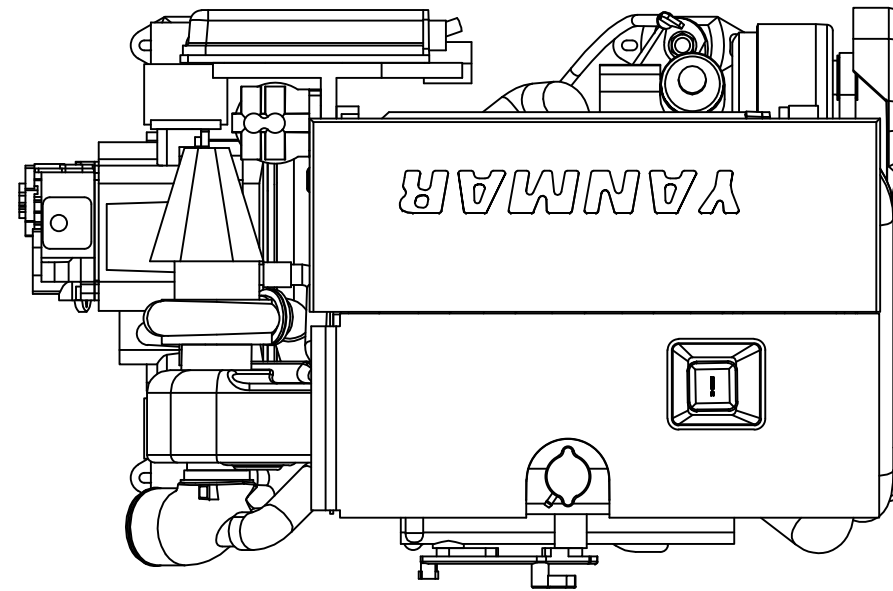
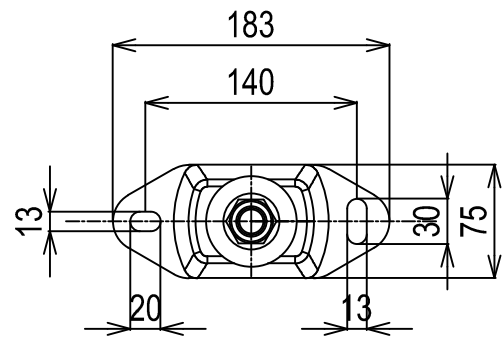
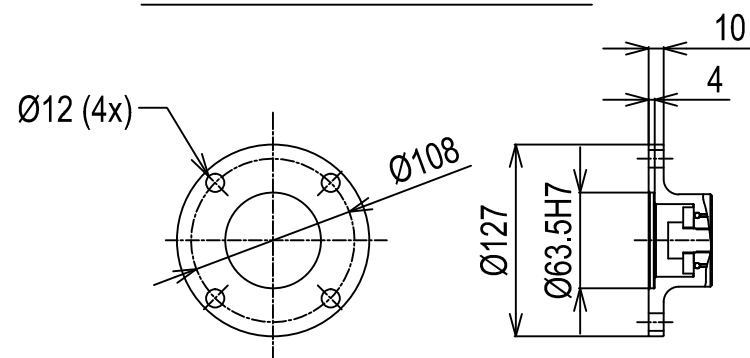


DETAIL OF MOUNTING BLOCK



DETAIL OF COUPLING



NOTE:

1. DWG. SHOWS MOUNTING BLOCKS AT ORIGINAL HEIGHT. ENGINE WEIGHT WILL COMPRESS BLOCKS BY 4MM (APPROX).
2. MOUNTING BLOCKS ARE EQUIPPED FOR STANDARD ACCESSORY.
3. ● SHOWS THE CENTER OF GRAVITY.
4. FOR ADDITIONAL INSTALLATION INFORMATION AND SPECIFICATIONS PLEASE REFER TO THE YANMAR ENGINE INSTALLATION MANUAL

Engine: 6BY3-260(220)_KMH50A

Release: 03-06-2008

Scale: 1:10

Date: 01-04-2013

Dimensions: mm

YANMAR