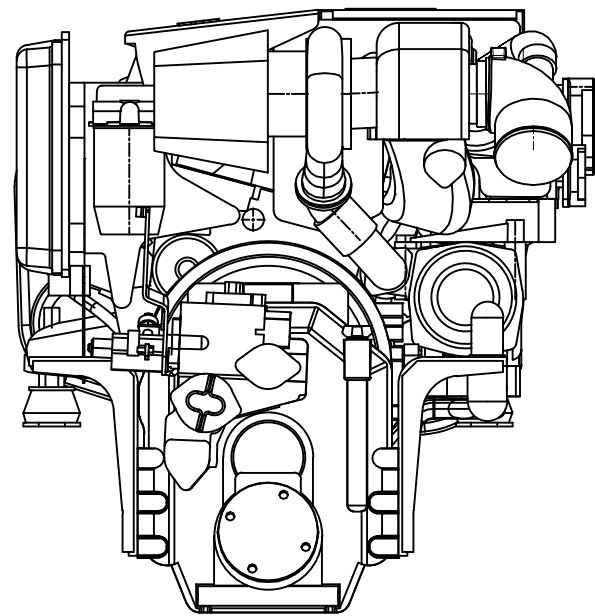
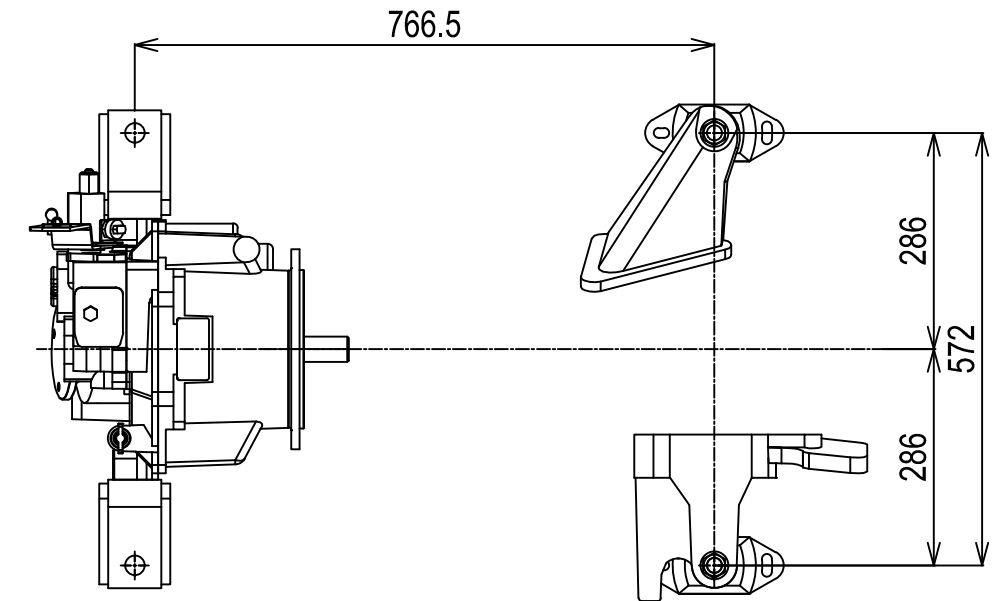
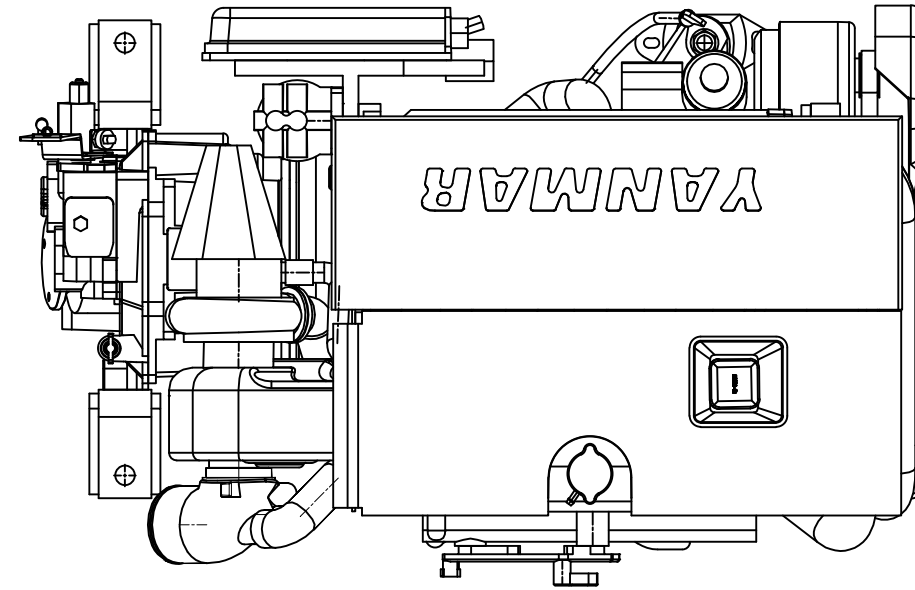
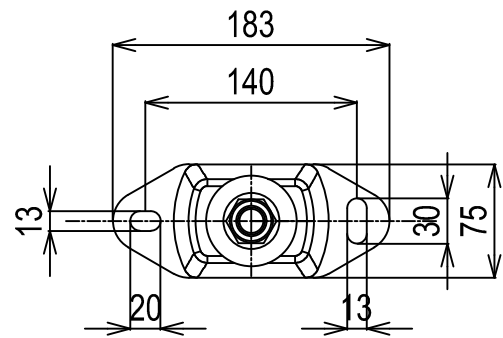
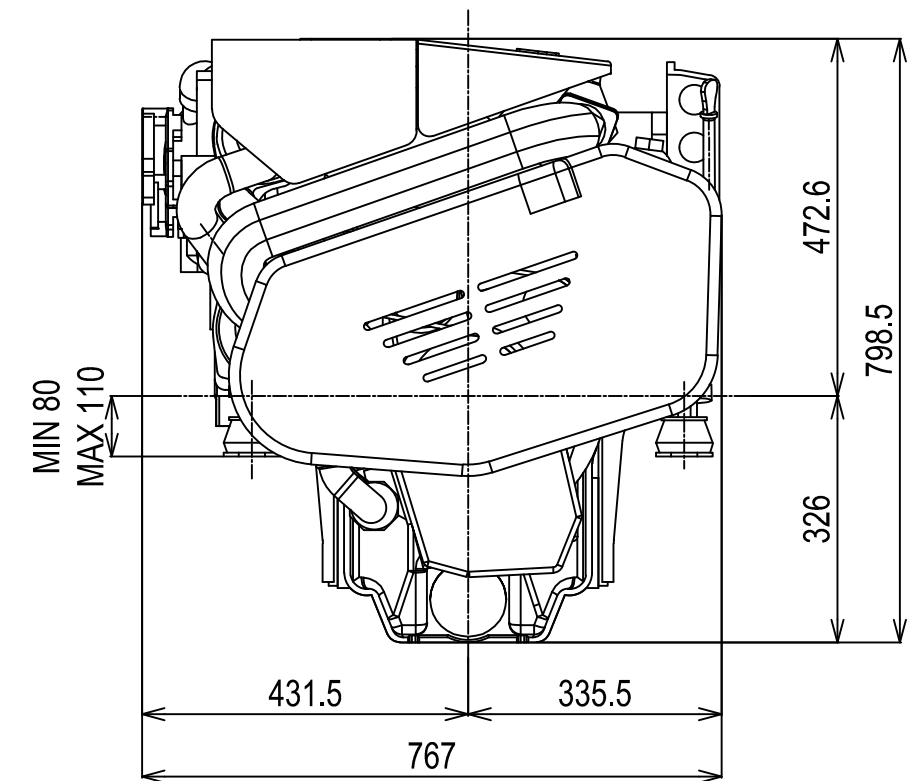
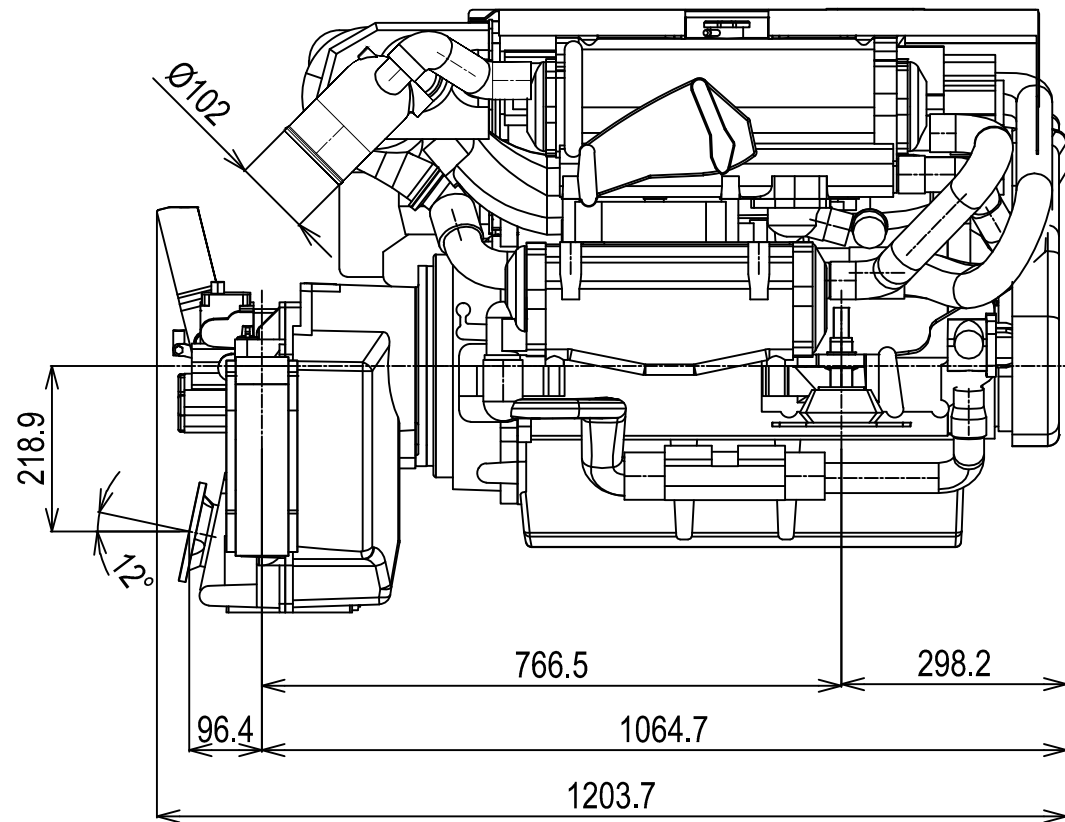
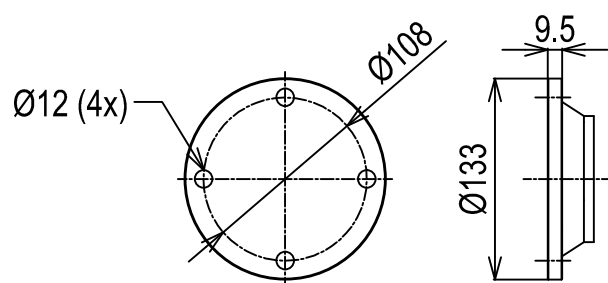


**DETAIL OF MOUNTING BLOCK**



**DETAIL OF COUPLING**



**NOTE:**

- 1.DWG.SHOWS MOUNTING BLOCKS AT ORIGINAL HEIGHT. ENGINE WEIGHT WILL COMPRESS BLOCKS BY 4MM(APPROX).
- 2.MOUNTING BLOCKS ARE EQUIPPED FOR STANDARD ACCESSORY.
- 3.● SHOWS THE CENTER OF GRAVITY.
- 4.FOR ADDITIONAL INSTALLATION INFORMATION AND SPECIFICATIONS PLEASE REFER TO THE YANMAR ENGINE INSTALLATION MANUAL

Engine: 6BY3-260(220)\_KMH50V

Release: 03-06-2008

Scale: 1:10

Date: 01-04-2013

Dimensions: mm

**YANMAR**