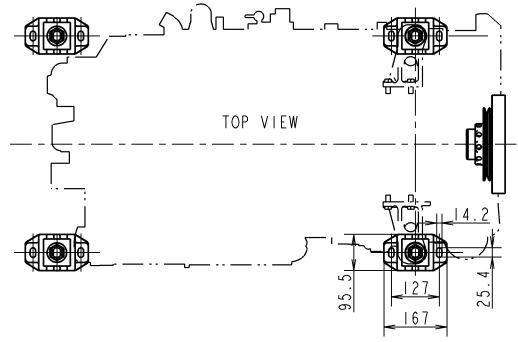
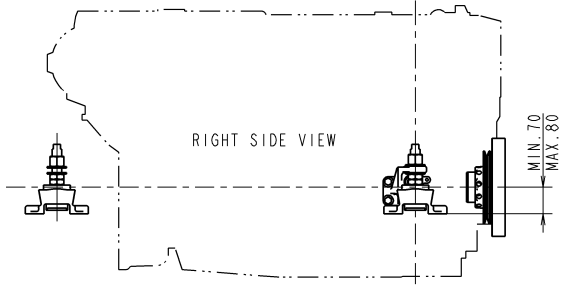


C A R E E R

1/2 表紙

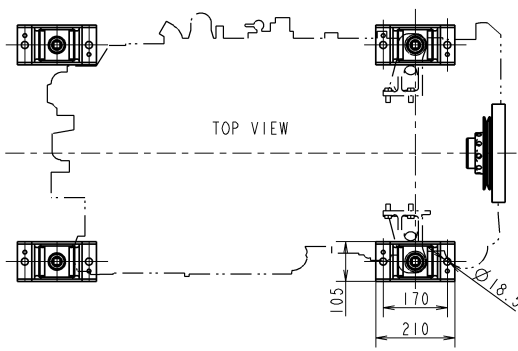


TOP VIEW

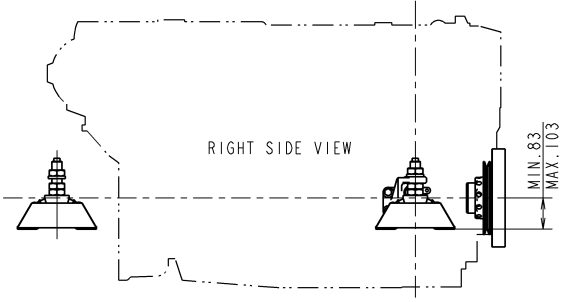


RIGHT SIDE VIEW

BARRY CONTROL ISOLATION MOUNTS (OPTION)

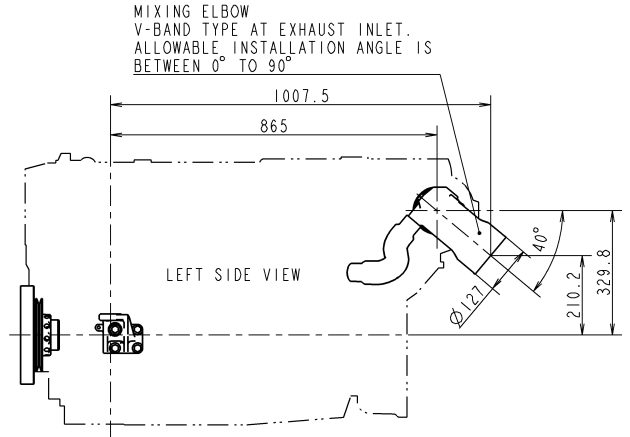


TOP VIEW



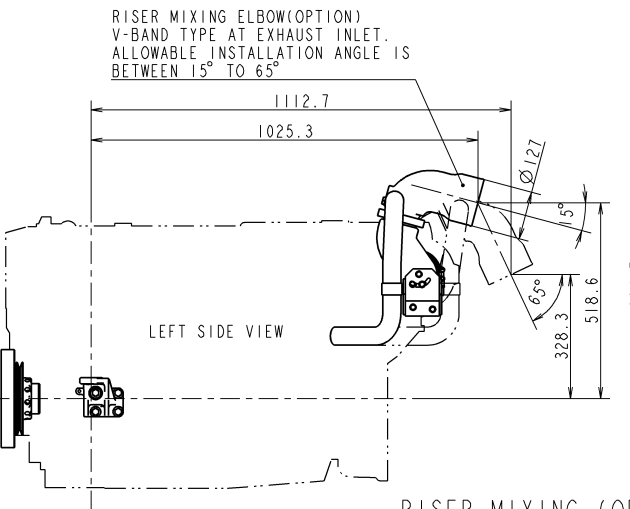
RIGHT SIDE VIEW

YT-15 ISOLATION MOUNTS (OPTION)



LEFT SIDE VIEW

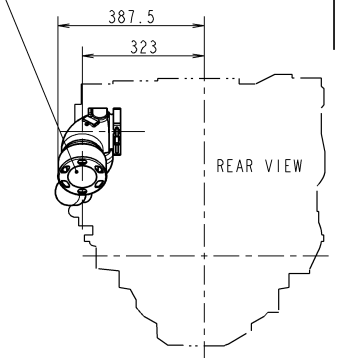
MIXING ELBOW (STANDARD)



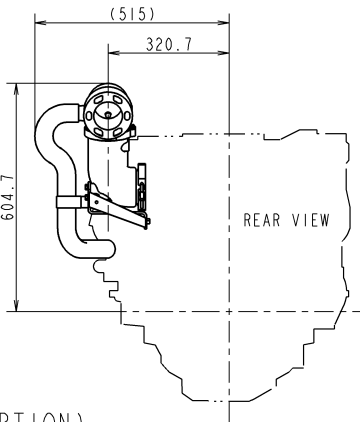
LEFT SIDE VIEW

RISER MIXING (OPTION)

MIXING ELBOW RUBBER HOSE
INNER DIA. 5 INCH



REAR VIEW



REAR VIEW

量産用
FOR MASS PRODUCTION

MANAGER

野村

SEC. MANAGER 小山	MODEL 6LY2A/6LY2A STP UTP	SCALE 1:10
CHECKED 廣松	SPECIALIST	MATERIAL
DESIGNED 中村夕	DATE: Y.M.D 2014.6.5	6LY2A OUTLINE
DRAWN 垣立		6LY2A OUTLINE(2/2)
YANMAR		CODE B2-19575-0520
YANMAR CO.,LTD. MARINE OPERATIONS DIV.		DRAW SIZE A2

With respect to the use of environmentally hazardous substances for the parts, the substances in use shall conform to the requirement specified in YIS V-0001J, "Restrictions of use for Environmentally Hazardous Substance".
 本製品の環境有害物質の使用に関し、部品に使用される物質は、YIS V-0001J(環境有害物質の使用制限)に準拠すること。

3D-CAD

NOTICE

GEOMETRICAL TOLERANCE

KIND OF TOLERANCE

THROU

PERPENDICULARITY

PARALLELISM

CIRCULAR RUNOUT

AREAL RUNOUT

SYMMETRY

POSITION

CONCENTRICITY

COINCIDENCE

FORM

FREE STATE

FIXED STATE

REFERENCE

MAXIMUM MATERIAL CONDITION

MINIMUM MATERIAL CONDITION

RELATIVE TO DIRECTION OF MEASUREMENT

RELATIVE TO FEATURE SURFACE

RELATIVE TO FEATURE AXIS

RELATIVE TO FEATURE MIDDLE PLANE

RELATIVE TO DATUM

RELATIVE TO THEORETICAL DATUM

RELATIVE TO THEORETICAL POINT

RELATIVE TO THEORETICAL AXIS

RELATIVE TO THEORETICAL MIDDLE PLANE

RELATIVE TO THEORETICAL POINT

RELATIVE TO THEORETICAL AXIS

RELATIVE TO THEORETICAL MIDDLE PLANE