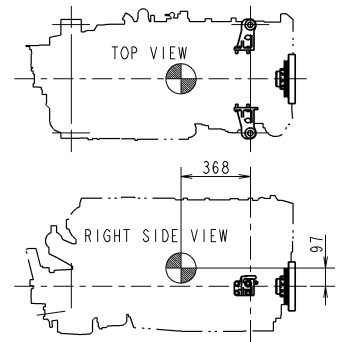
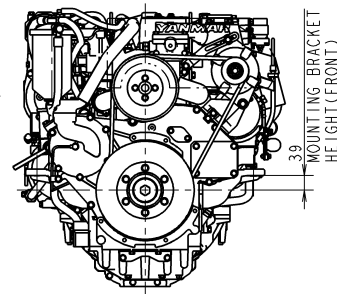
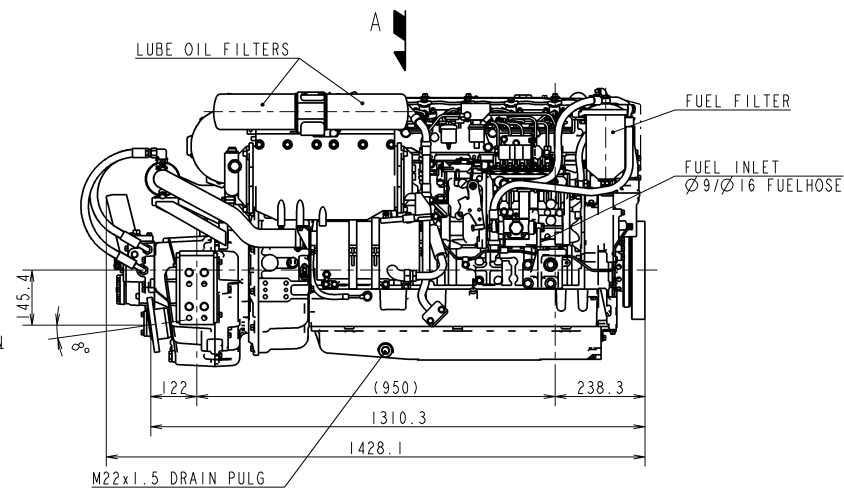
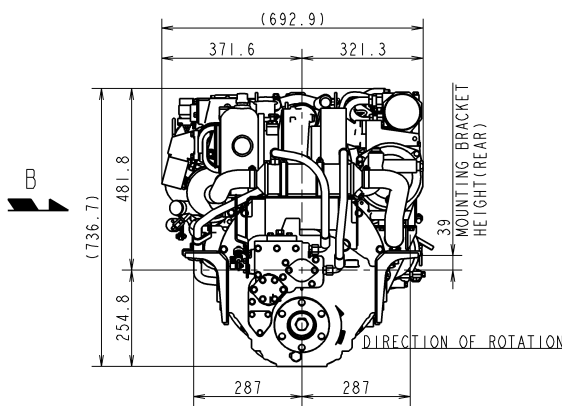
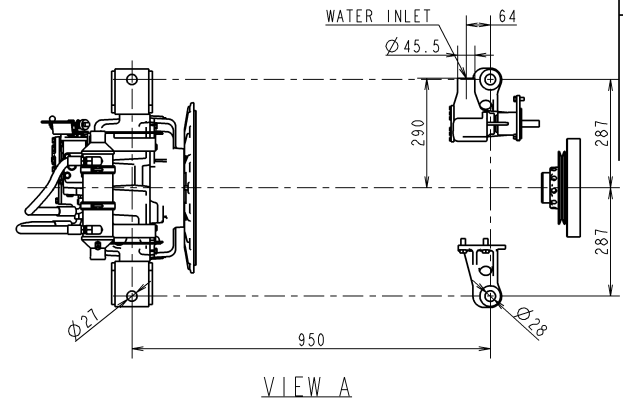
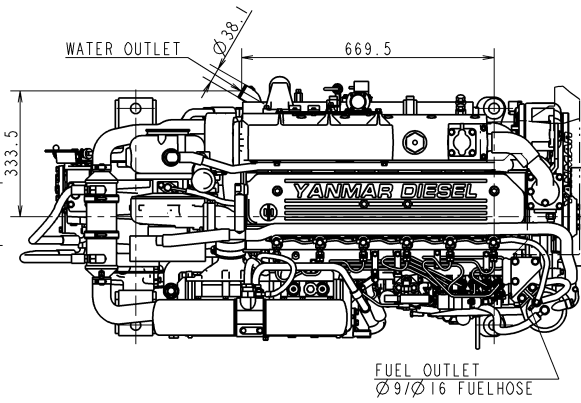
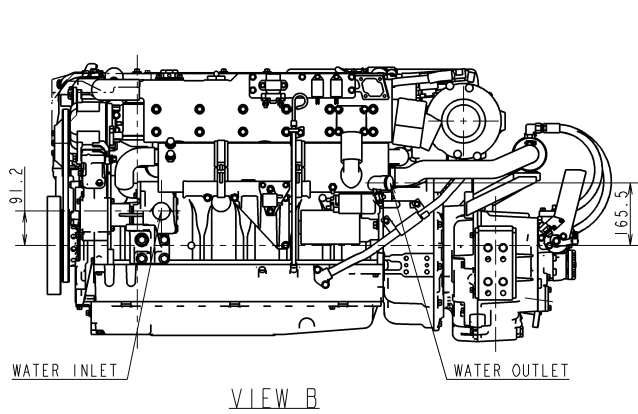
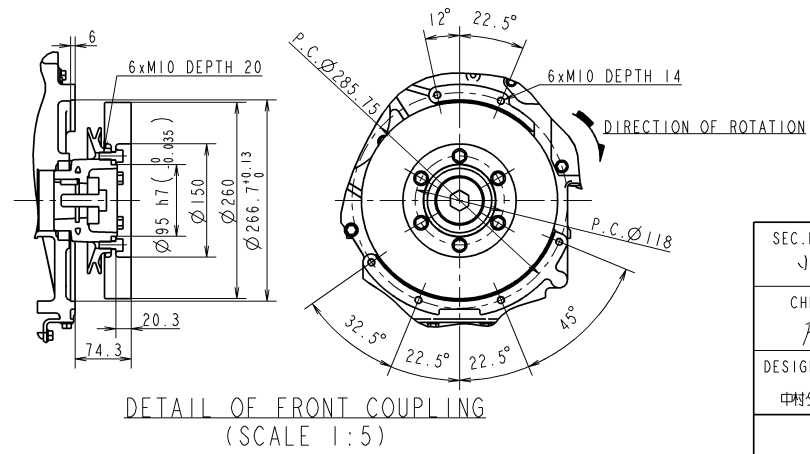
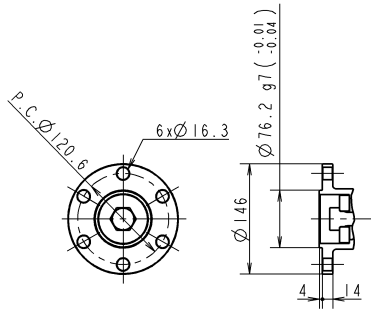


C A R E E R

本図新製する。(YDSBD-14011)
 1改(2014.09.22)図面修正し、6LY2A
 -STPと統合する。(YDSBD-14017)(中村夕)



CENTER OF GRAVITY
 DRY WEIGHT : 612 kg
 (SCALE 1:20)



With respect to the use of environmentally hazardous substances for the parts, the substances in use shall conform to the requirement specified in YIS V-0001J, "Restrictions of use for Environmentally Hazardous Substances".

本製品の環境有害物質の使用規制では、YIS V-0001J(環境有害物質の使用制限)を遵守すること。

3D-CAD

GEOMETRICAL TOLERANCE	THROUGH
KIND OF TOLERANCE	THROUGH
FINISH	
PROTECTIVE FILM	
WELDING	
WELDING POSITION	
WELDING METHOD	
WELDING WIRE	
WELDING CURRENT	
WELDING SPEED	
WELDING POWER	
WELDING TIME	
WELDING TEMPERATURE	
WELDING DEFECT	
WELDING INSPECTION	
WELDING RECORD	
WELDING APPROVAL	

MANAGER
 野村

SEC. MANAGER 小川	MODEL 6LY2A -STP UTP	SCALE 1:10 (1:5)
CHECKED 廣松	SPECIALIST	MATERIAL
DESIGNED 中村夕	DATE: Y.M.D 2014.6.5	6LY2A X KMH60A
YANMAR		CODE B2-19575-0530
YANMAR CO.,LTD. MARINE OPERATIONS DIV.		DRAWN SIZE A2