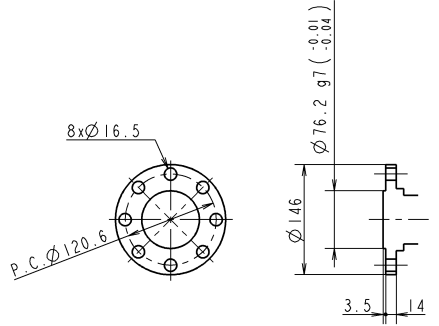
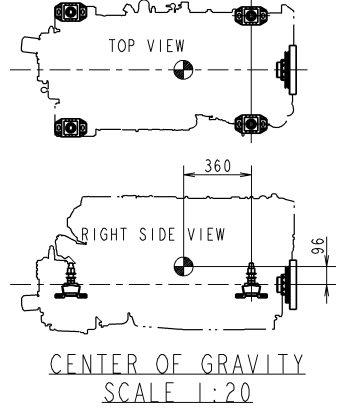
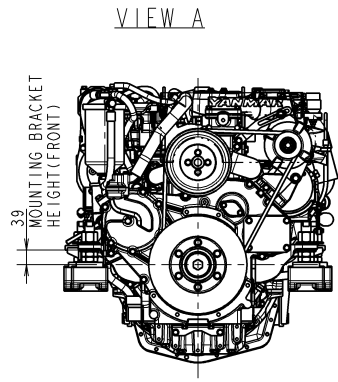
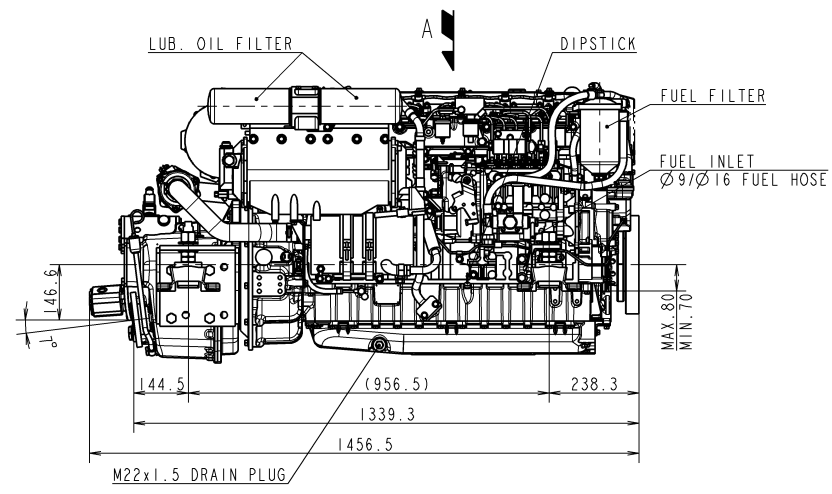
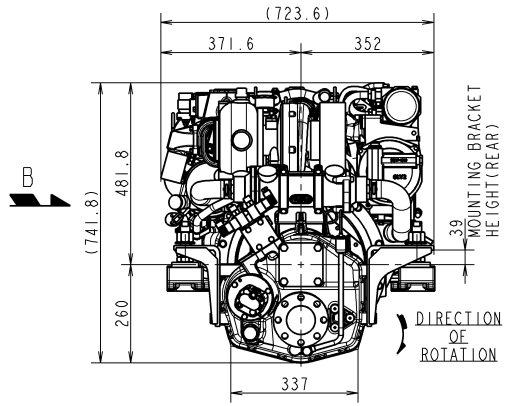
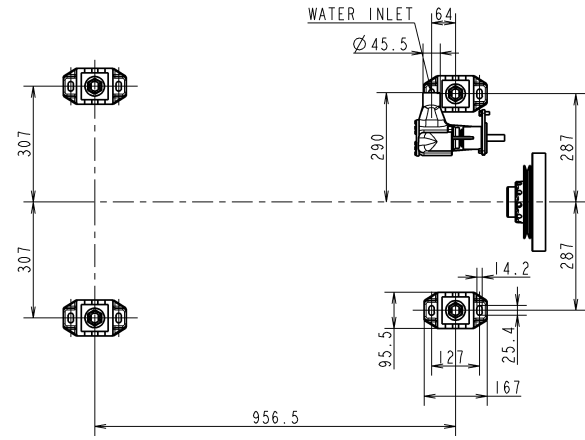
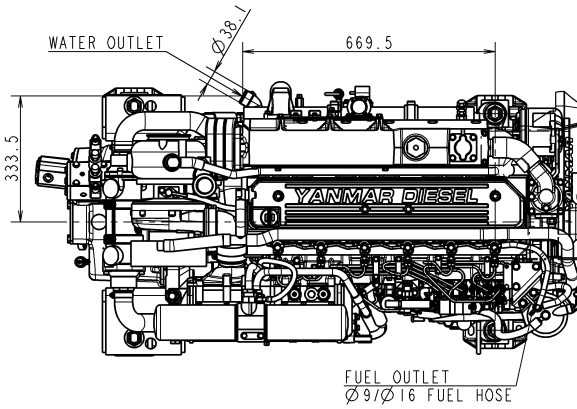
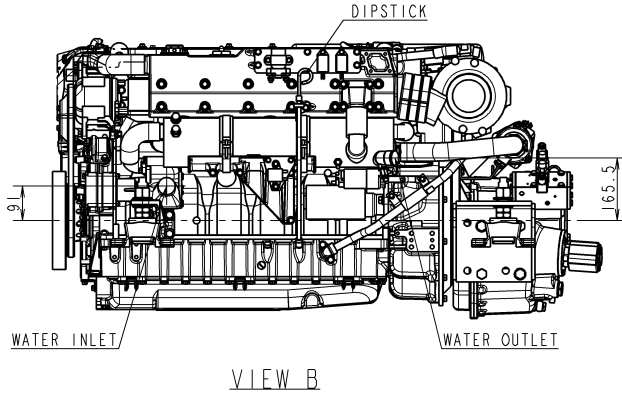
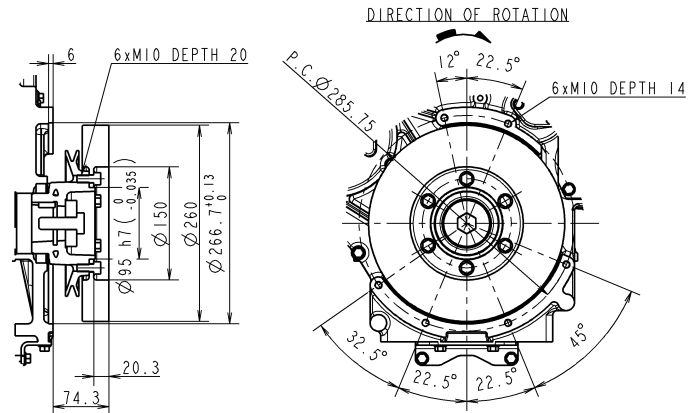


C A R E E R



DETAIL OF COUPLING SCALE 1:5



DETAIL OF FRONT COUPLING SCALE 1:5

特別注文用 FOR SPECIAL ORDER

6LY2A x ZF280-1A BARRY CONTROL MOUNT

MANAGER 山口

SEC. MANAGER	日比野	MODEL	6LY2A series	SCALE	1:10 (1:5)
CHECKED	志賀	SPECIALIST	QTY	-	MATERIAL
DESIGNED	北本	DATE: Y.M.D	2018.10.01	6LY2A X ZF280-1A	
DRAWN			大橋	6LY2A X ZF280-1A	
				CODE	B3-19575-0020
YANMAR CO., LTD. DEVELOPMENT DIV.				DRAWN SIZE	A2