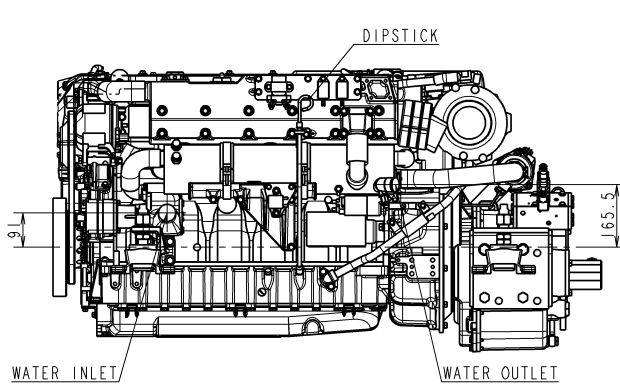
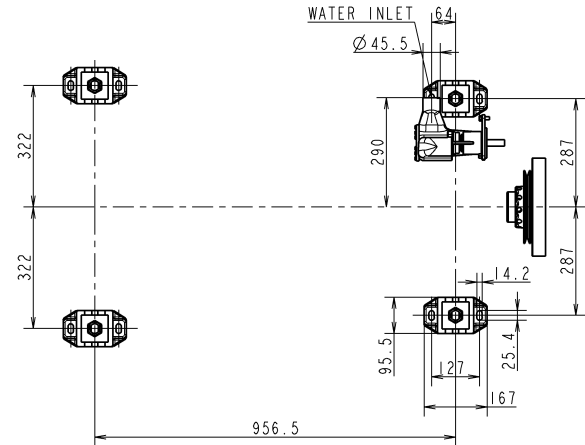
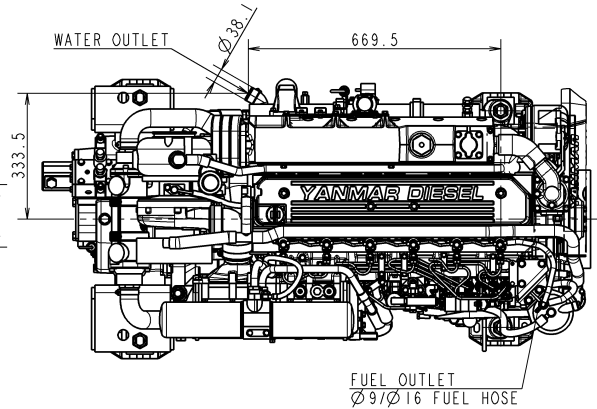


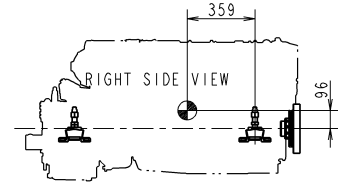
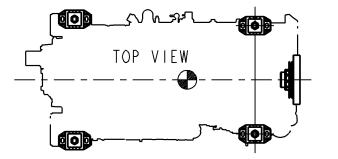
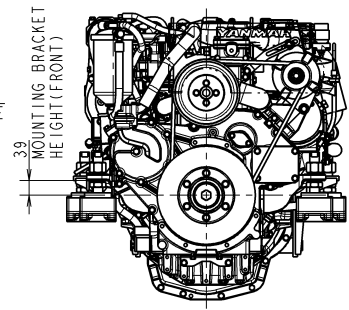
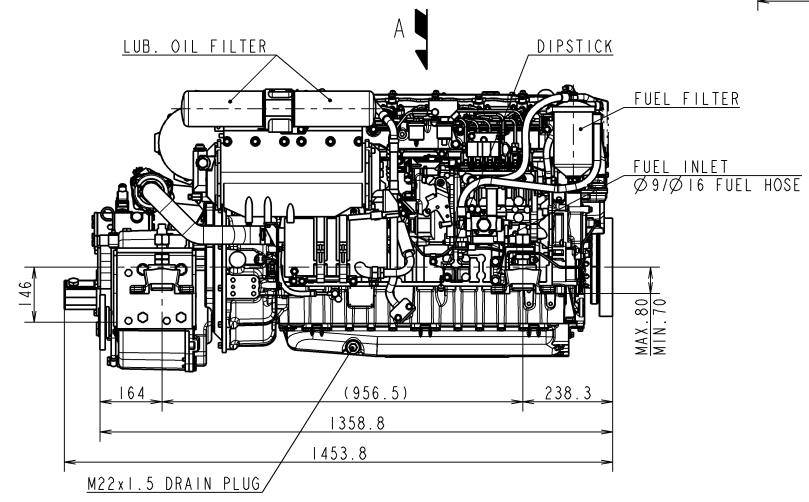
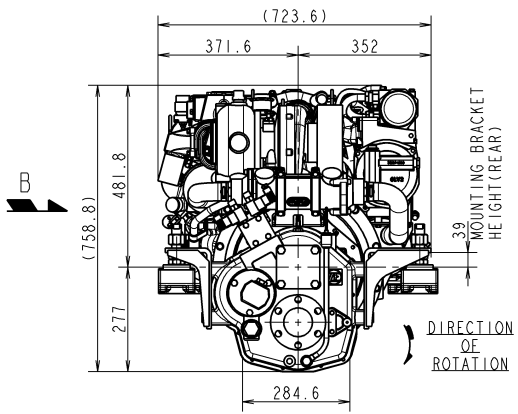
CAREER



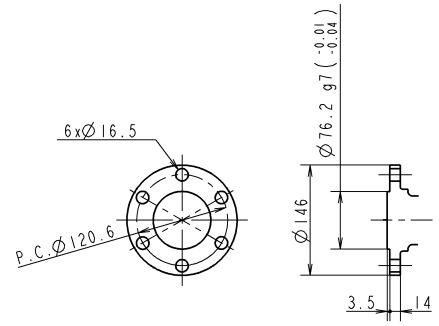
VIEW B



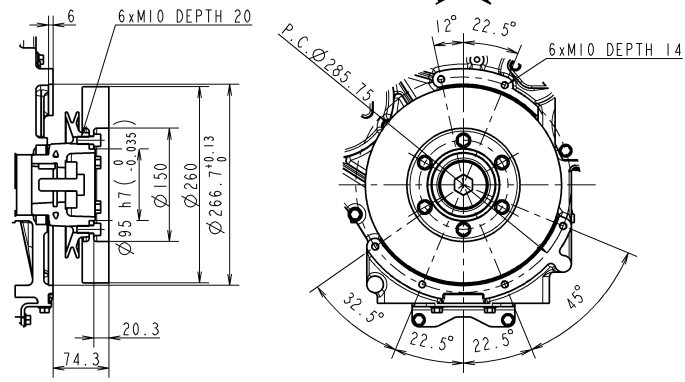
VIEW A



CENTER OF GRAVITY SCALE 1:20



DETAIL OF COUPLING SCALE 1:5



DETAIL OF FRONT COUPLING SCALE 1:5

特別注文
FOR SPECIAL ORDER

6LY2A x ZF280-1
BARRY CONTROL MOUNT

MANAGER
山口

SEC. MANAGER 日比野	MODEL 6LY2A series	SCALE 1:10 (1:5)
CHECKED 志賀	SPECIALIST QTY -	MATERIAL
DESIGNED 北本	DRAWN 大橋	DATE: Y.M.D 2018.10.01
NAME 6LY2A X ZF280-1		
YANMAR YANMAR CO., LTD. DEVELOPMENT DIV.		CODE B3-19575-0010

DRAW SIZE
A2