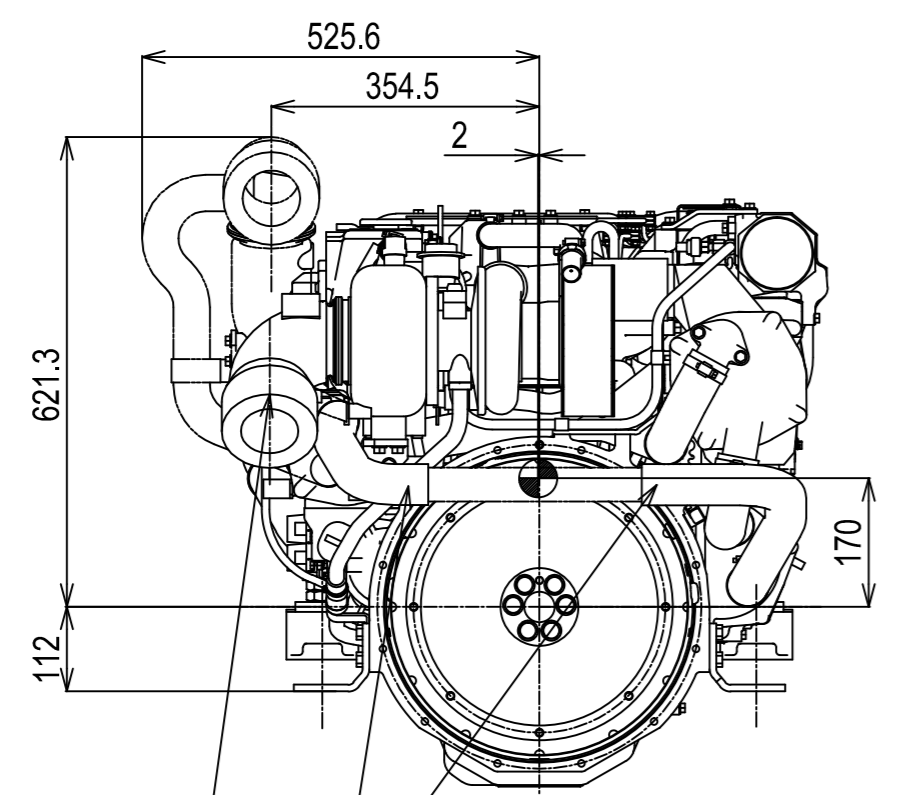
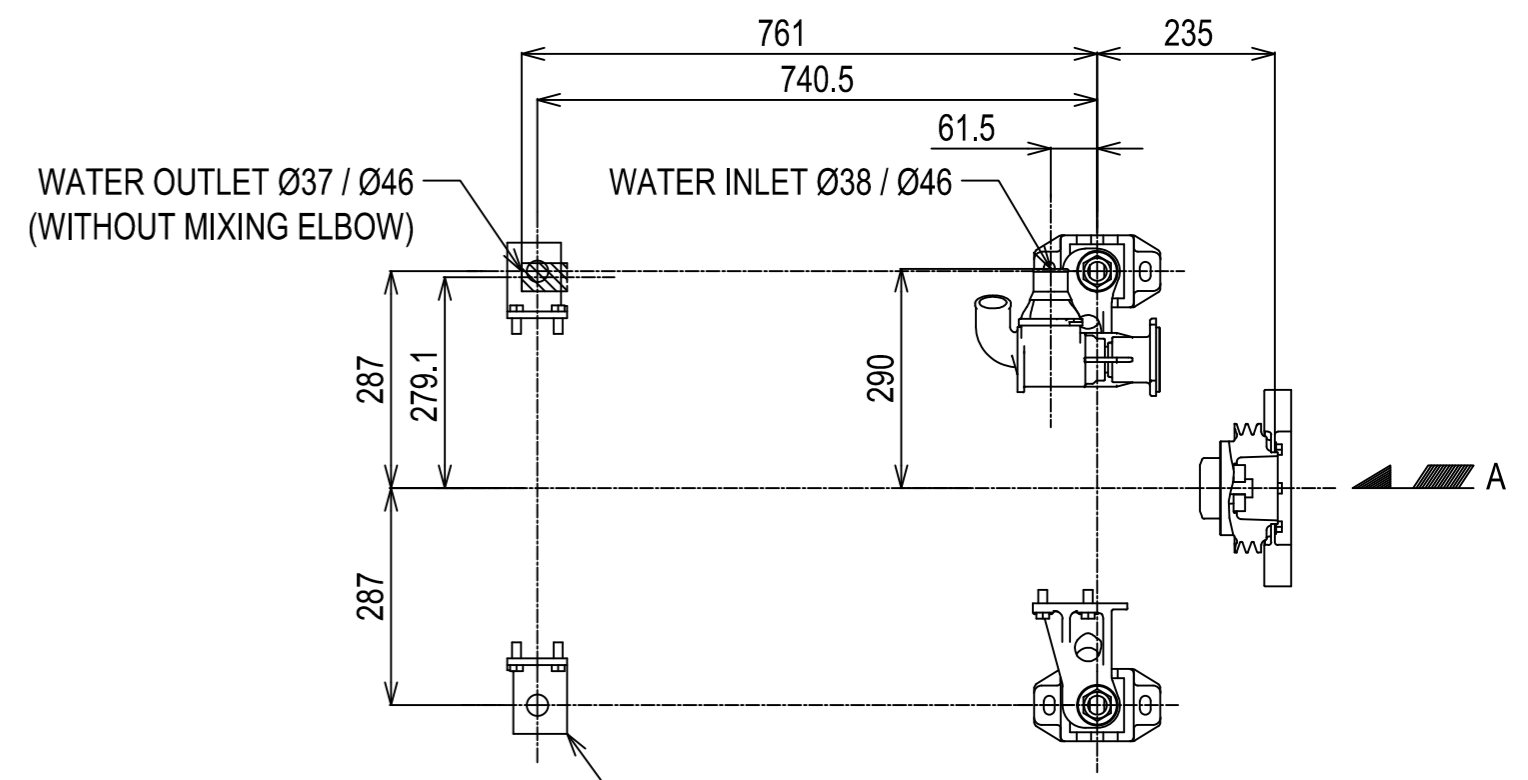
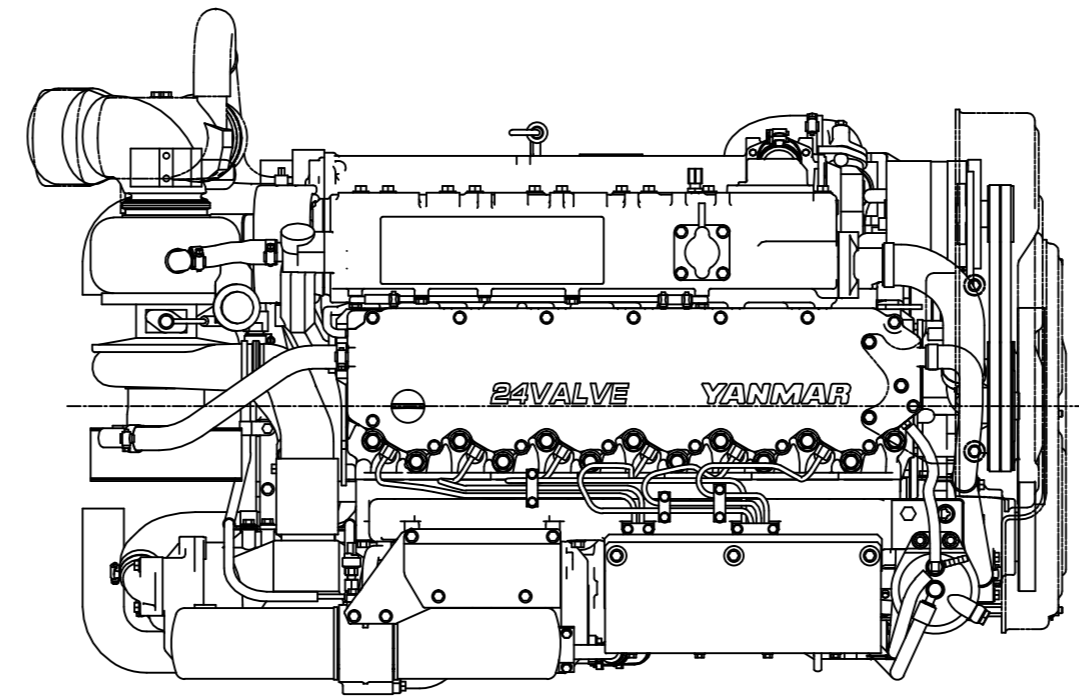


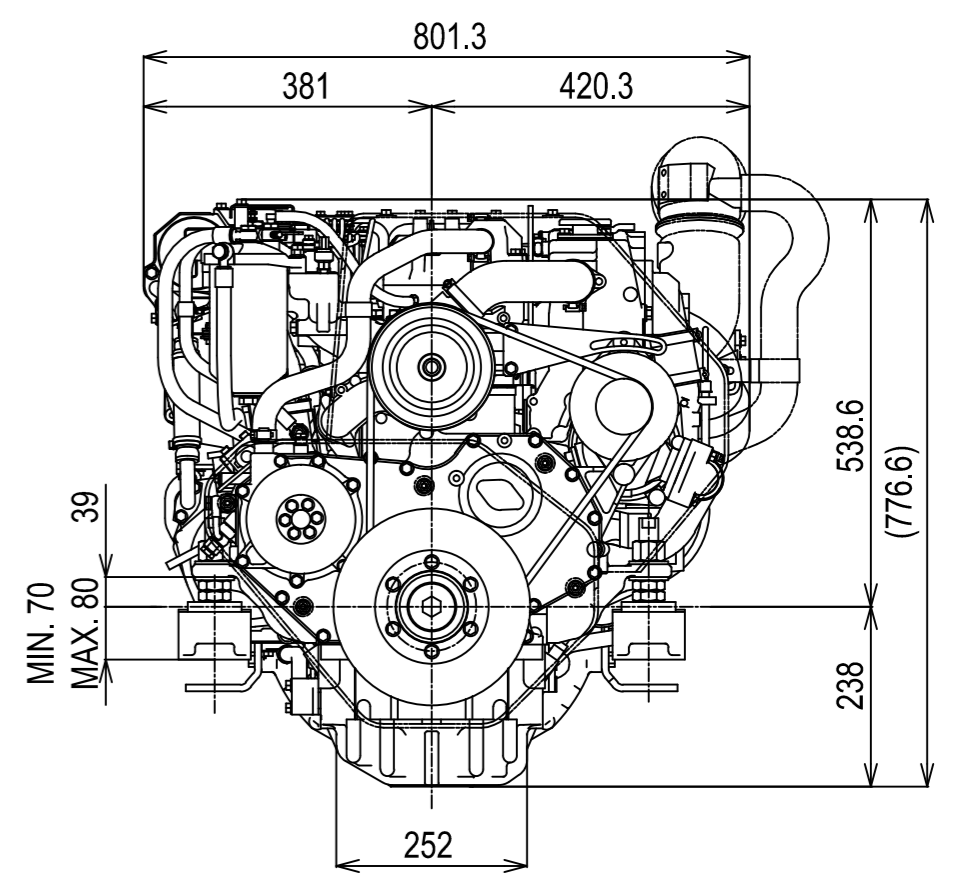
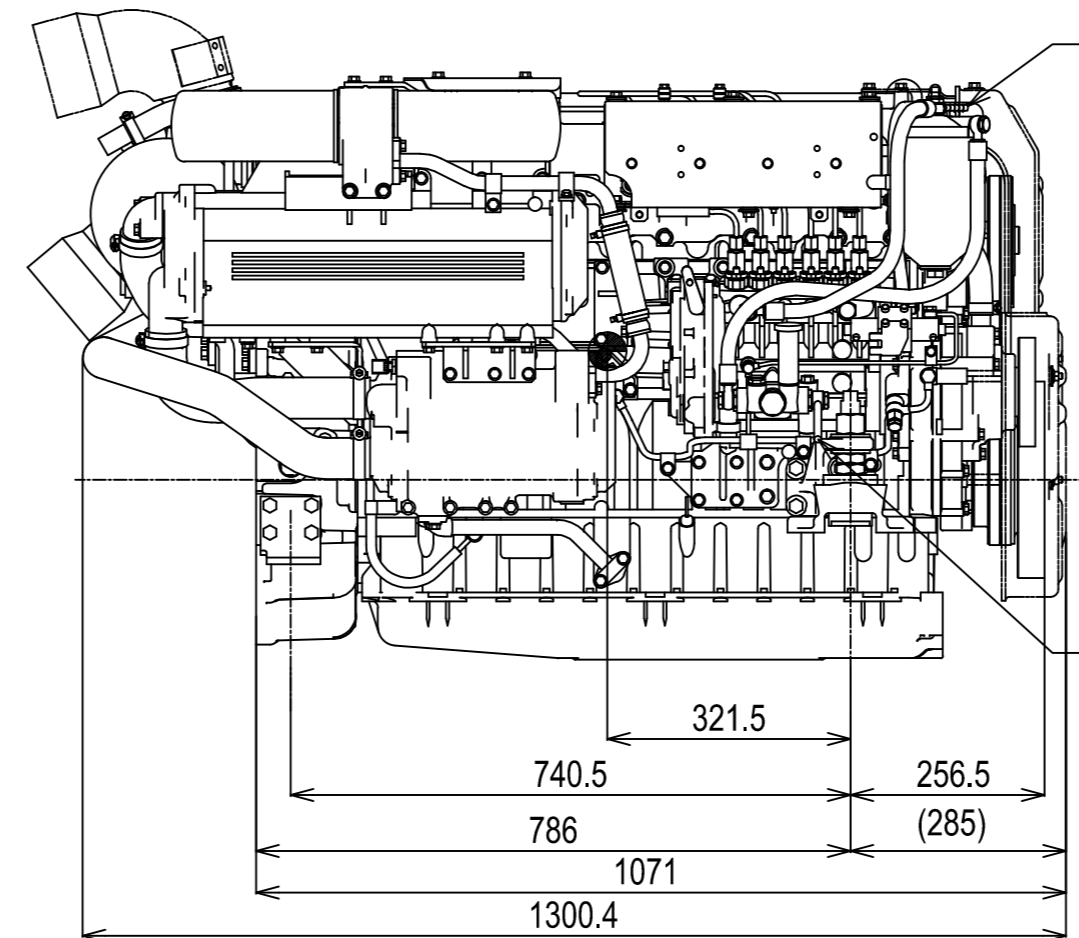
CENTER OF WATER INLET
CENTER OF WATER OUTLET (WITHOUT MIXING ELBOW)

RISER MIXING ELBOW(OPTION)
- V-BAND TYPE AT EXHAUST INLET.
- ALLOWABLE INSTALLATION ANGLE IS BETWEEN 30° TO 65°



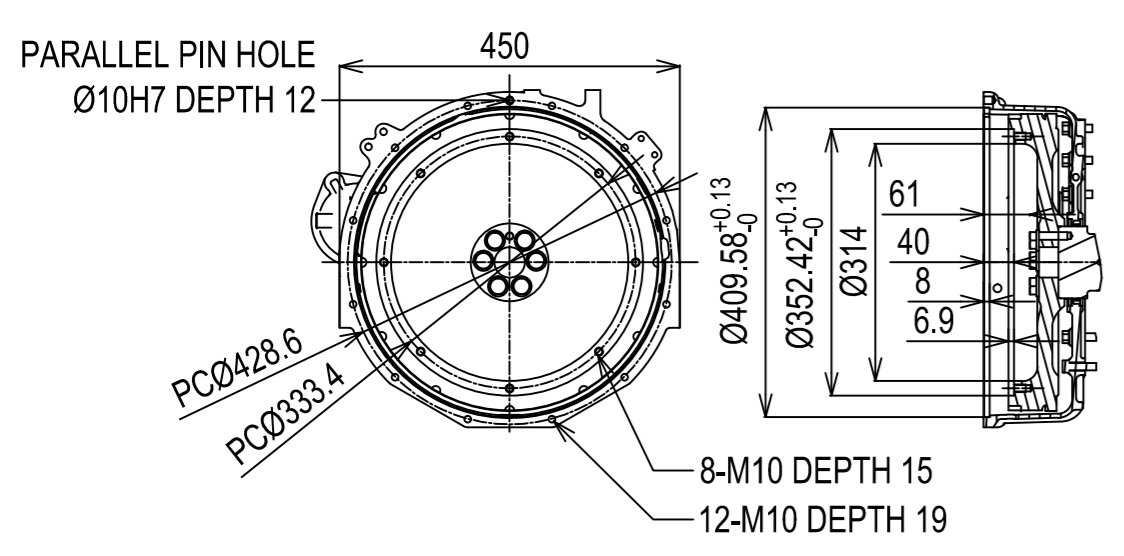
MIXING-ELBOW RUBBER HOSE
INNER DIA. 5 INCH

RUBBER HOSES SHOULD BE CONNECTED TO THE OILCOOLER OF MARINE GEAR.
WATER PASSAGE AREA IS OVER 12.5cm²

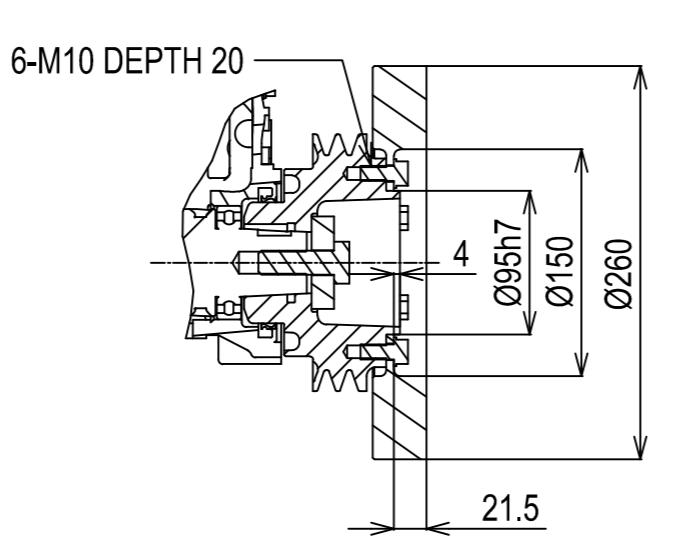


DETAIL OF MOUNTING BLOCK

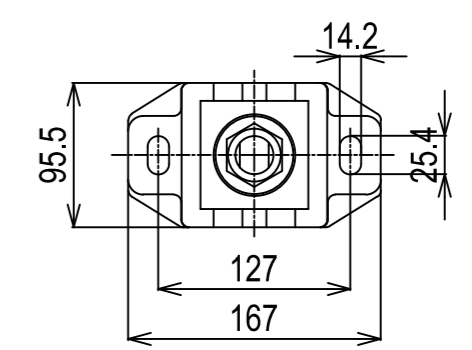
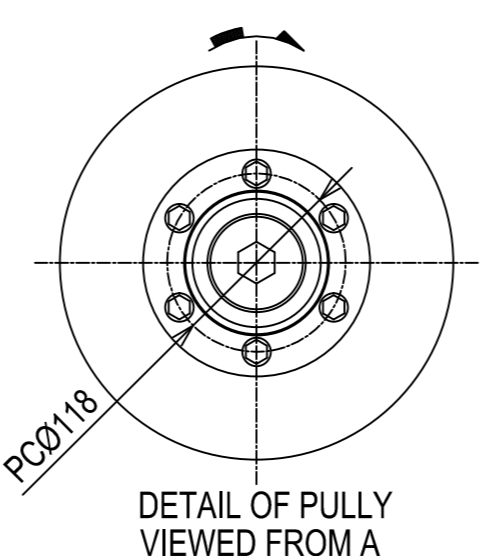
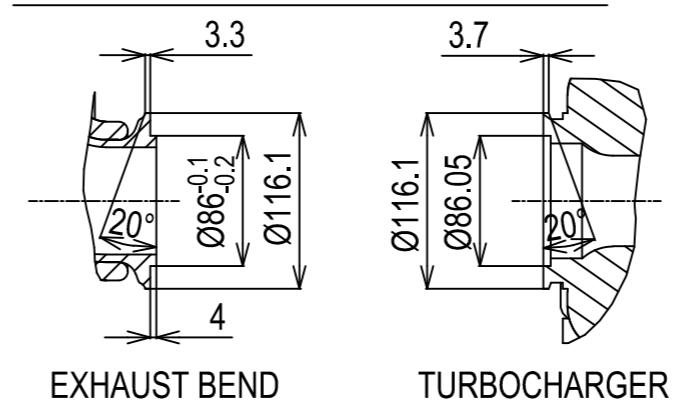
DETAIL OF FLYWHEEL



DIRECTION OF ROTATION



DETAIL OF TURBINE OUTLET



NOTE:

- DWG SHOWS MOUNTING BLOCKS AT ORIGINAL HEIGHT. ENGINE WEIGHT WILL COMPRESS BLOCKS BY 4MM (APPROX).
- MOUNTING BLOCKS ARE EQUIPPED FOR STANDARD ACCESSORY.
- SHOWS THE CENTER OF GRAVITY.
- FOR ADDITIONAL INSTALLATION INFORMATION AND SPECIFICATIONS PLEASE REFER TO THE YANMAR ENGINE INSTALLATION MANUAL

Engine:	6LY3A-ETP_BOBTAIL	Release:	16-06-2004
Scale:	1:10	Date:	01-04-2013
		Dimensions:	mm