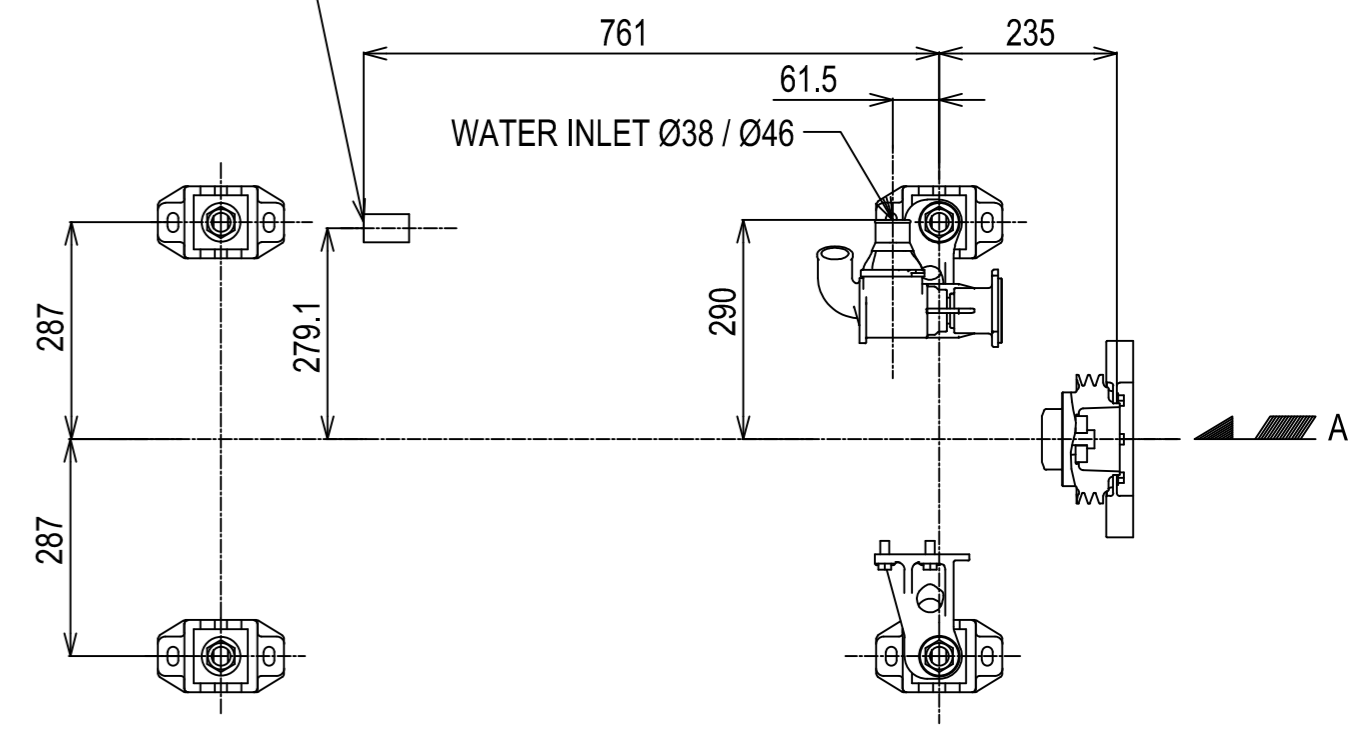
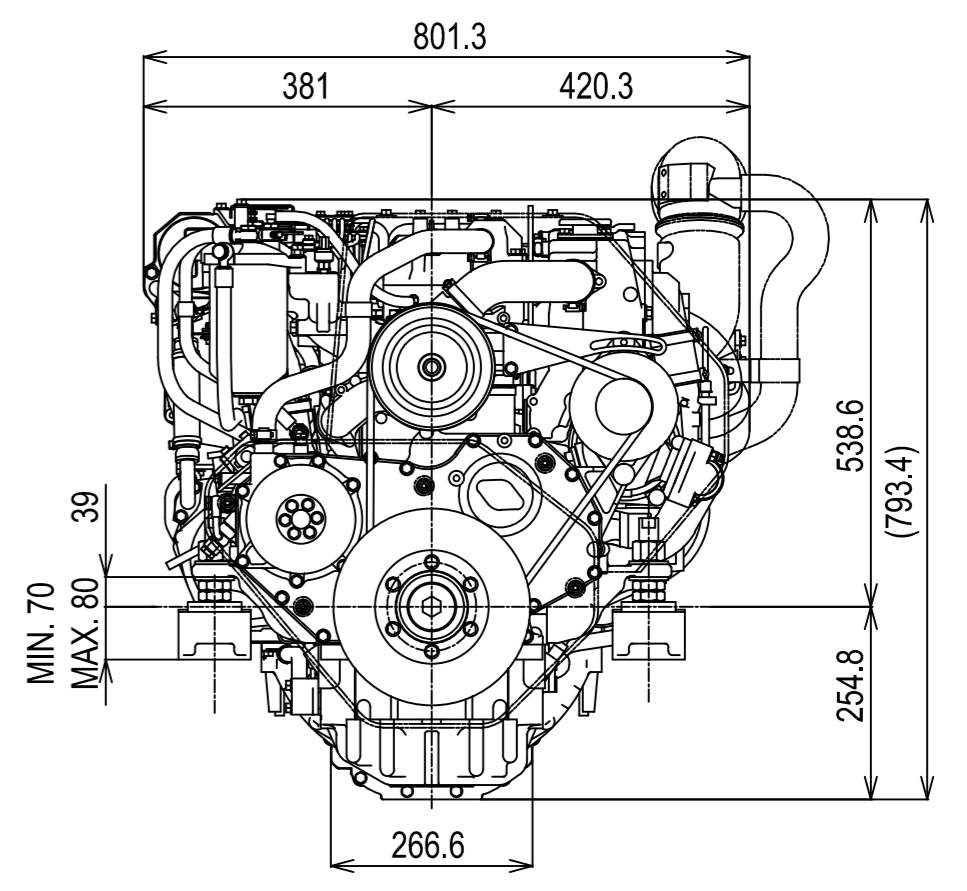
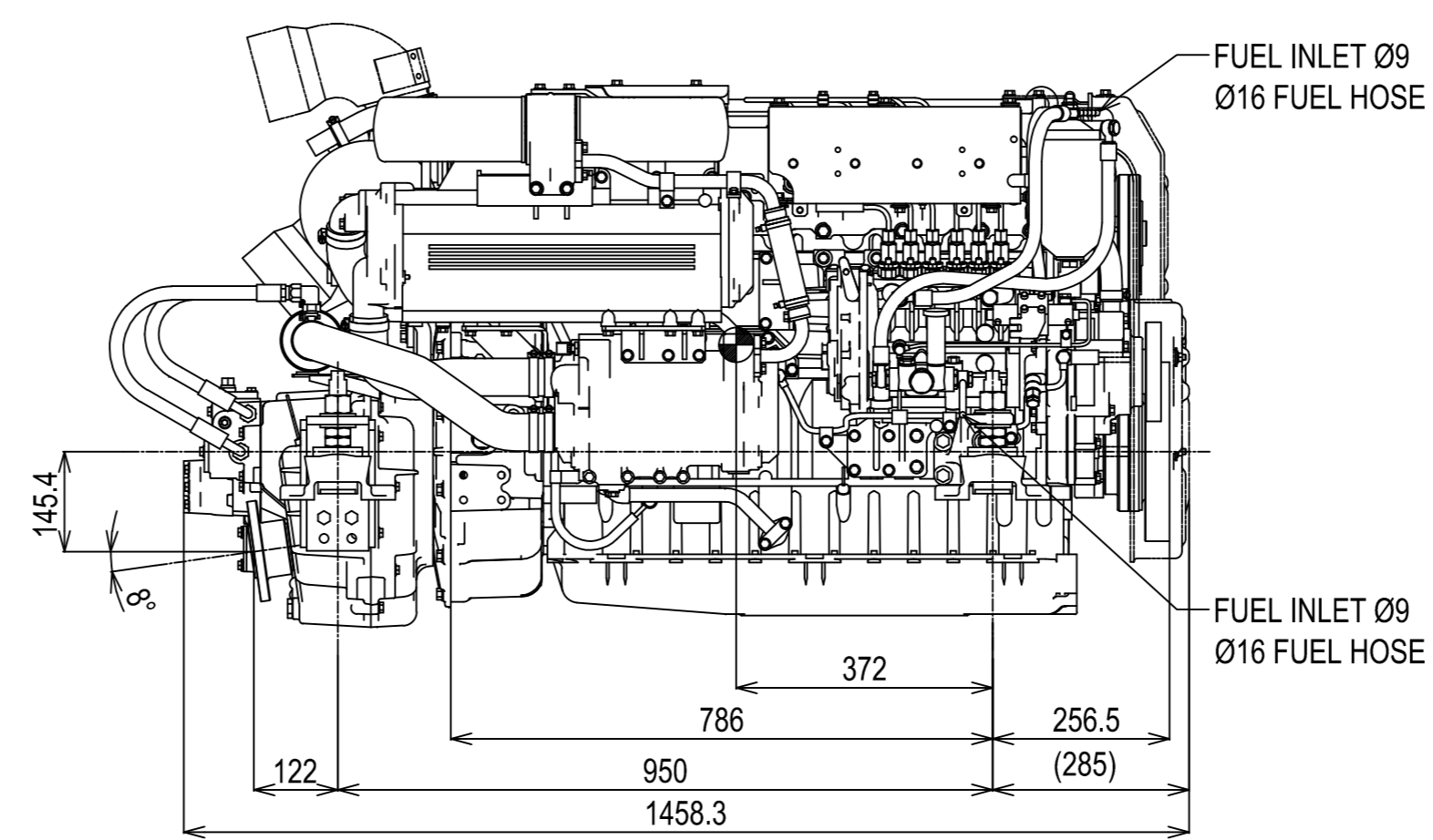
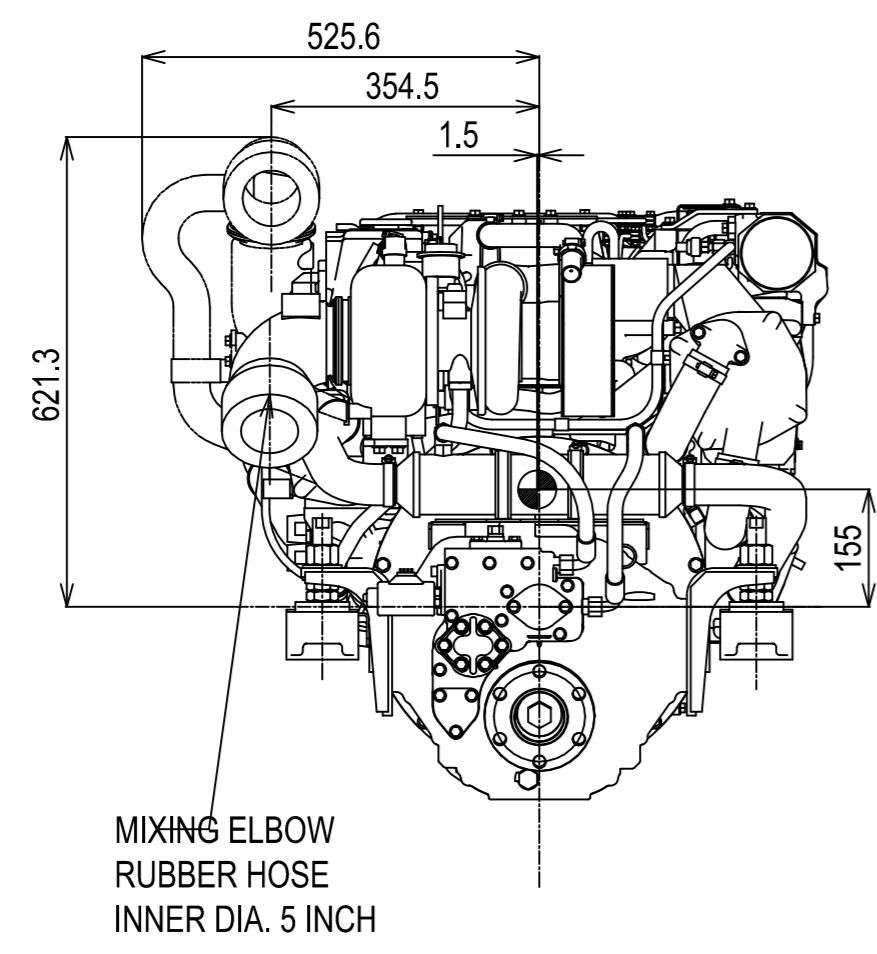


WATER OUTLET Ø37 / Ø46  
(WITHOUT MIXING ELBOW)

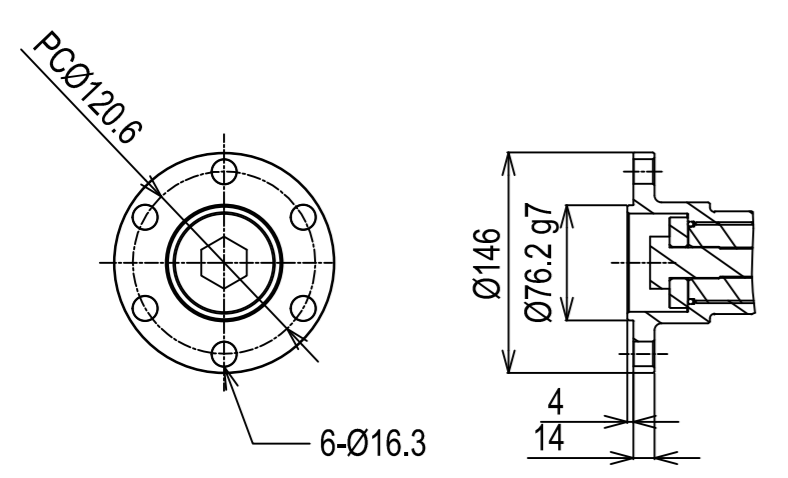


RISER MIXING ELBOW(OPTION)  
- V-BAND TYPE AT EXHAUST INLET.  
- ALLOWABLE INSTALLATION ANGLE IS BETWEEN 30° TO 65°

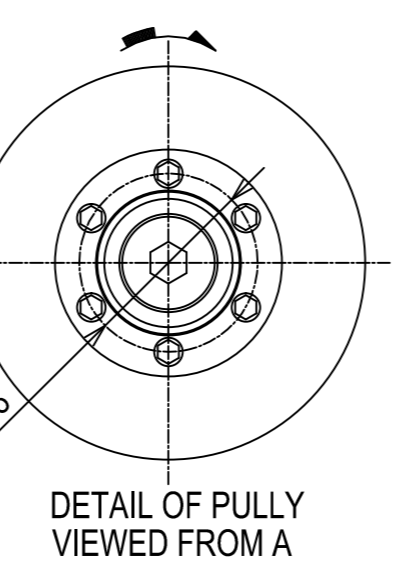
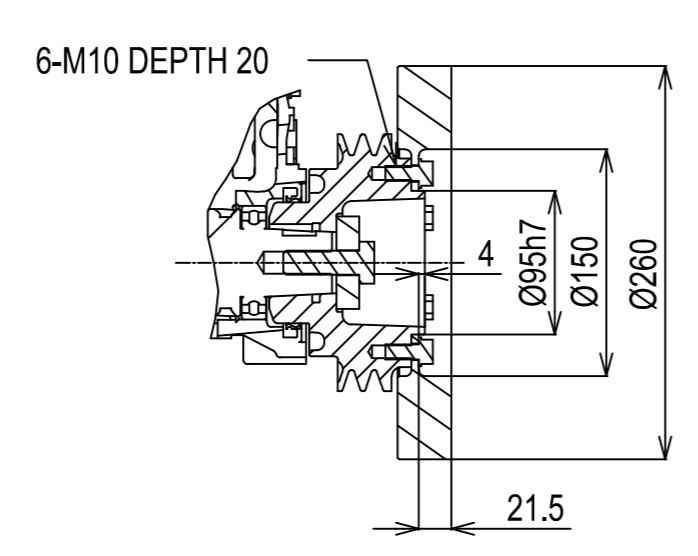


DETAIL OF MOUNTING BLOCK

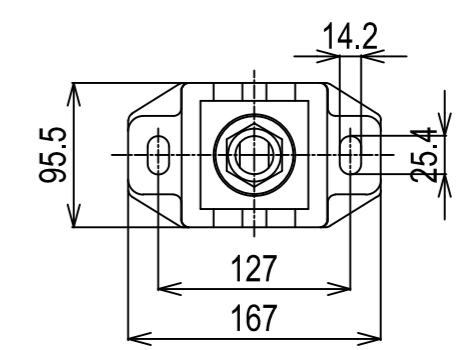
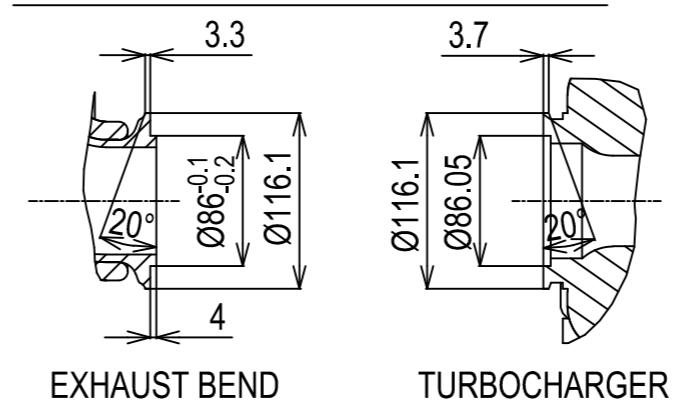
DETAIL OF COUPLING



DIRECTION OF ROTATION



DETAIL OF TURBINE OUTLET



NOTE:

- 1.DWG.SHOWS MOUNTING BLOCKS AT ORIGINAL HEIGHT. ENGINE WEIGHT WILL COMPRESS BLOCKS BY 4MM(APPROX).
- 2.MOUNTING BLOCKS ARE EQUIPPED FOR STANDARD ACCESSORY.
- 3.● SHOWS THE CENTER OF GRAVITY.
- 4.FOR ADDITIONAL INSTALLATION INFORMATION AND SPECIFICATIONS PLEASE REFER TO THE YANMAR ENGINE INSTALLATION MANUAL

Engine:	6LY3A-UTP_KMH61A	Release:	
Scale:	1:10	Date:	01-04-2013
		Dimensions:	mm