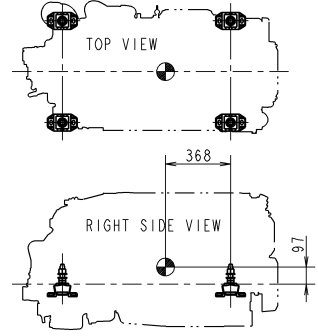
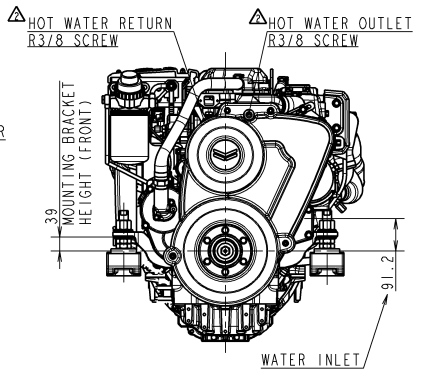
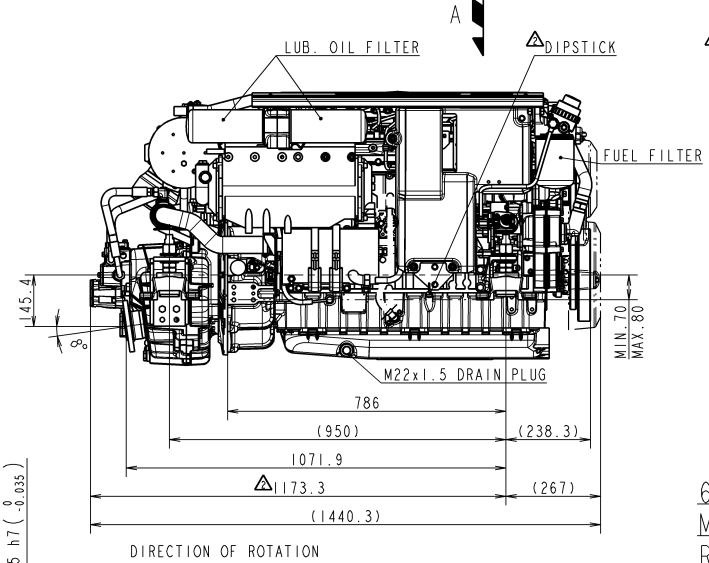
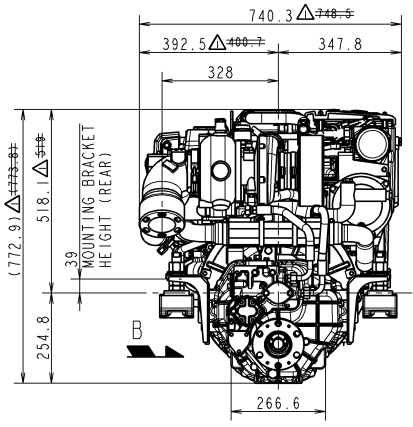
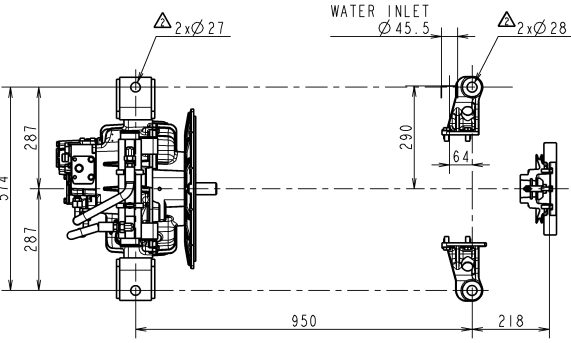
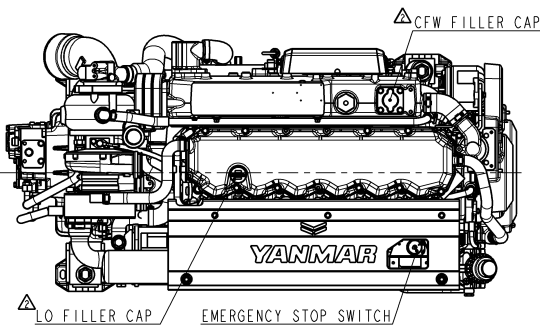
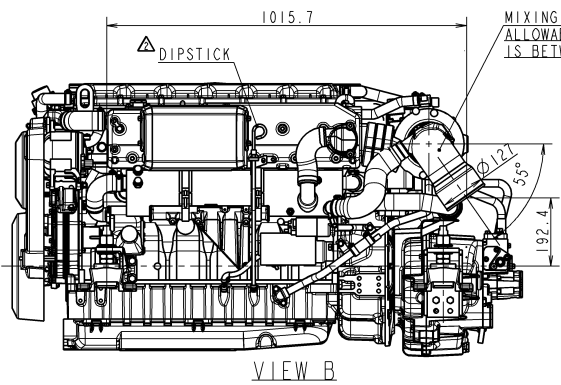


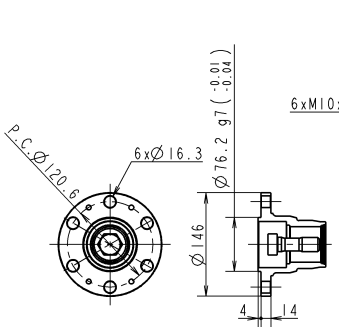
CAREER



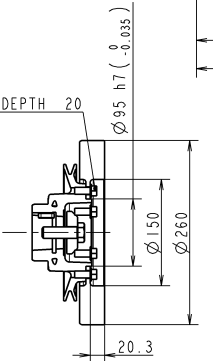
CENTER OF GRAVITY SCALE 1:20

6LY440/400 x KMH61A
MIXING FIBOW: L TYPE
RUBBER MOUNT: BARRY CONTROL

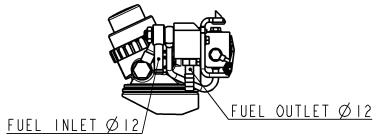
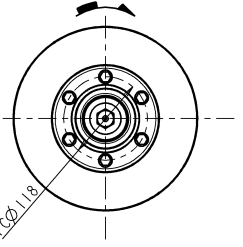
量産用 FOR MASS PRODUCTION



DETAIL OF COUPLING SCALE 1:5



DETAIL OF FRONT COUPLING SCALE 1:5



DETAIL OF FUEL INLET/OUTLET SCALE 1:5

NOTES SEE DRAWING NO. B2-19581-0010 2/3~3/3 FOR OTHER OPTIONS.

SEC. MANAGER		MODEL		6LY440	6LY400	SCALE		1:10 (1:5)
CHECKED		SPECIALIST		QTY		MATERIAL		
DESIGNED		DRAWN	DATE: Y.M.D	NAME		6LY440/400 X KMH61A		
YANMAR		REV. I REV. 2		CODE		B2-19581-0020		
YANMAR POWER TECHNOLOGY CO., LTD.		DRAWN		SCALE		A2		

3D-CAD
NOTICE
GEOMETRICAL TOLERANCE
KIND OF TOLERANCE
SURFACE FINISH
DIMENSIONAL TOLERANCE
POSITIONAL TOLERANCE
FORM TOLERANCE
MATERIAL
TREATMENT
OTHER