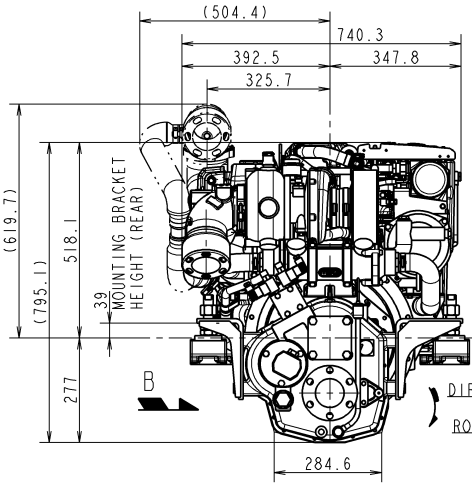
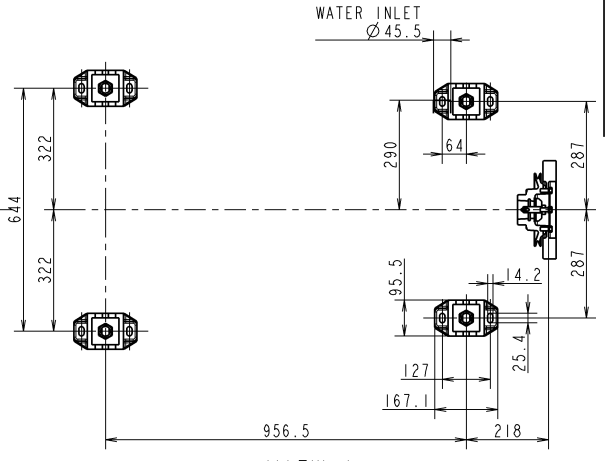
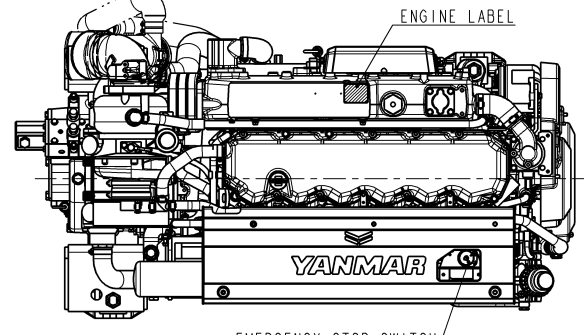
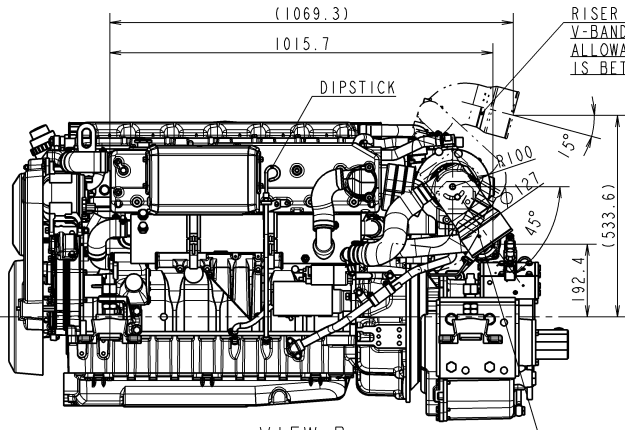
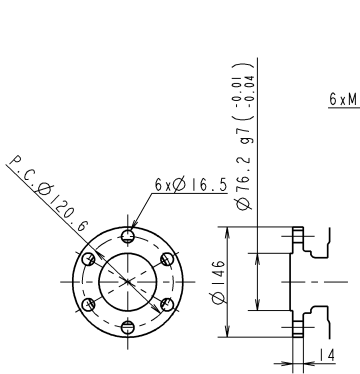
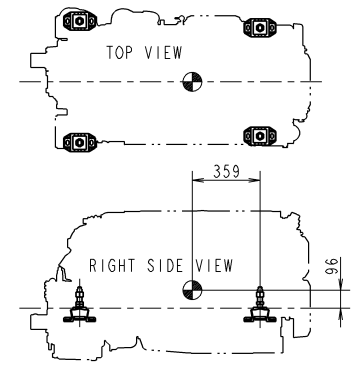
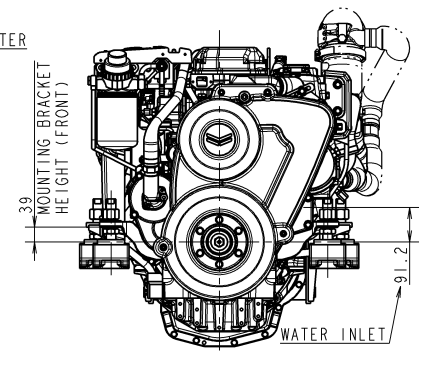
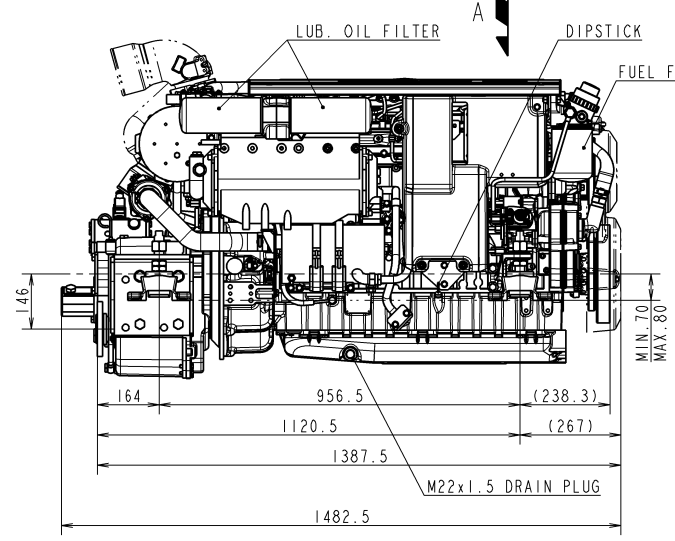


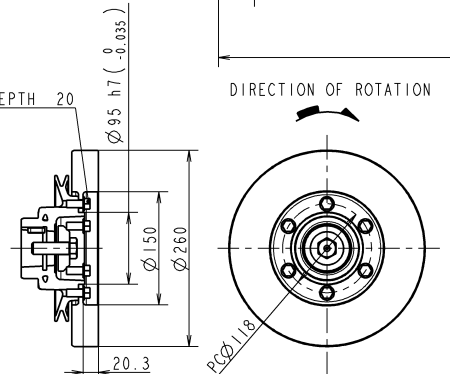
CAREER



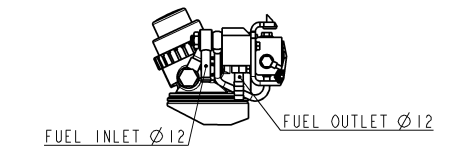
MIXING ELBOW (OPTION)  
V-BAND TYPE AT EXHAUST INLET.  
ALLOWABLE INSTALLATION ANGLE BETWEEN 0° TO 45°.



DETAIL OF COUPLING  
SCALE 1:5



DETAIL OF FRONT COUPLING  
SCALE 1:5



DETAIL OF FUEL INLET/OUTLET  
SCALE 1:5

6LY440 x ZF280-1  
BARRY CONTROL MOUNT

特別注文用  
FOR SPECIAL ORDER

MANAGER  
山口

SEC. MANAGER 志崎	MODEL 6LY440 series	SCALE 1:10 (1:5)
CHECKED 志賀	SPECIALIST	MATERIAL
DESIGNED 北本	DATE: Y.M.D 2018.05.25	6LY440 X ZF280-1
<b>YANMAR</b> YANMAR CO., LTD. DEVELOPMENT DIV.		REV. 1 CODE B3-19581-0060 DRAW SIZE A2