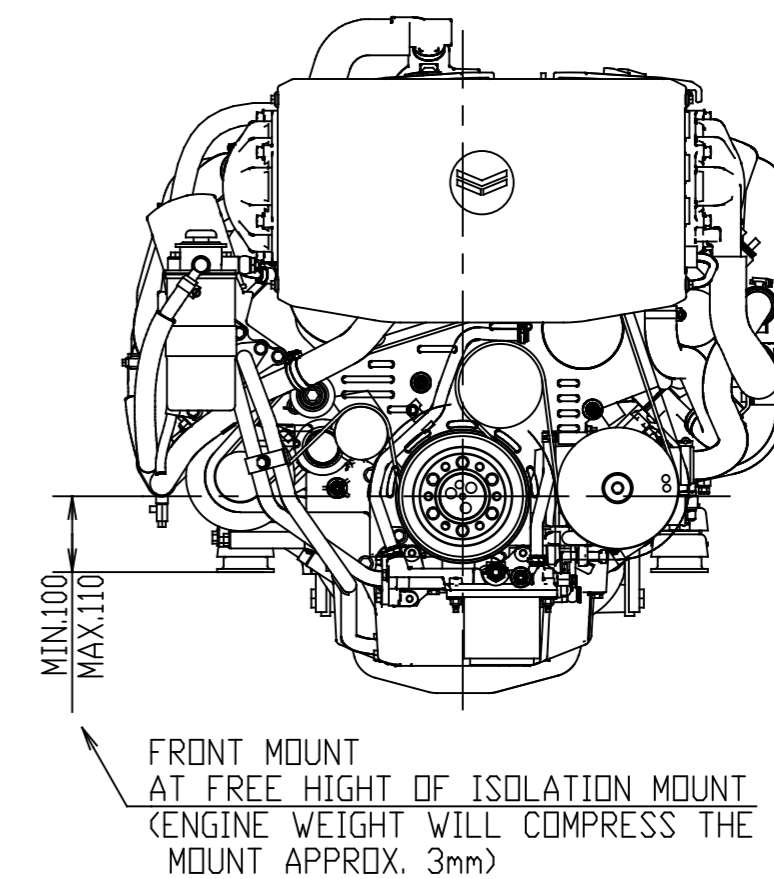
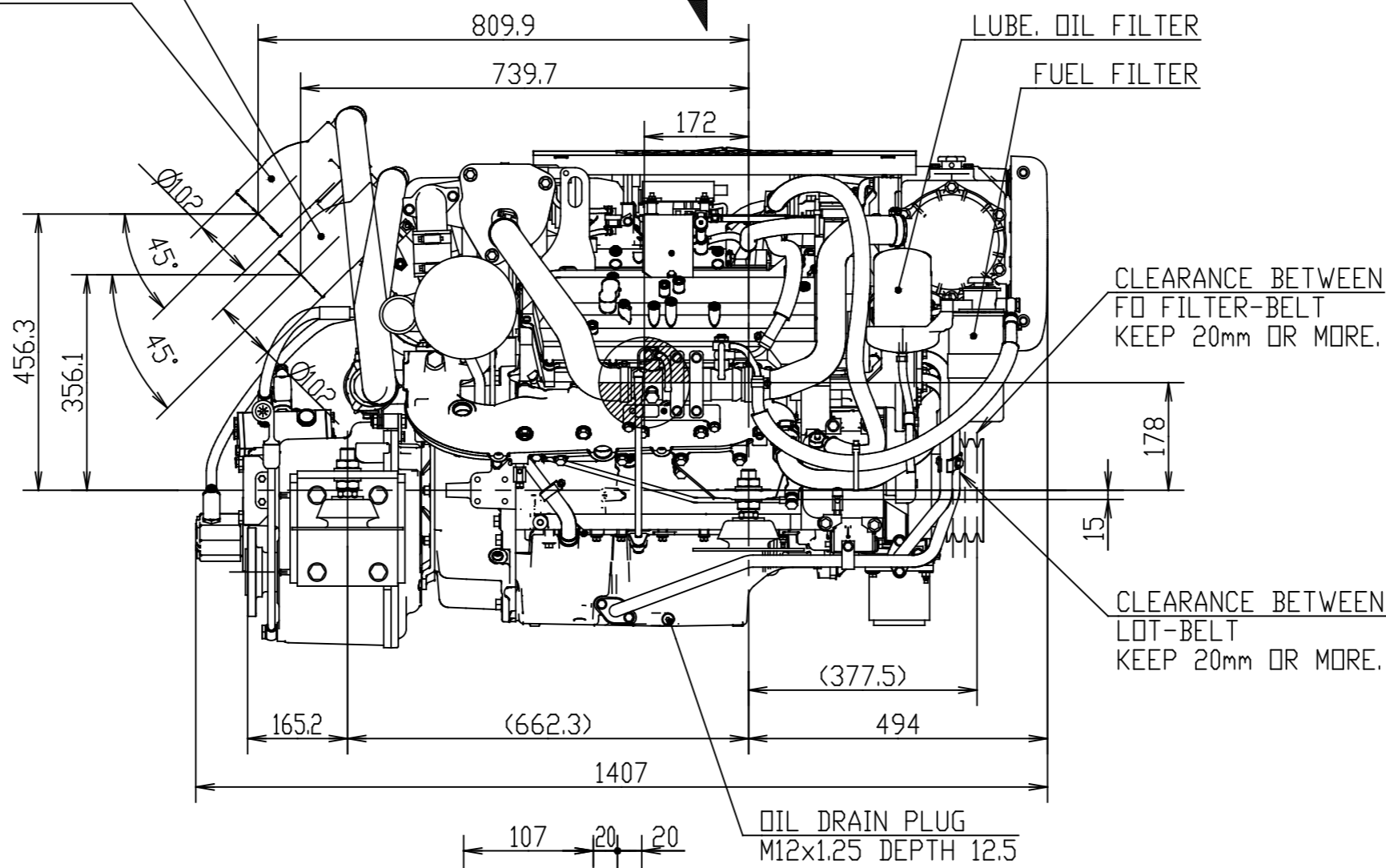
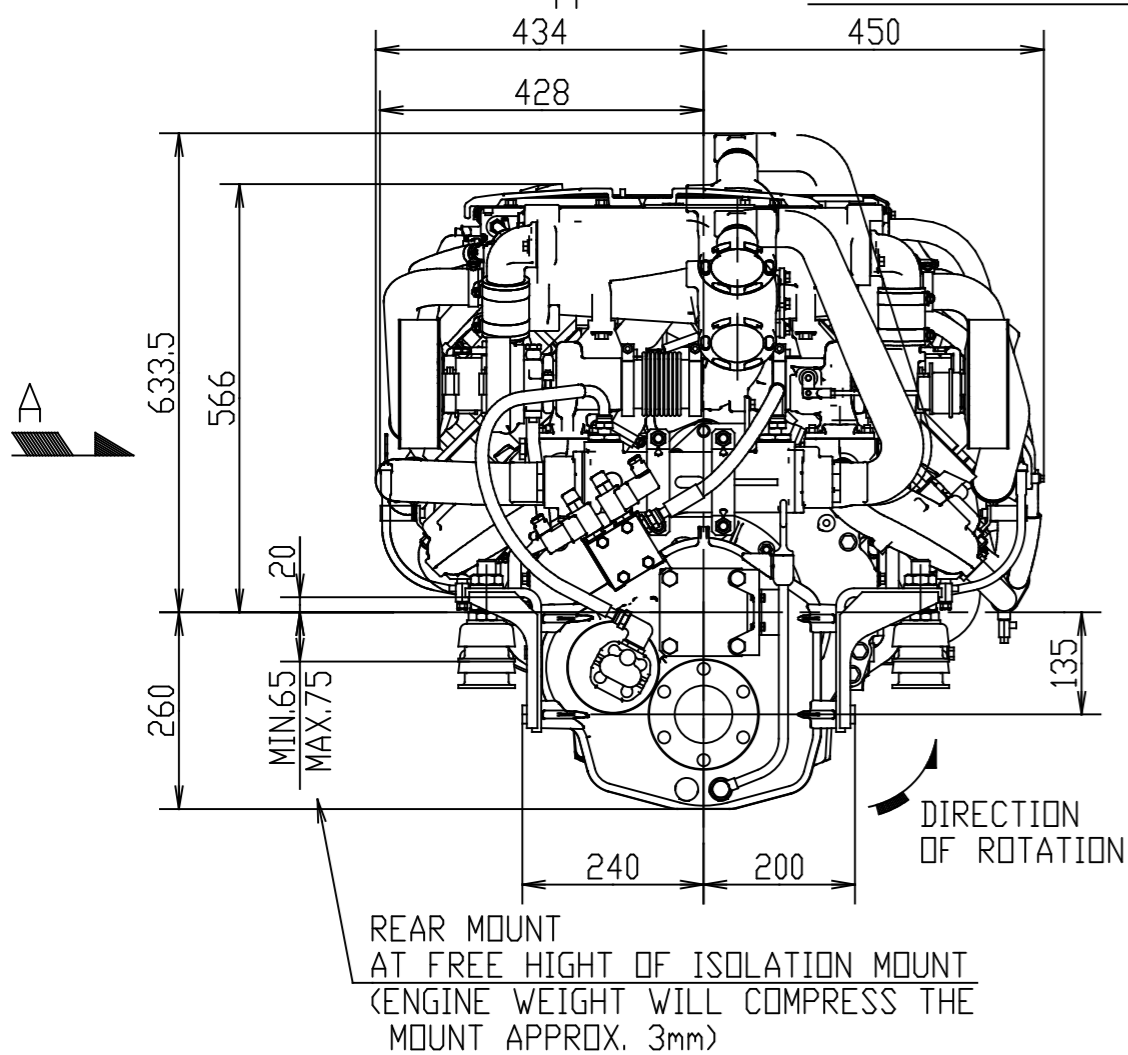
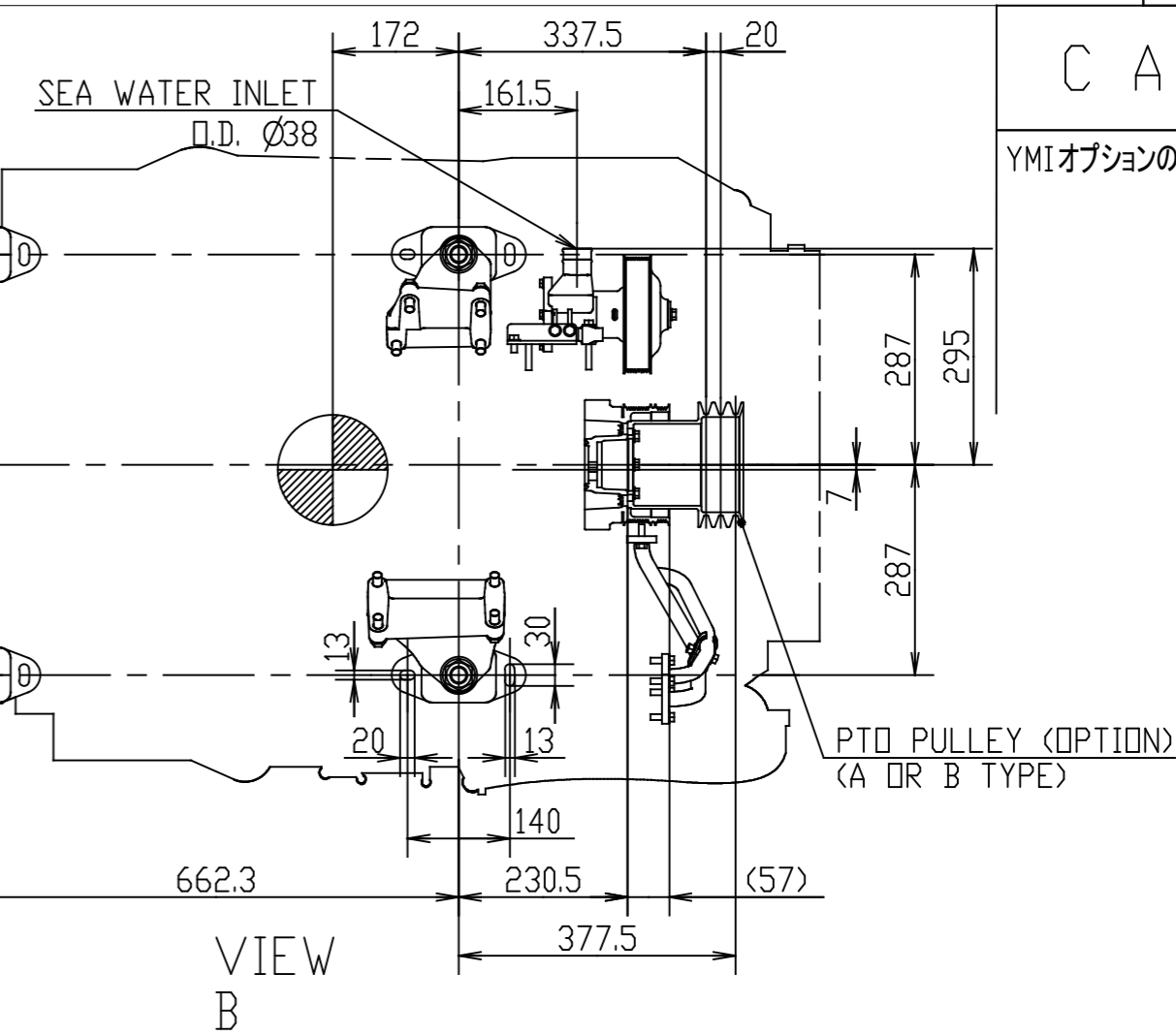
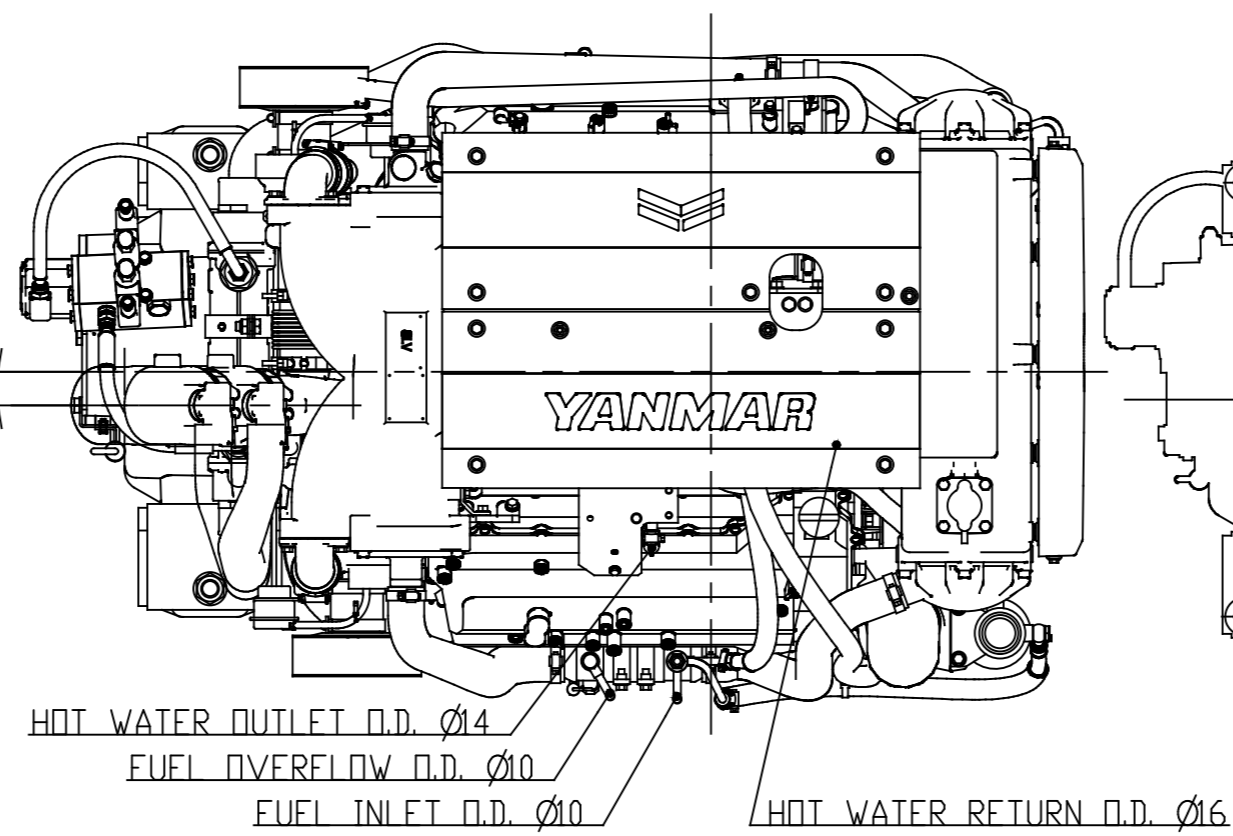
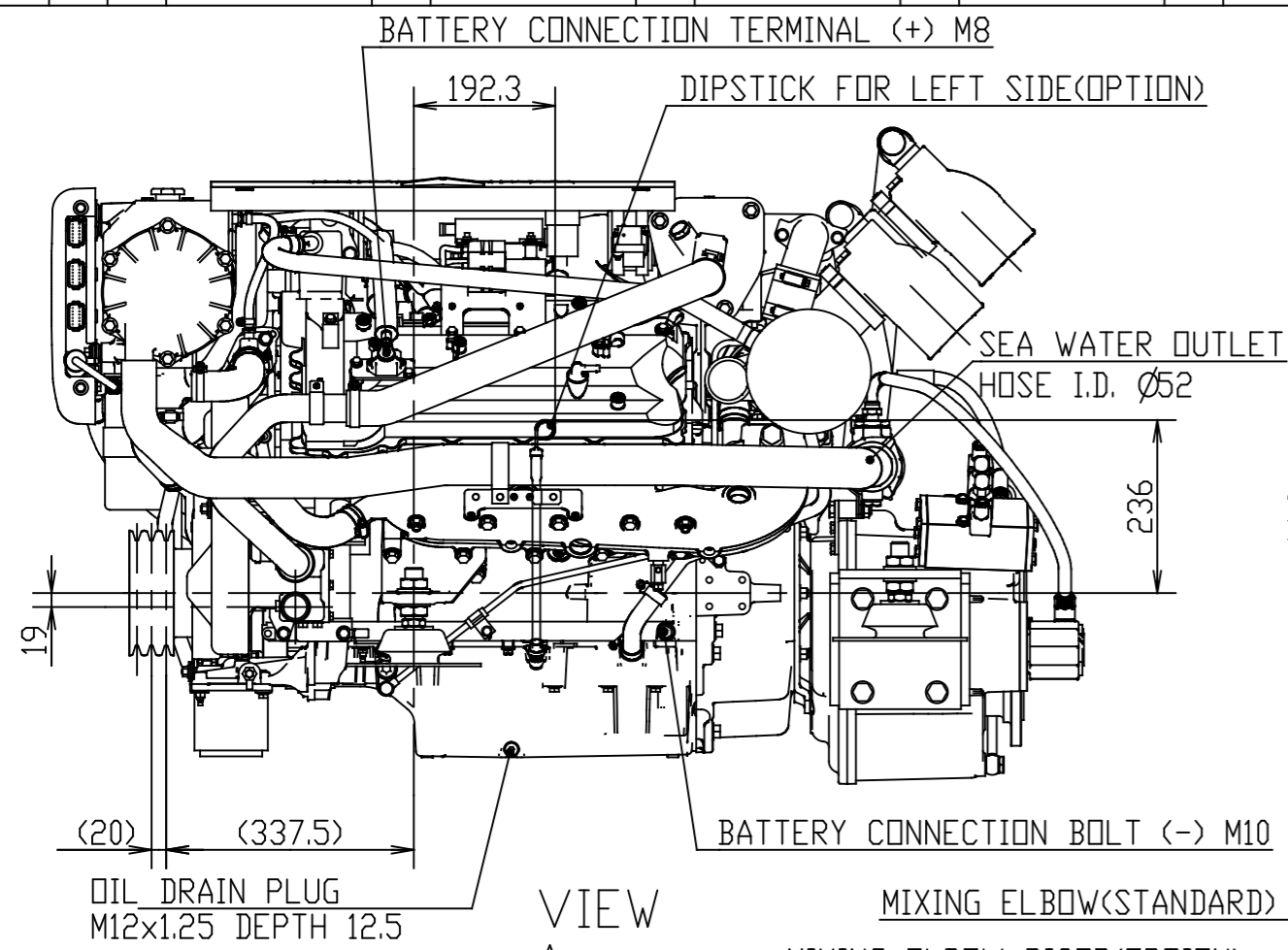


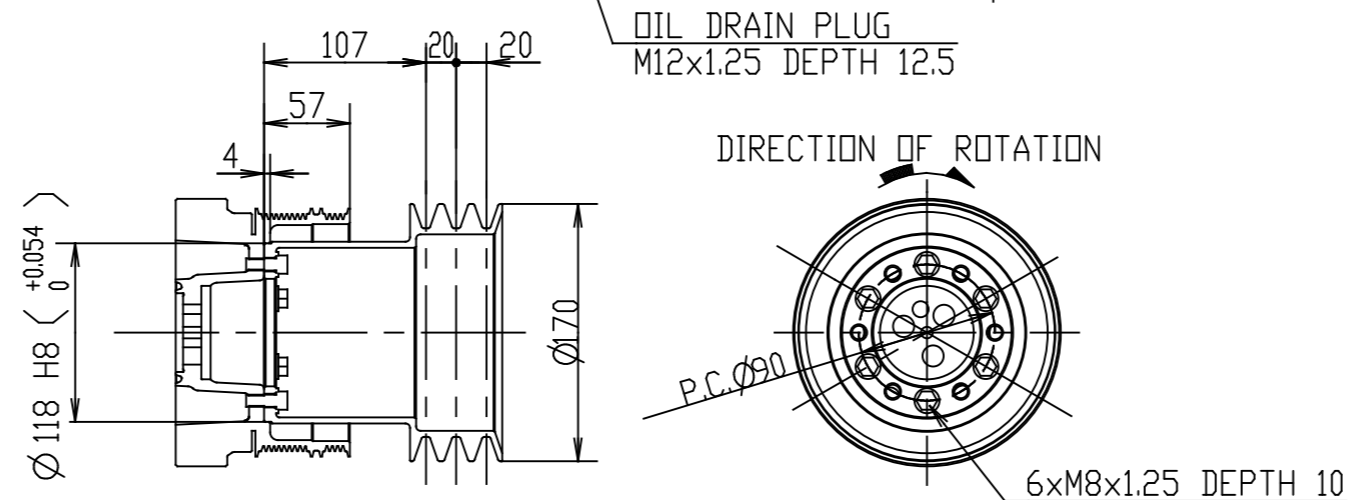
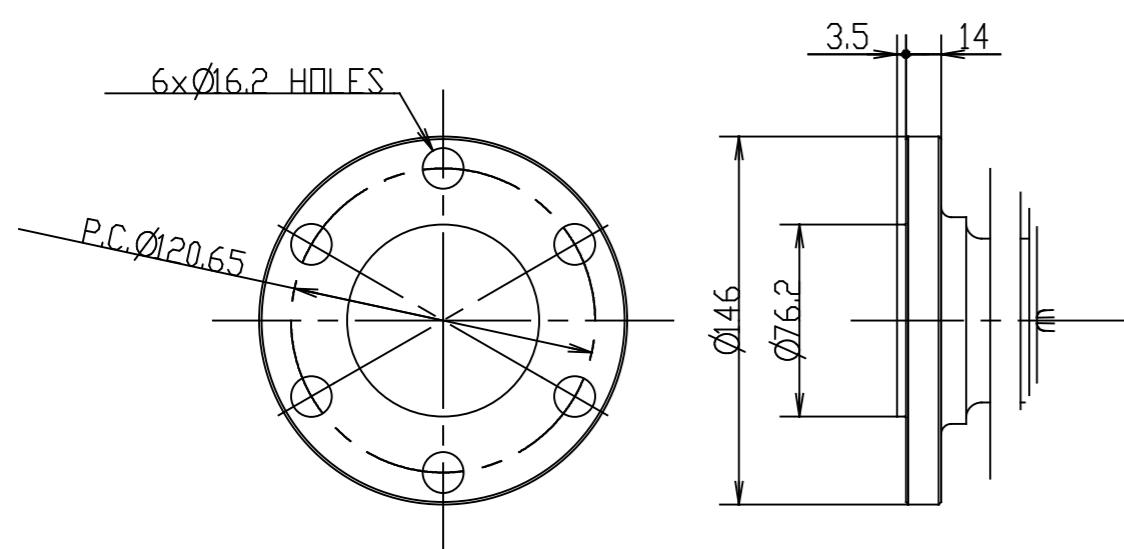
CAREER

YMIオプションのZF220用として、図面作製する。
(YDSBD-20011)



● SHOWS THE CENTER OF GRAVITY.

YMI?????
FOR OPTION AT YMI



SPECIFICATIONS				
MODEL	8LV320(C)	8LV350(C)	8LV370	
FUEL STOP POWER(ISO 8665) (FLYWHEEL OUTPUT)	kW (PS)	235(320)	257(350)	272(370)
	min ⁻¹	3800	3800	3800
DRY WEIGHT	kg	520		
DIRECTION OF CRANK SHAFT ROTATION	COUNTER-CLOCKWISE AT FLYWHEEL SIDE			

GEAR MODEL	REDUCTION				DIRECTION OF ROTATION (AT OUTPUT COUPLING)
ZF220	1.0	1.237	1.4	1.5	BOTH

SEC.MANAGER	MODEL	8LV 320 (C)	8LV 350 (C)	8LV 370	SCALE	1:10 (1:5)(1:3)
CHECKED	SPECIALIST	QTY	-	-	MATERIAL	
DESIGNED	DRAWN	DATE:Y.M.D	NAME			
馬場	堀	2020.8.25	8LV X ZF220 OUTLINE			
YANMAR		CODE	B2-19798-0070		DRAW SIZE	A2
YANMAR POWER TECHNOLOGY CO., LTD.						

MANAGER

3D-CAD	NOTICE
GEOMETRICAL TOLERANCE	
KIND OF TOLERANCE	
SYMBOL	
SYMMETRY TOLERANCE	
PERFECT FORM TOLERANCE	
FLATNESS TOLERANCE	
CIRCULARITY TOLERANCE	
PARALLELISM TOLERANCE	
PERPENDICULARITY TOLERANCE	
ANGULARITY TOLERANCE	
POSITIONAL TOLERANCE	
SYMMETRY TOLERANCE	
CHAMFER TOLERANCE	
RUN-OUT TOLERANCE	
TOTAL TOLERANCE	