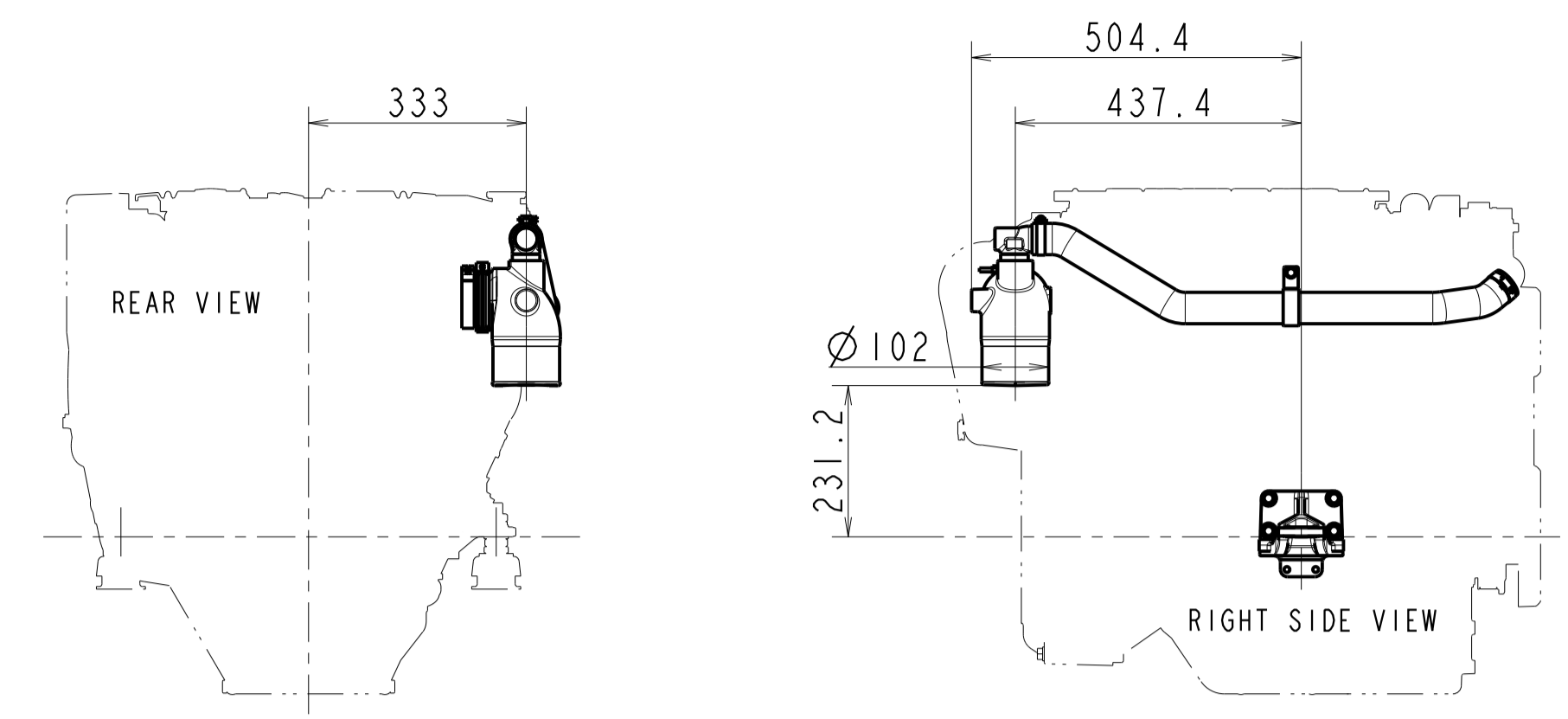
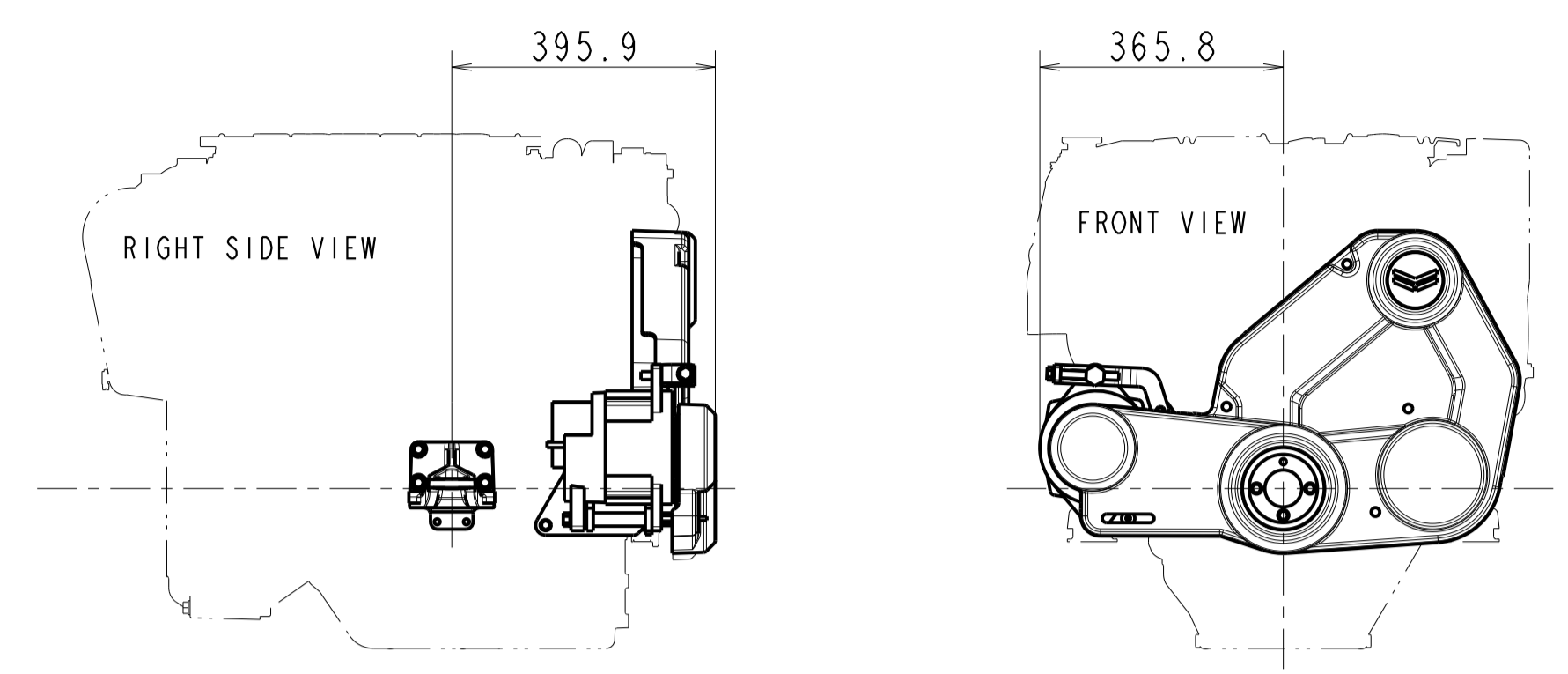


C A R E E R

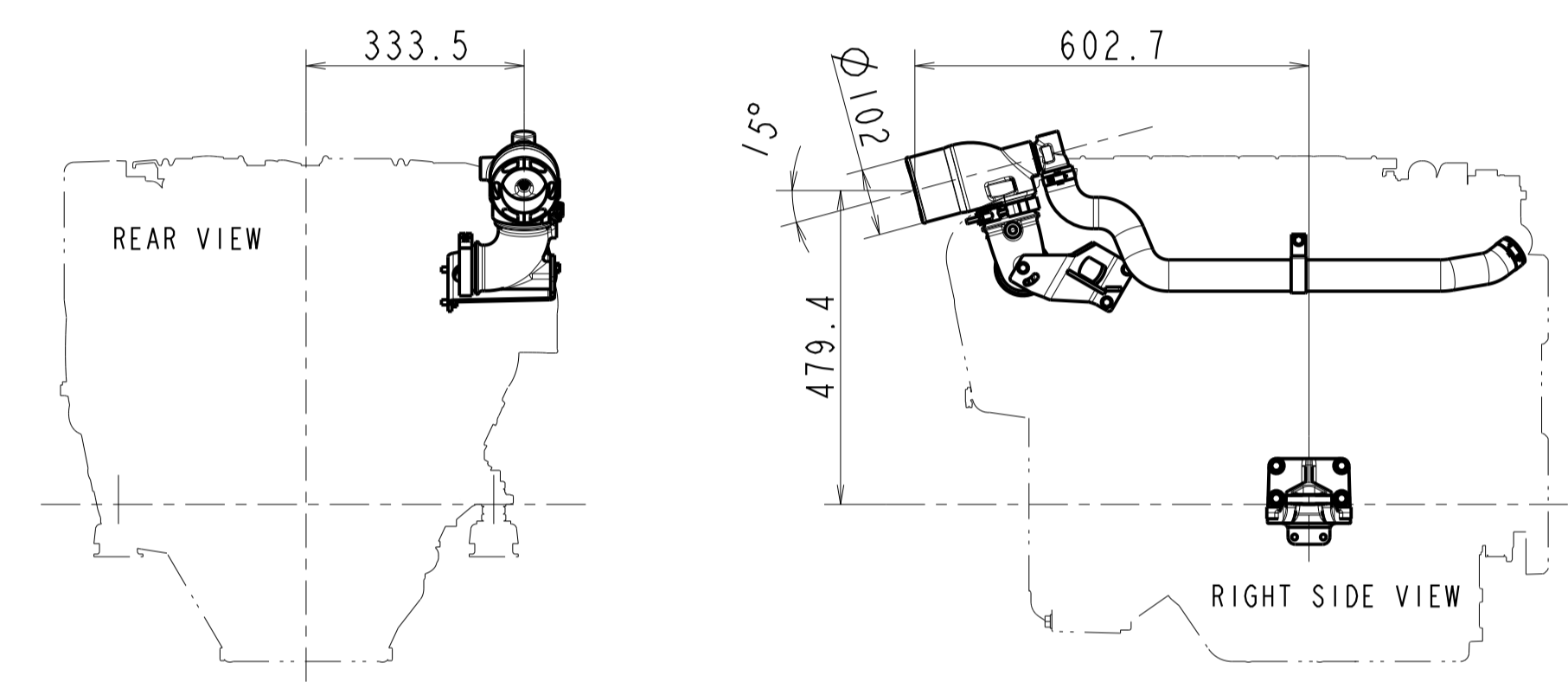
RELEASE DRAWING FOR MASS PRODUCTION (YDSBD-21015) REVI(2022.8.xx) (YDSBD-22005)(ISHII)



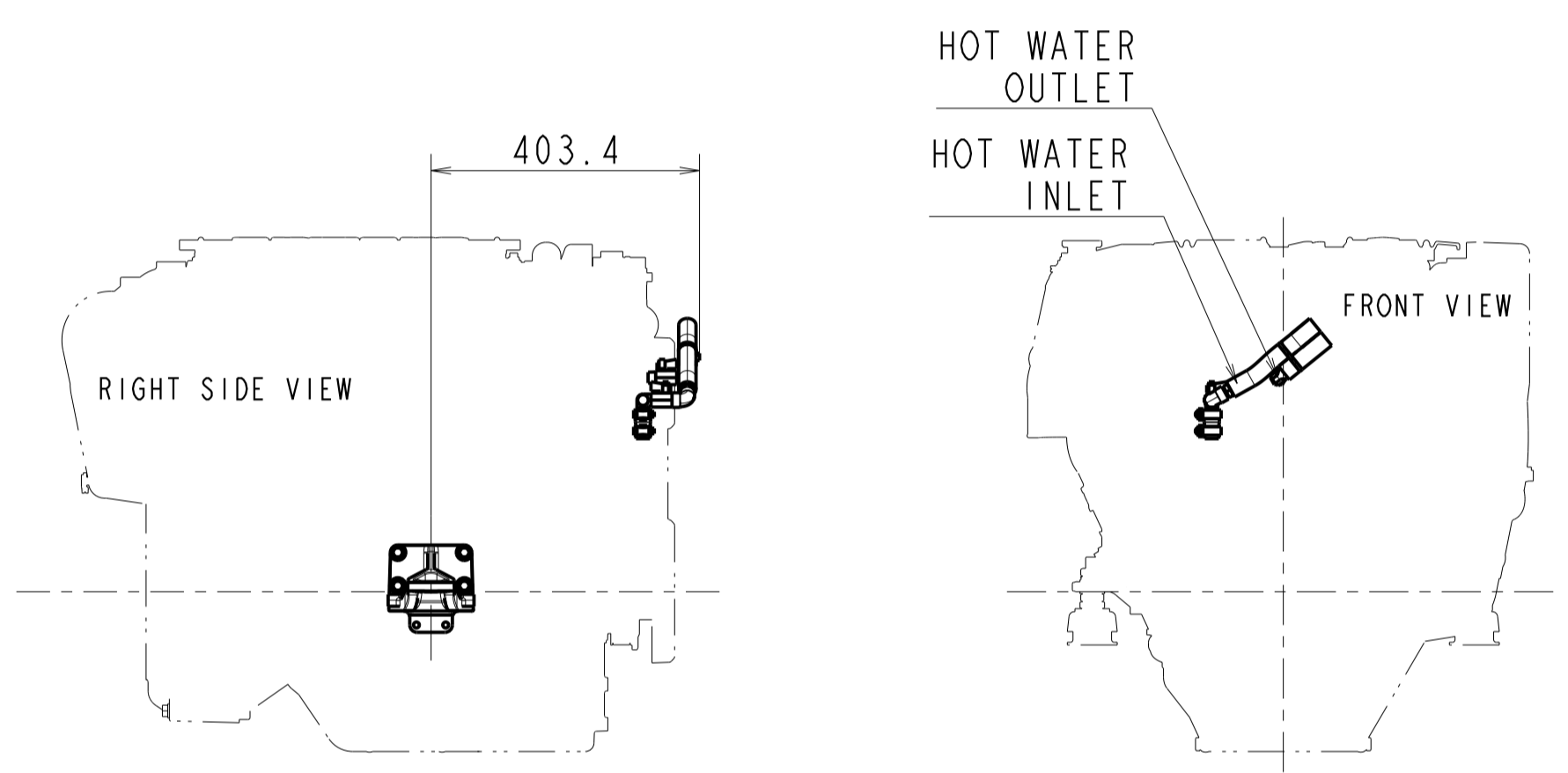
MIXING ELBOW (L-TYPE)
D20672-13200
D20672-49430



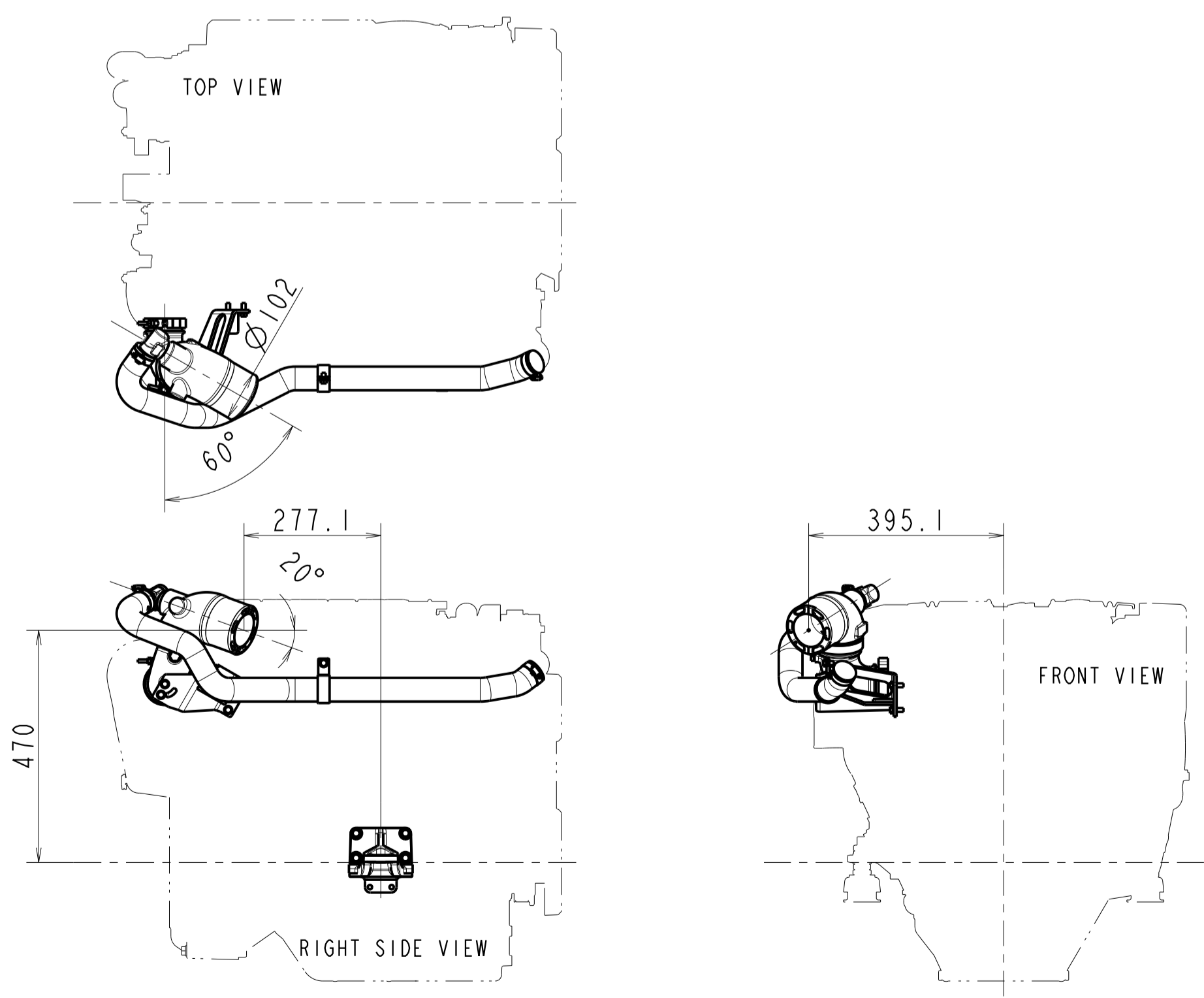
2ND ALTERNATOR (YMI OPTION)
D20672-77230
D20672-77240
D20672-77280



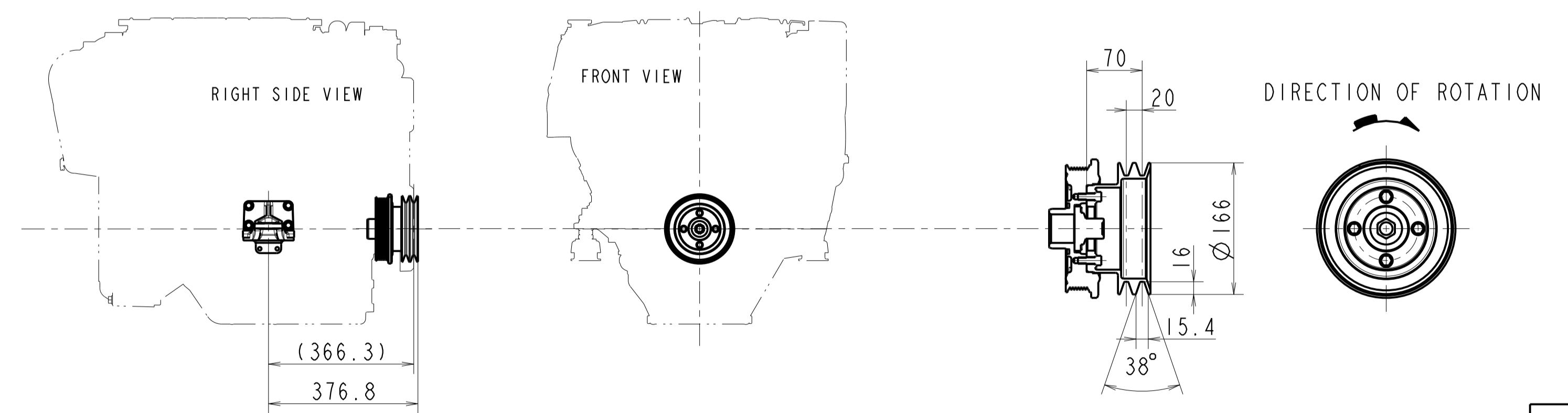
MIXING ELBOW (RISER TYPE)
D20672-13271
D20672-49440



HOT WATER KIT (YMI OPTION)
D20672-49620



MIXING ELBOW (V-DRIVE TYPE)
D20672-13281
D20672-49452



PTO V-PULLEY (YMI OPTION)
D20672-21910

△DETAIL OF PTO PULLEY (SCALE 1:5)

NOTE REFER TO "B2-20672-0010" FOR DETAIL OF ENGINE.

3D-CAD

NOTICE
GEOMETRICAL TOLERANCE
KIND OF TOLERANCE
SYMBOL
STRAIGHTNESS TOLERANCE
CIRCULARITY TOLERANCE
PROFILE OF LINE TOLERANCE
FLATNESS TOLERANCE
CYLINDRICITY TOLERANCE
PROFILE TOLERANCE OF SURFACE
PARALLELISM TOLERANCE
PERPENDICULARITY TOLERANCE
ANGULARITY TOLERANCE
POSITIONAL TOLERANCE
CONCENTRICITY TOLERANCE
SYMMETRY TOLERANCE
CIRCULAR RUN-OUT TOLERANCE
TOTAL RUN-OUT TOLERANCE

MANAGER

SEC. MANAGER	MODEL	4LV SERIES	SCALE	1:10
CHECKED	SPECIALIST	QTY	MATERIAL	
DESIGNED	DRAWN	DATE: Y.M.D	4LV APPLICATION	
石井	堀	2021.11.22	4LV APPLICATION	
<p>YANMAR YANMAR POWER TECHNOLOGY CO., LTD.</p>			REVI	
			CODE	B2-20672-0110
			DRAW SIZE	A1