



6LY3-ETP Series

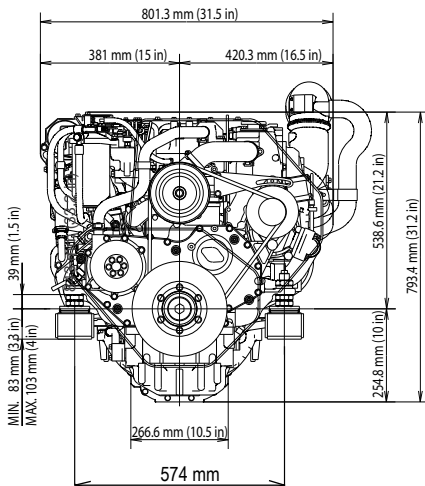
Configuration	24 valve, 4-stroke, vertical, water-cooled diesel engine	
Maximum output at crankshaft	*353 kW@3300 rpm	[480 mhp@3300 rpm]
Displacement	5.813 L	[354 cu in]
Bore x stroke	106 mm x 110 mm	[4.17 in x 4.33 in]
Cylinders	In-line	
Combustion system	Direct injection	
Aspiration	Turbocharged with intercooler	
Starting system	Electric starting 12V - 3 kW	
Alternator	12V - 80A	
Cooling system	Fresh water cooling by centrifugal fresh water pump and rubber impeller seawater pump	
Lubrication system	Enclosed, forced lubricating system	
Direction of rotation [crankshaft]	Counterclockwise viewed from stern	
Dry weight without gear	640 kg	[1411 lbs]
Emission compliance	EU: RCD 1	EMC
	IMO: MARPOL 73/78 Annex VI	
Engine mounting	Rubber type flexible mounts	

NOTE:

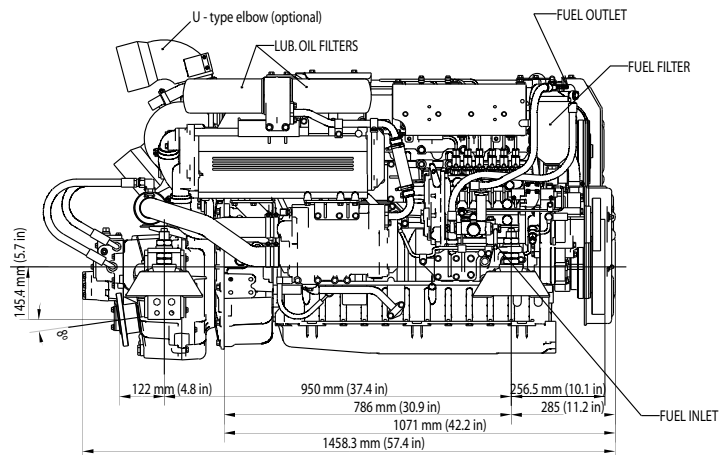
Fuel condition: Density at 15°C = 0.86 g/cm³; 1 kW = 1.3596 mhp = 1.3410 HP
 * Fuel temperature 40°C at the inlet of the fuel injection pump [ISO 8665: 1994]
 Technical data is according to ISO 8665: 1994

DIMENSIONS

Front view



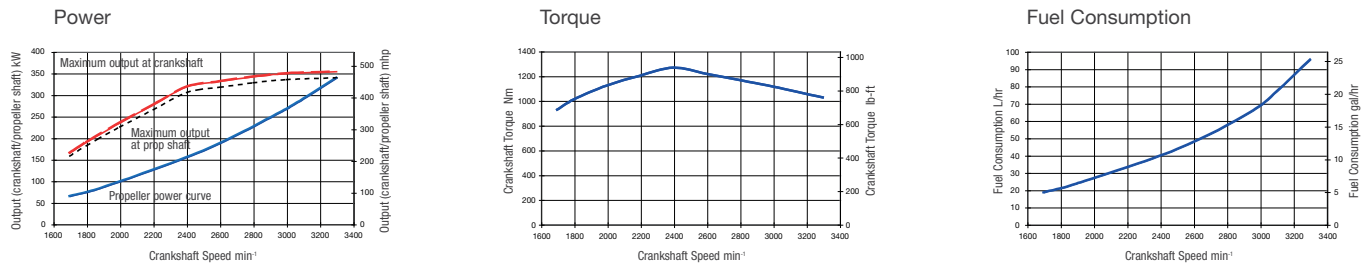
Right side view



6LY3-ETP with Yanmar KMH61A marine gear



PERFORMANCE CURVES



MARINE GEARS / DRIVE*

Model	KMH61A [down angle 8°]			KMH61V			
Type	Hydraulically actuated multi-disc clutch			Hydraulically actuated multi-disc clutch			
Dry weight**	78 kg [171 lbs]			107,5 kg [237 lbs]			
Reduction Ratio [fwd/rev]	1.55/1.55	2.04/2.04	2.43/2.43	1.24/1.24	1.49/1.49	1.98/1.98	2.43/2.43
Propeller speed [fwd/rev]	2129/2129	1618/1618	1358/1358	2661/2661	2215/2215	1666/1666	1358/1358
Direction of rotation (viewed from stern)	Clockwise or Counterclockwise			Clockwise or Counterclockwise			
Dry weight – engine & gear**	718 kg [1538 lbs]			747,5 kg [1648 lbs]			

* Other marine gearboxes and configurations available upon request. Contact your local supplier for more information.

** Dry weight includes cooler, brackets and damper disk.

INSTRUMENT PANELS



Multi function LCD display:
 - engine information
 - maintenance information
 - diagnosis messages

ACCESSORIES

Standard engine package

- Alternator 12V - 80A
- Exhaust mixing elbow [L-type]
- Air heater

Optional engine package

- Fuel/water separator
- High-riser mixing elbow [instead of L-type]
- Lub oil evacuation pump
- Air vent for coolant tank
- Flexible mounts [Barry or Bridgestone]
- SOLAS kit

ELECTRONIC CONTROL SYSTEM

Standard electronic control system

- CANBUS-NMEA 2000 electronic control system
- Ignition panel with rocker switches
- Multi-function LCD display
- Electronic control head

Optional electronic control system

- Second station kit for flybridge
- Ignition panel with keyswitch
- Extension wire harnesses
- Various control heads
- Trolling mode kit

NOTE: All data subject to change without notice. Text and illustrations are not binding.