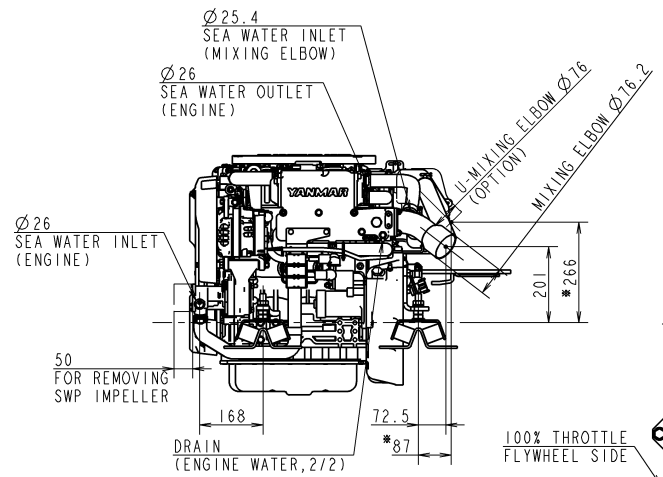
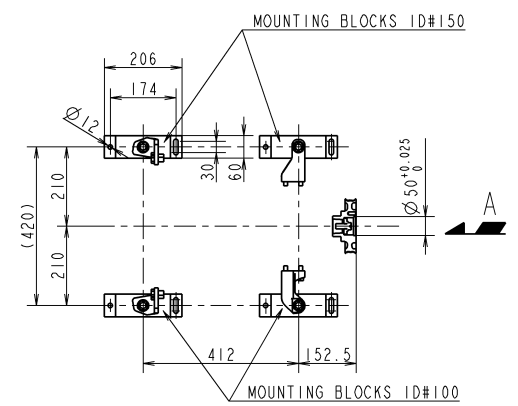
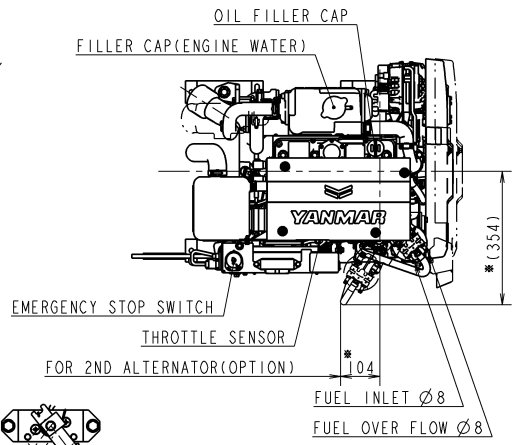


CAREER

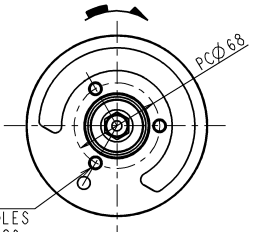
REV.1(2018.3.20) CHANGE TOP COVER AND BELT COVER (YDSBD-18002)



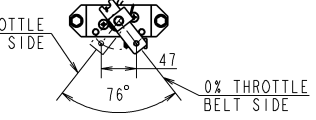
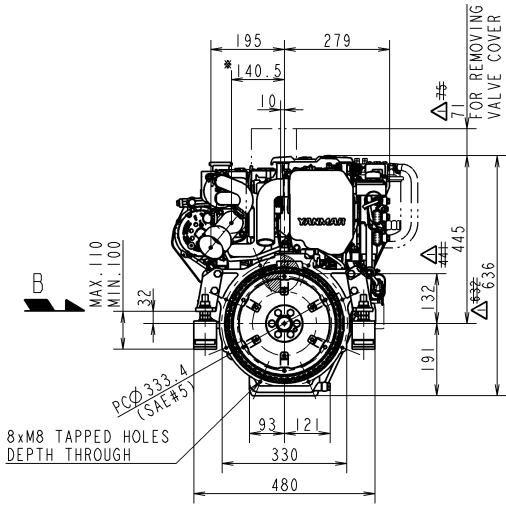
ARROW B



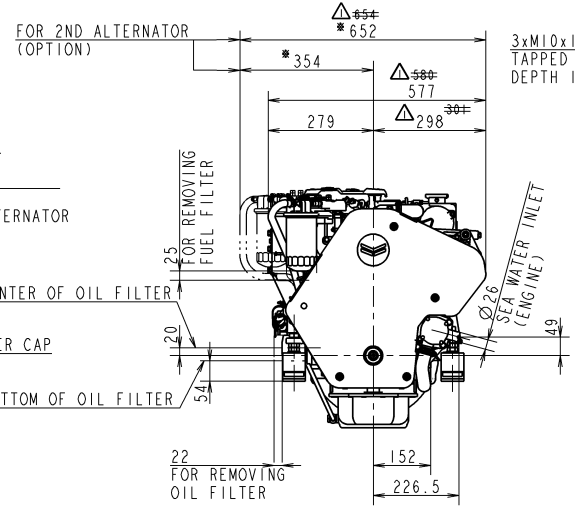
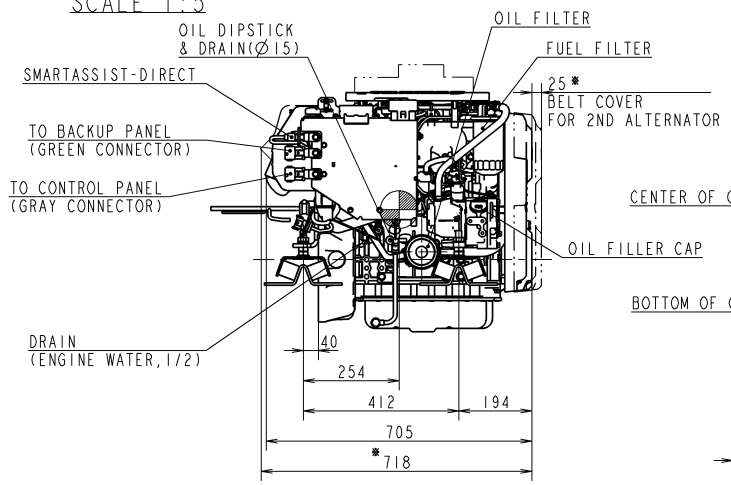
DIRECTION OF ROTATION



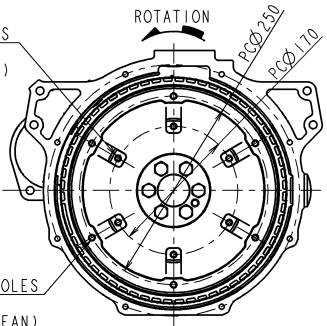
DETAIL OF PULLEY SCALE 1:3 ARROW A



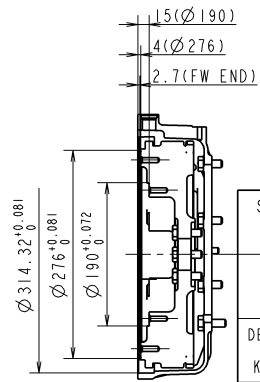
THROTTLE SENSOR SCALE 1:5



6xM8 TAPPED HOLES DEPTH 15/21 (FOR DAMPER DISK)



DETAIL OF FLYWHEEL SCALE 1:5



- NOTE
1. MOUNTING BLOCKS ARE COMPRESSED ABOUT 4mm BY ENGINE WEIGHT.
 2. DIMENSIONS OF MOUNTING BLOCK IN THIS DRAWING ARE WITHOUT ANY DEFORMATION.
 3. THE FIGURES MARKED WITH * SHOW THE DIMENSIONS WITH U-MIXING ELBOW OR OPTIONAL PARTS.
 4. \bullet SHOWS THE CENTER OF GRAVITY.

| SPECIFICATIONS | | |
|----------------------------------|---|-------------------|
| Model | | 3JH40 |
| Continuous Power (ISO 8665) | kW/min ⁻¹ | 26.8 / 2907 |
| Fuel Stop Power | Propeller shaft (ISO 8665) kW/min ⁻¹ | --- |
| | Crankshaft (ISO 8665) kW/min ⁻¹ | 29.4 / 3000 |
| Reduction ratio | | --- |
| Dry mass | kg | Approx. 192 |
| Direction of Crankshaft rotation | | Counter-clockwise |

量産用 FOR MASS PRODUCTION

| | | | | | |
|-----------------------------------|------------|-------------|------------------|------------|------|
| SEC. MANAGER | | MODEL | 3JH40 | SCALE | 1:10 |
| CHECKED | SPECIALIST | QTY | - | MATERIAL | |
| DESIGNED | DRAWN | DATE: Y.M.D | OUTLINE, 3JH40-M | | |
| K. SHIGA | F. KISHIDA | 2017.4.10 | | | |
| YANMAR | | CODE | B2-29272-0020 | DRAWN SIZE | A2 |
| YANMAR CO., LTD. DEVELOPMENT DIV. | | | | | |