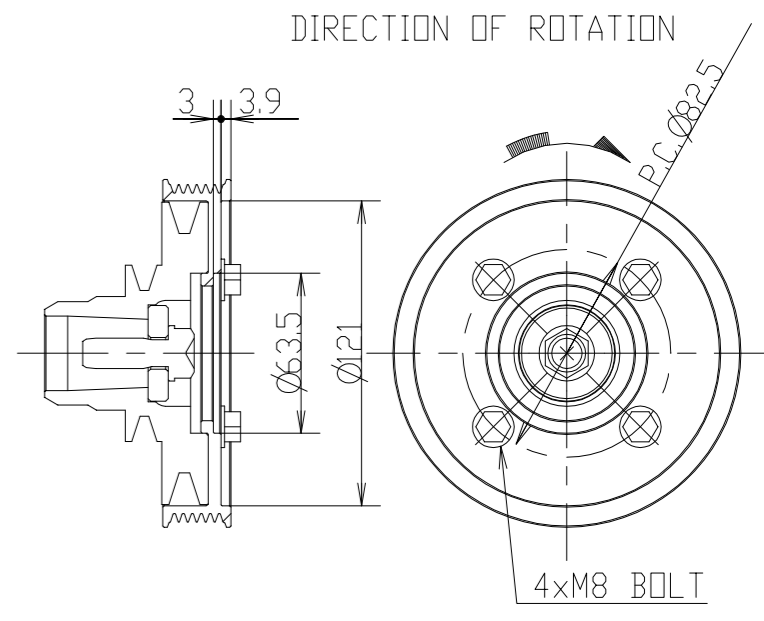
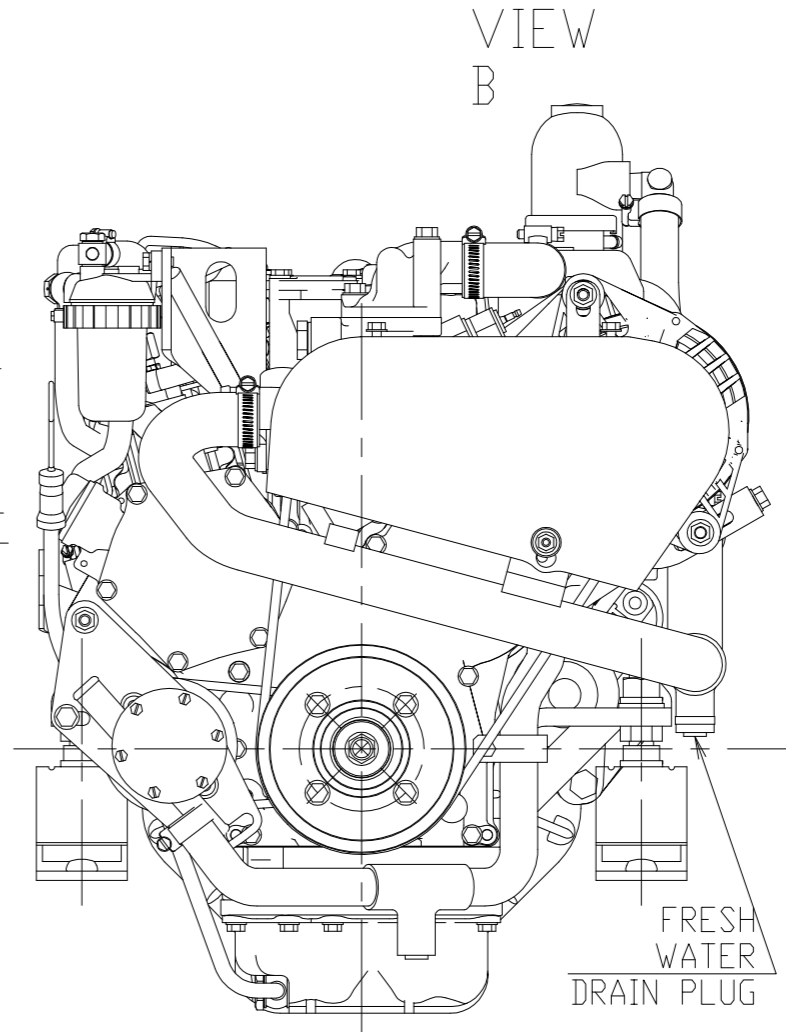
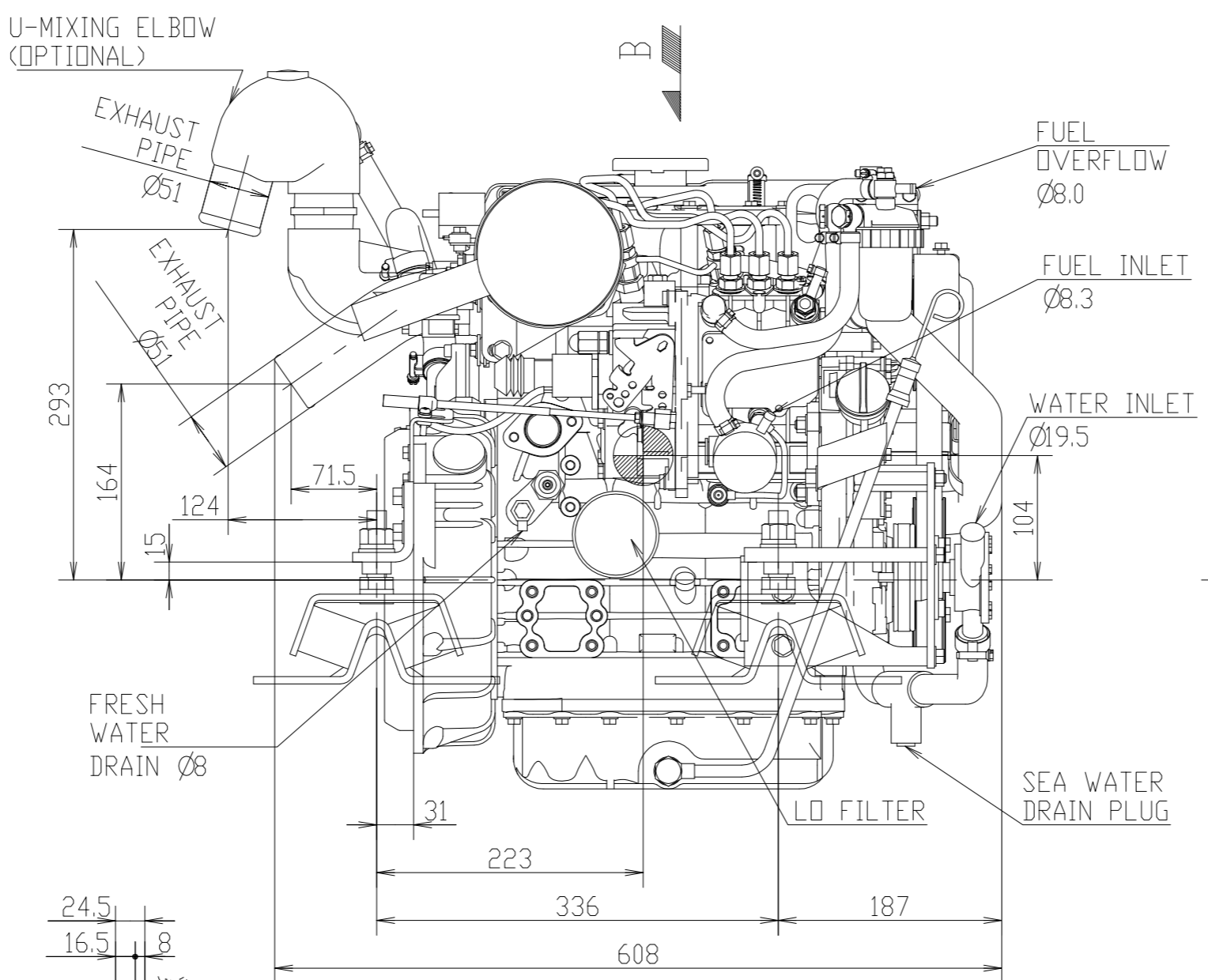
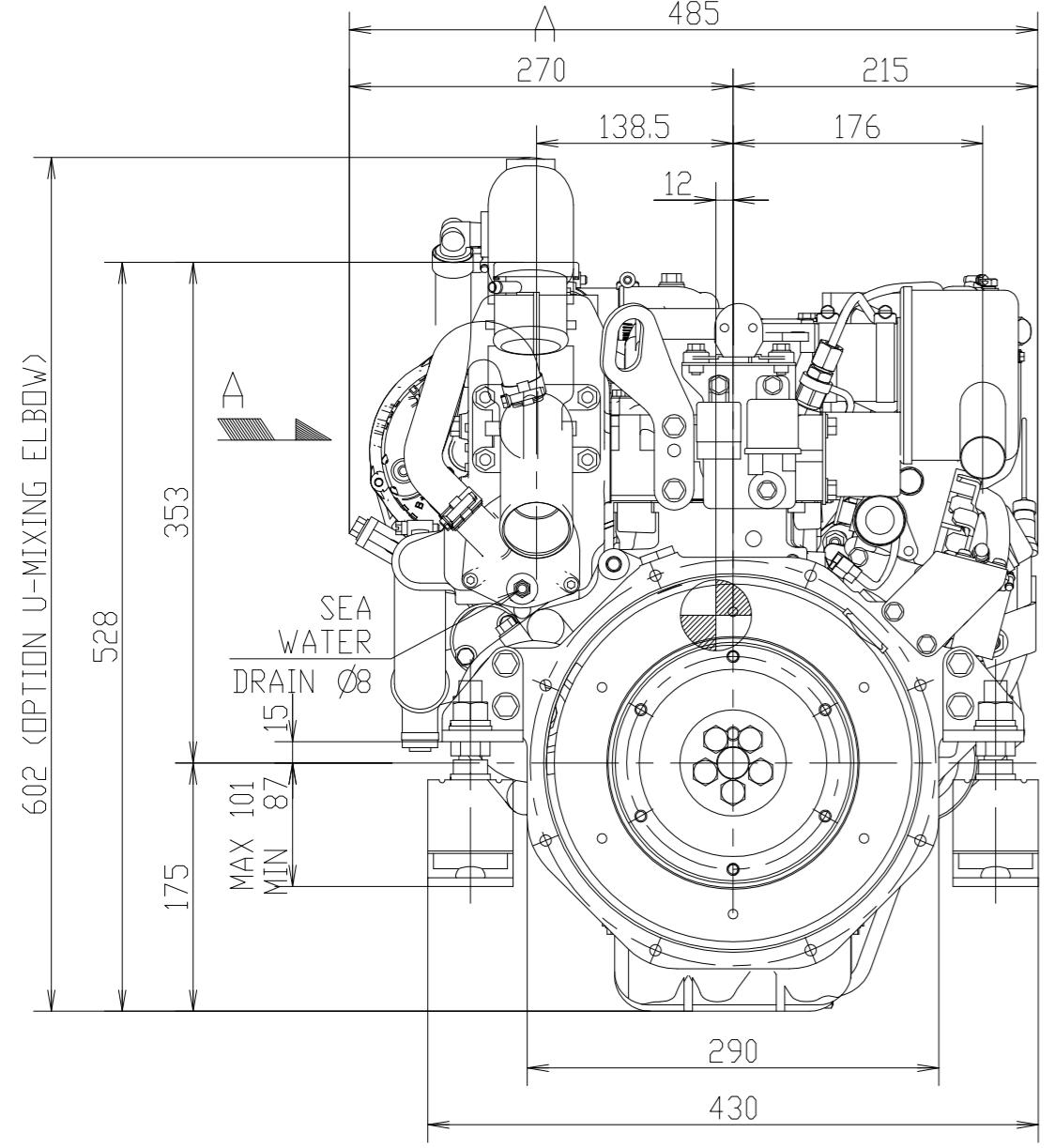
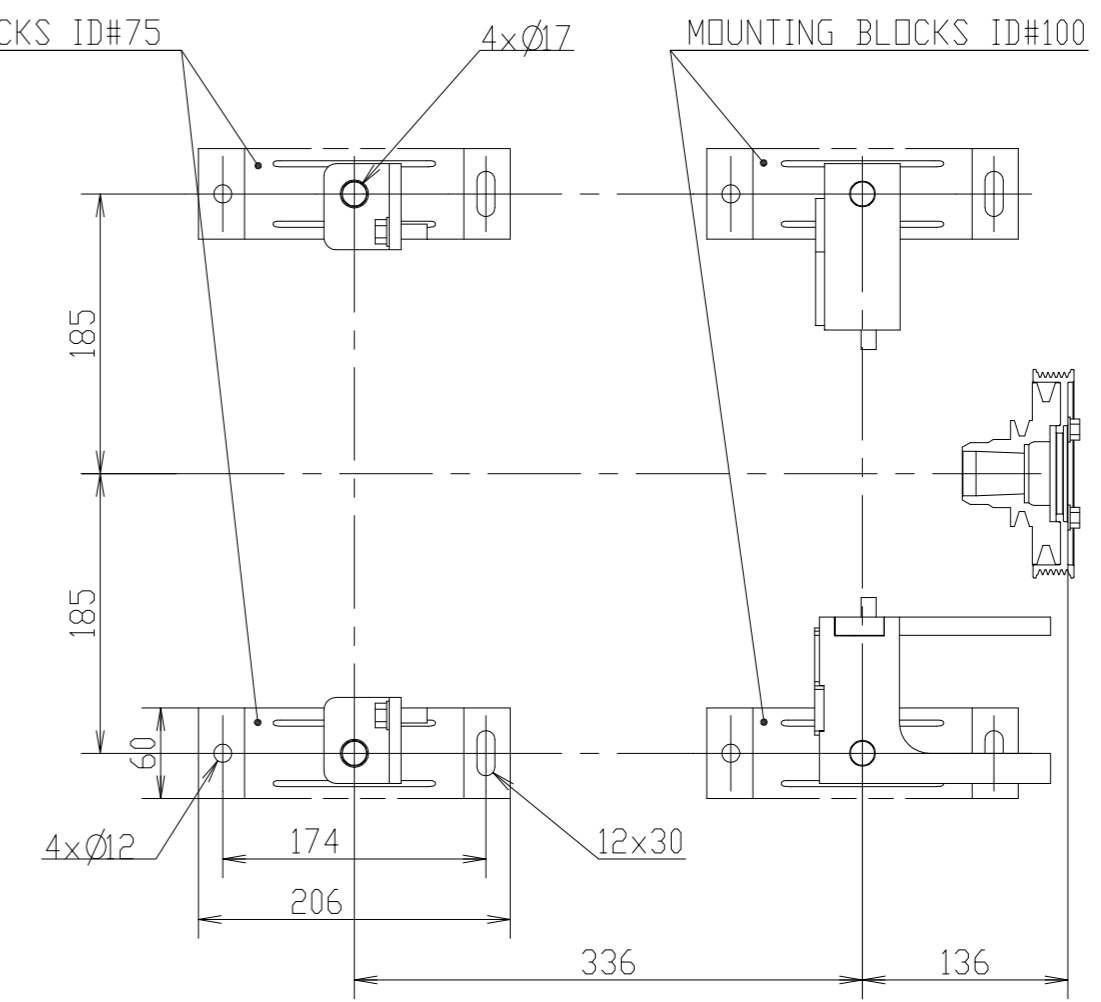
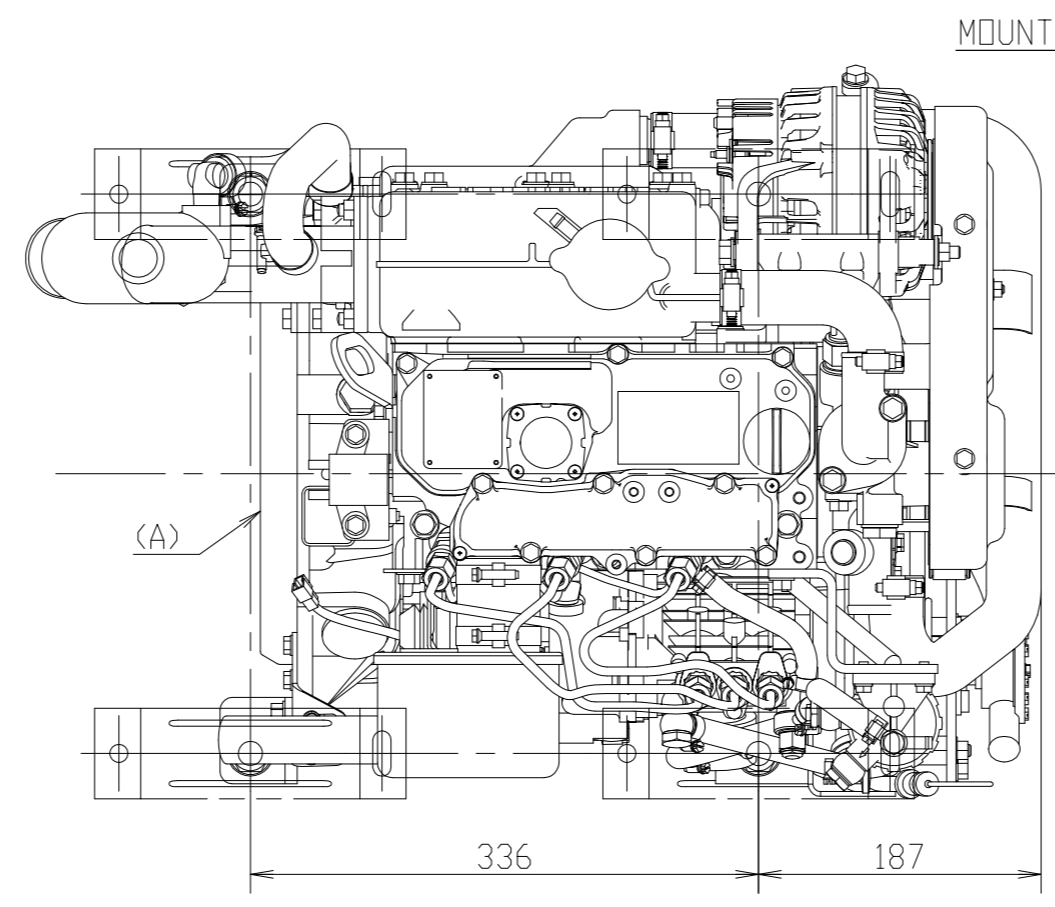
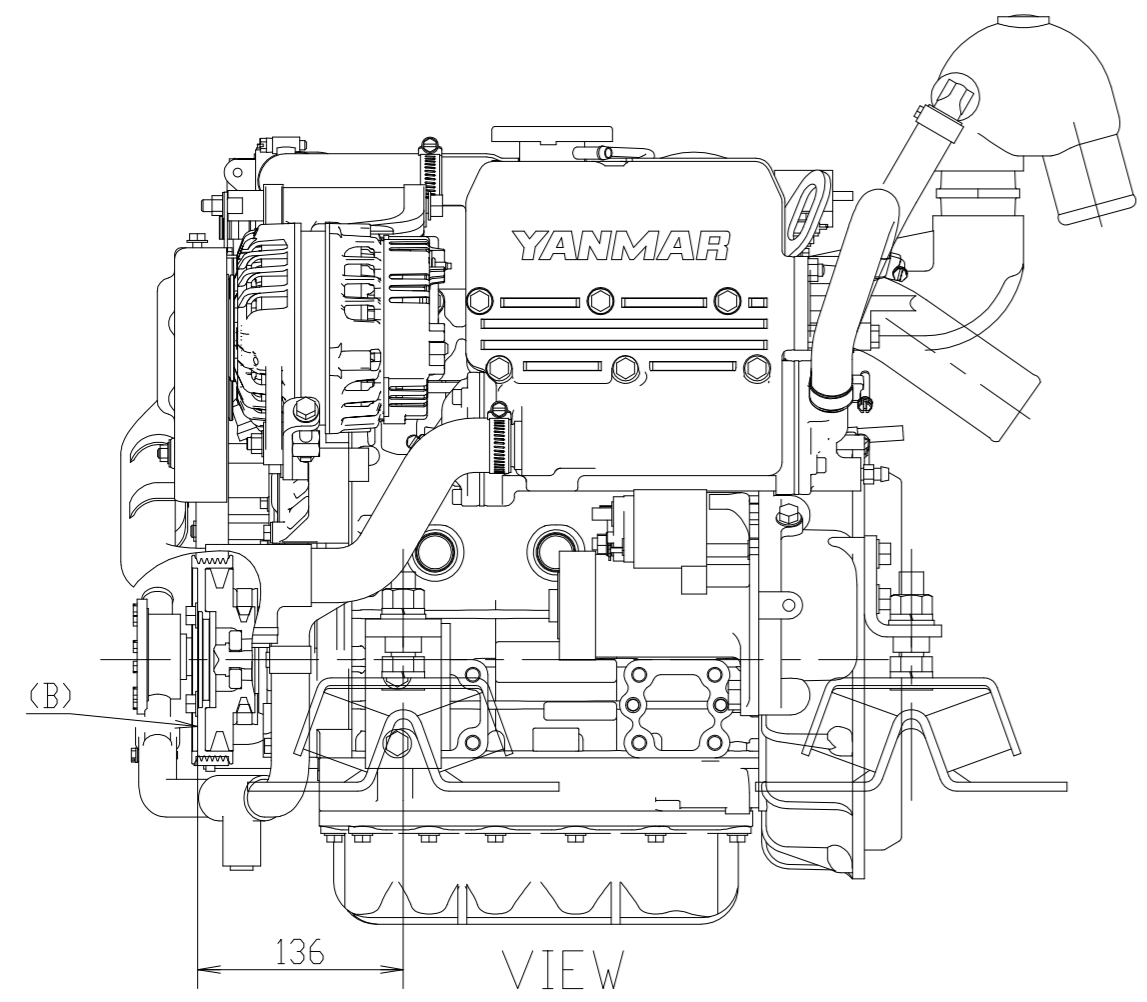
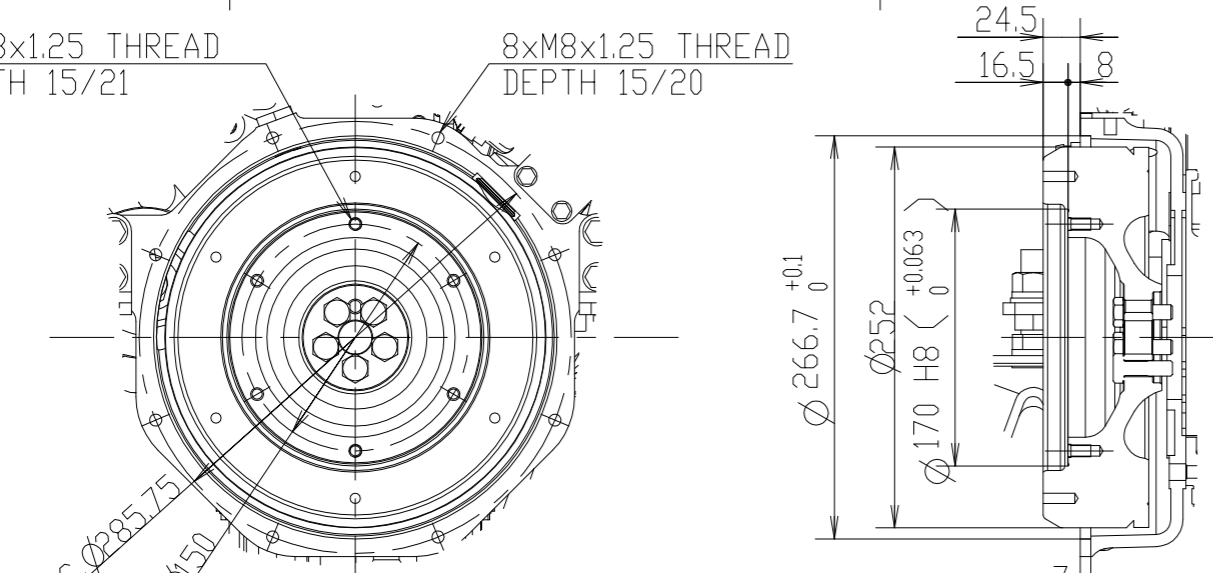


CAREER



DETAIL OF PULLEY (B) (SCALE 1:3)

6xM8x1.25 THREAD DEPTH 15/21 8xM8x1.25 THREAD DEPTH 15/20



DETAIL OF FLYWHEEL (A) (SCALE 1:5)

NOTE
 1. DWG. SHOWS MOUNTING BLOCKS AT ORIGINAL HEIGHT.
 2. ENGINE WEIGHT WILL COMPRESS BLOCKS BY 4.5mm (APPROX.).
 3. MOUNTING BLOCKS ARE EQUIPPED FOR STANDARD ACCESSORY.
 4. ● SHOWS CENTER OF GRAVITY.

SPECIFICATIONS		
MODEL		3YM20
Continuous Power	(ISO8665) kW/min ⁻¹	13.9/3489
Fuel Stop Power	Crankshaft (ISO8665) kW/min ⁻¹	15.3/3600
Reduction Ratio		-
Engine Mass	kg	Approx.121
Direction Of Propeller Shaft Rotation		Clockwise

SEC.MANAGER	MODEL	3YM20	SCALE	1:5
CHECKED	SPECIALIST	QTY	MATERIAL	
DESIGNED	DRAWN	DATE:Y.M.D	3YM20 カイイネ	
K.Shiga	F.Kishida	2015.1.26	3YM20 OUTLINE	
			CODE	B2-28890-0030
YANMAR CO.,LTD. MARINE OPERATIONS DIV.			DRAW SIZE	A2

3D-CAD
 NOTICE
 GEOMETRICAL TOLERANCE
 KIND OF TOLERANCE
 STRAIGHTNESS TOLERANCE
 SURFACE FINISH TOLERANCE
 PROFILE OF LINE TOLERANCE
 FLATNESS TOLERANCE
 CIRCULARITY TOLERANCE
 PARALLELISM TOLERANCE
 PERPENDICULARITY TOLERANCE
 ANGULARITY TOLERANCE
 POSITIONAL TOLERANCE
 SYMMETRY TOLERANCE
 RUN-OUT TOLERANCE

With respect to the use of environmentally hazardous substances in this parts, the substances in use shall conform to YIS V-001J (環境負荷物質の制限) (Restrictions of use of Environmentally Hazardous Substances).

環境負荷物質の使用に際しては、この部品に使用されている物質がYIS V-001J (環境負荷物質の制限) (Restrictions of use of Environmentally Hazardous Substances) に適合していることを確認してください。

MANAGER