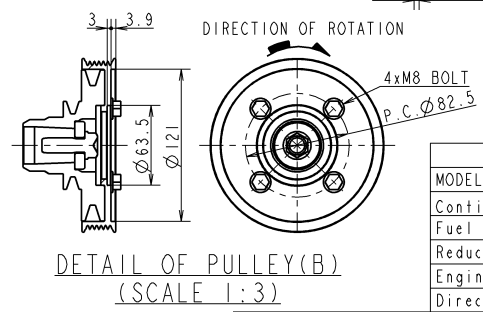
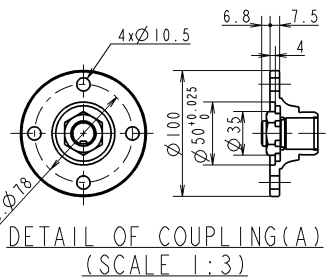
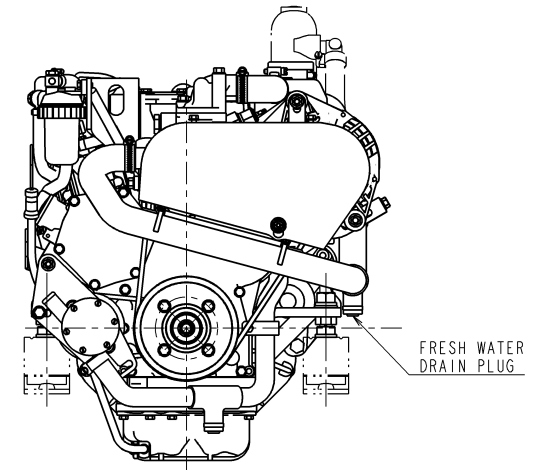
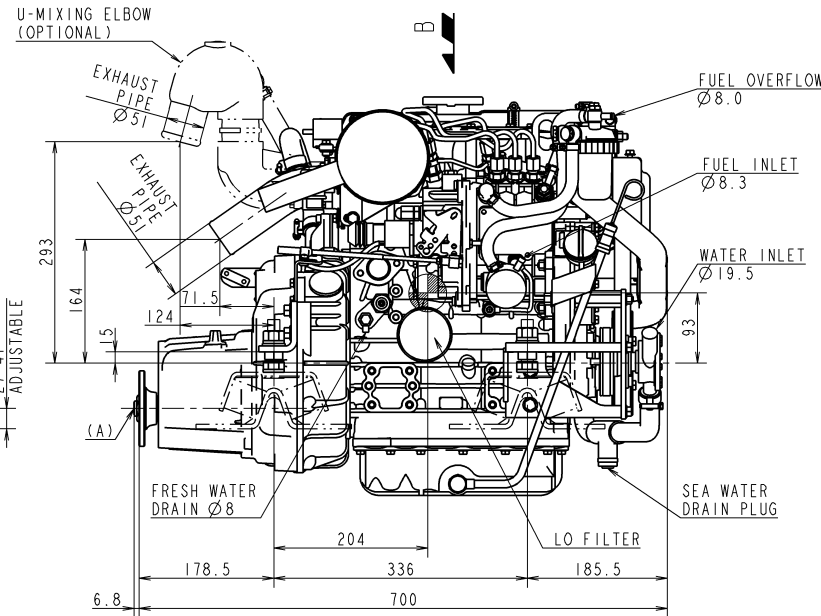
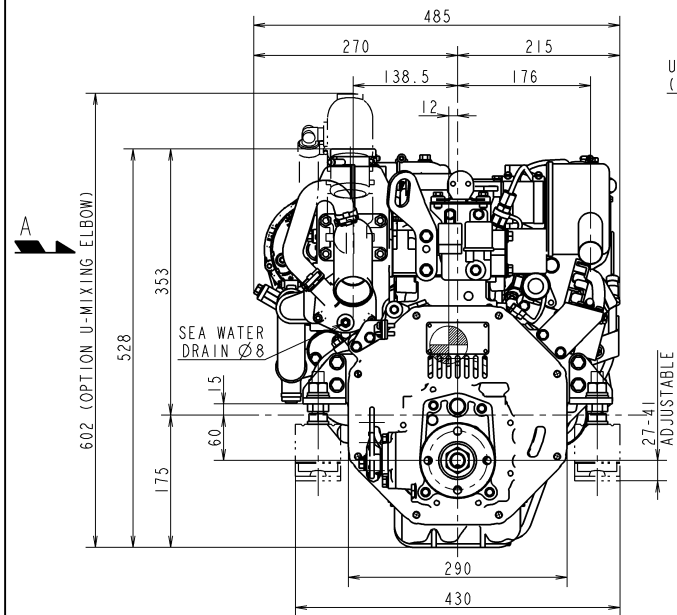
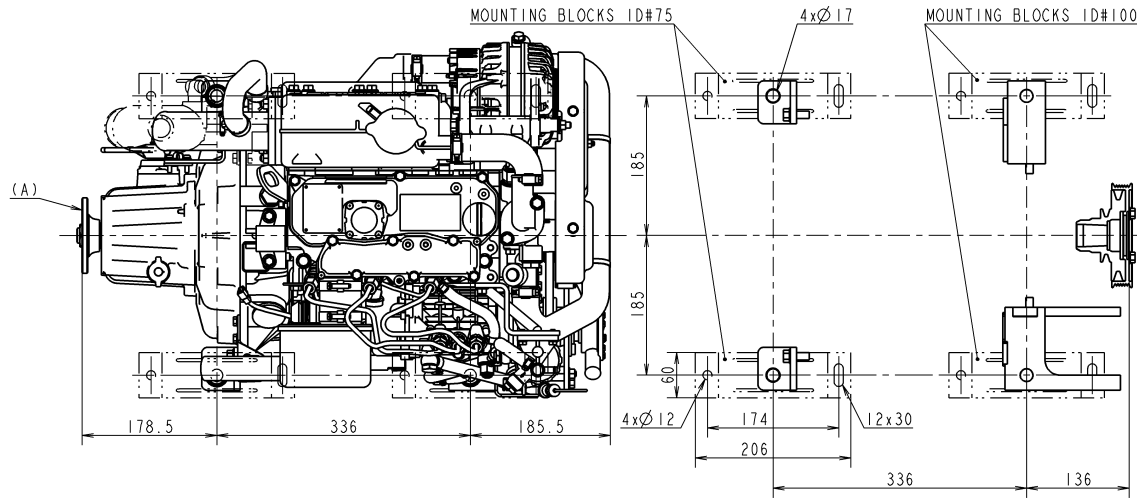
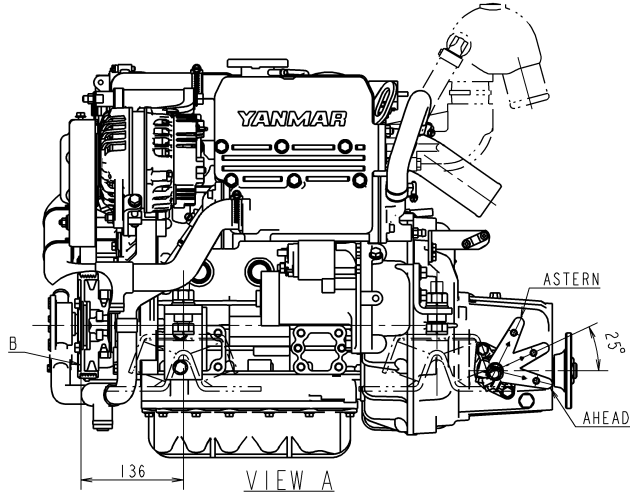


CAREER

CODE 2. CHANGE ALTERNATOR AND CRANK PULLEY (YDSBD-12009)
 REV.1(2015.1.26)
 CHANGE SEAWATER PUMP BRACKET, CHANGE VIEW LAYOUT, (YDSBD-14022)(SHIGA)
 REV.2 (2018.11.27)
 CHANGE HOSE BRACKET (YDSBD-18019)(SHIGA)



NOTE
 1. DWG. SHOWS MOUNTING BLOCKS AT ORIGINAL HEIGHT.
 2. ENGINE WEIGHT WILL COMPRESS BLOCKS BY 4.5mm (APPROX.)
 3. MOUNTING BLOCKS ARE EQUIPPED FOR STANDARD ACCESSORY.
 4. ● SHOWS CENTER OF GRAVITY.

SPECIFICATIONS	
MODEL	3YM20
Continuous Power (ISO8665) kW/min ⁻¹	13.9/3489
Fuel Stop Power Crankshaft (ISO8665) kW/min ⁻¹	15.3/3600
Reduction Ratio	2.21 2.62 3.22
Engine Mass kg	Approx. 130
Direction Of Propeller Shaft Rotation	Clockwise

SEC. MANAGER 嶋崎		MODEL	2YM15	SCALE	1:5
CHECKED 北本	SPECIALIST	QTY	1	MATERIAL	-
DESIGNED K. Shiga	DRAWN	DATE: Y.M.D	2012.11.26	3YM20XKM2PI OUTLINE	
			REV.1(REV.2)	CODE	B2-28890-0012
YANMAR CO., LTD. DEVELOPMENT DIV.				DRAWN SIZE	A2

MANAGER
山口