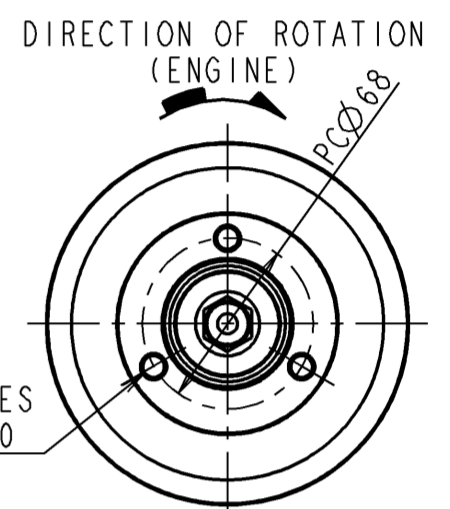
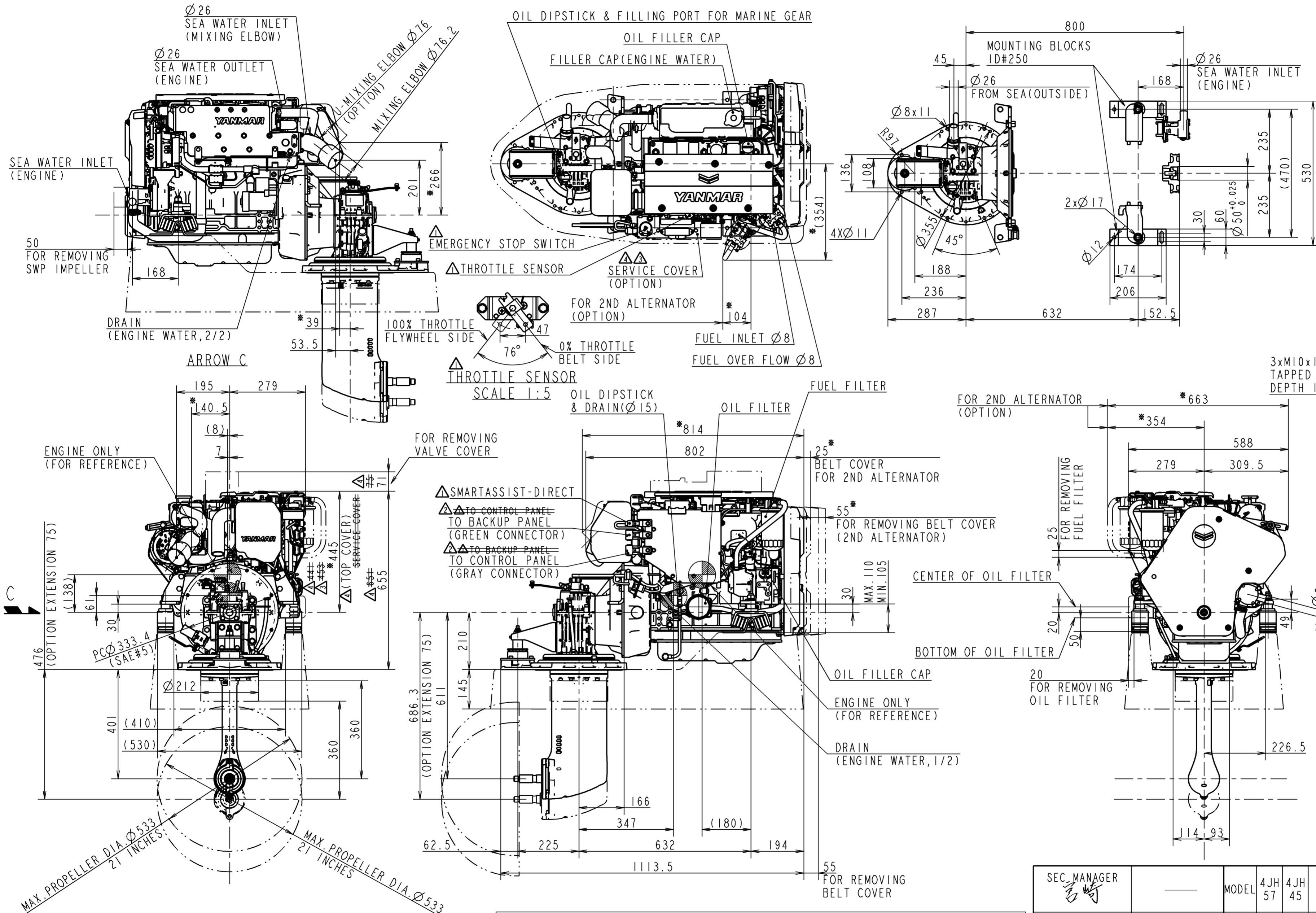


CAREER

改1形 YDSBD-14004により本図新製する。
 1改(2014.6.30)
 ・スロットルセンサ位置追加
 ・ベルトレイン3Dモデル(フロント海水P用)追加
 ・緊急停止スイッチ位置追加
 ・各コネクタ位置追加 (YDSBD-14012)(藤田)
 2改(2014.7.18)
 ・コネクタ位置の誤記を訂正する(YDSBD-14015)(藤田)
 3改(2016.4.11)
 ・サービスカバーオプション設定(YDSBD-16002)(宮崎)
 REV.4(2018.3.20) CHANGE TOP COVER AND BELT COVER(YDSBD-18002)(SHIGA)
 REV.5(2019.2.5) DELETE UNNECESSARY RUBBER MOUNT(YDSBD-18025)(SHIGA)



SPECIFICATIONS			
Model	4JH57	4JH45	
Continuous Power(ISO 8665)	kW/min ⁻¹		38.1 / 2907 30.1 / 2907
Fuel Stop Power	Propeller shaft(ISO 8665)	kW/min ⁻¹ --- ---	
	Crankshaft(ISO 8665)	kW/min ⁻¹ 41.9 / 3000 33.1 / 3000	
Reduction ratio	2.23 2.49 --- 2.23 2.49 ---		
Dry mass	kg Approx.264		
Direction of rotation at output coupling(Forward)	BOTH		

NOTE
 1. MOUNTING BLOCKS ARE COMPRESSED ABOUT 4mm BY ENGINE WEIGHT. DIMENSIONS OF MOUNTING BLOCK IN THIS DRAWING ARE WITHOUT ANY DEFORMATION.
 2. MOUNTING BLOCKS ARE EQUIPPED FOR STANDARD ACCESSORY.
 3. THE FIGURES MARKED WITH * SHOW THE DIMENSIONS WITH U-MIXING ELBOW OR OPTIONAL PARTS.
 4. ● SHOWS THE CENTER OF GRAVITY.

SEC. MANAGER 宮崎	MODEL 4JH57 4JH45	SCALE 1:10
CHECKED 北本	SPECIALIST	MATERIAL
DESIGNED Y. Nuta	DRAWN A. Hori	DATE: Y.M.D 2014.3.17
NAME OUTLINE, 4JH57-SD60		REV. 1 2 3 4 5 REV. 4 REV. 5
YANMAR YANMAR CO., LTD. DEVELOPMENT DIV.		CODE B2-29675-0061

MANAGER
111口

3D-CAD
 NOTICE
 GEOMETRICAL TOLERANCE
 KIND OF TOLERANCE SYMBOL
 SURFACE TOLERANCE
 FINISH TOLERANCE
 POSITIONAL TOLERANCE
 PERPENDICULARITY TOLERANCE
 PARALLELISM TOLERANCE
 RUN-OUT LOCATION ORIENTATION
 SYMMETRY TOLERANCE
 TOTAL RUN-OUT TOLERANCE