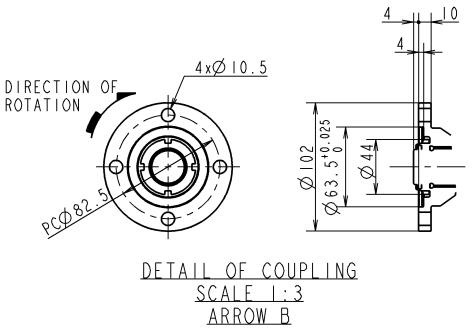
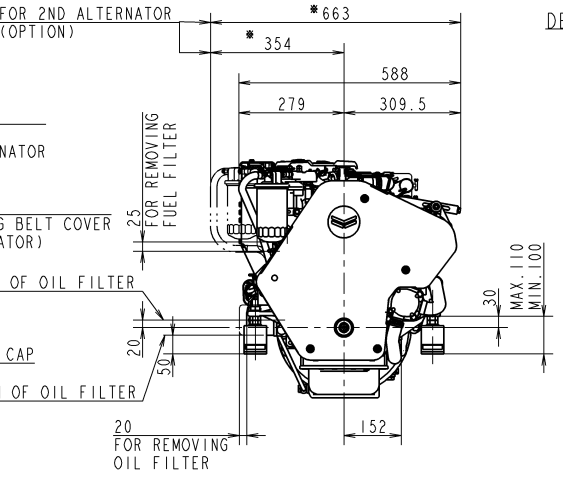
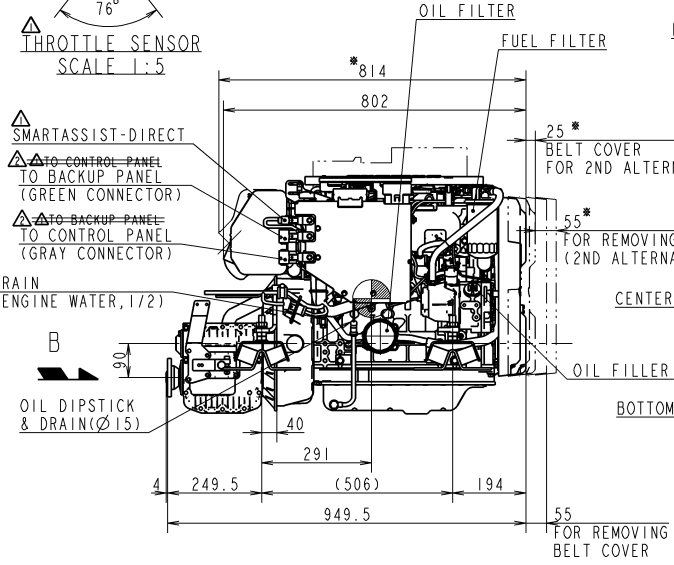
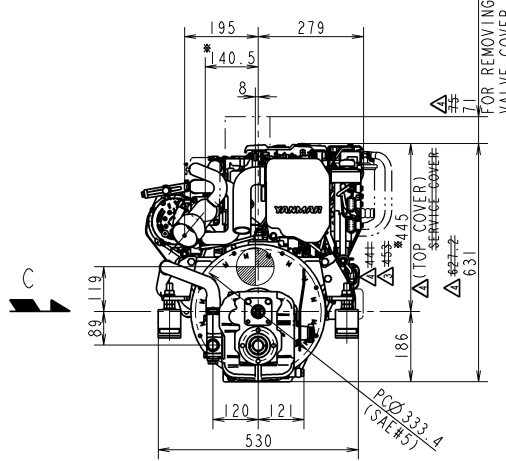
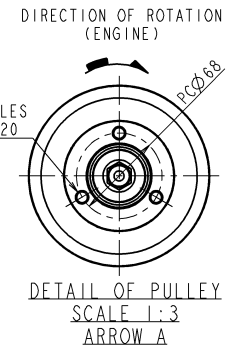
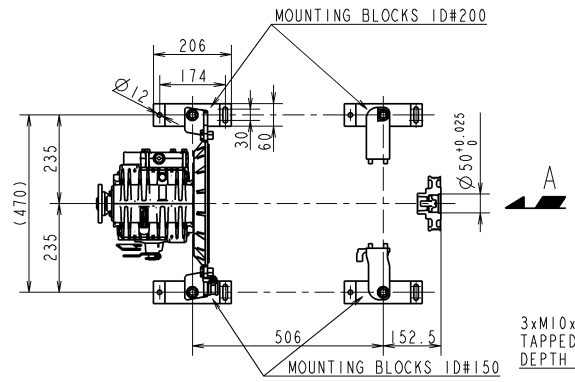
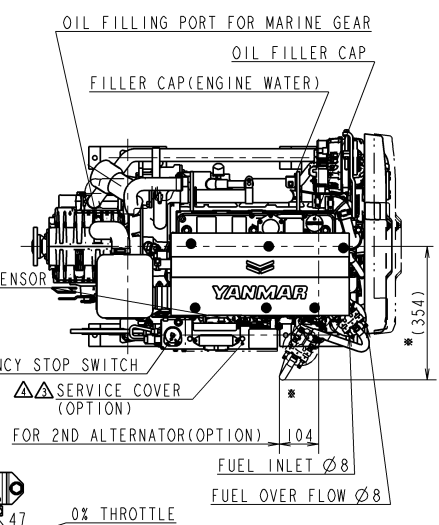
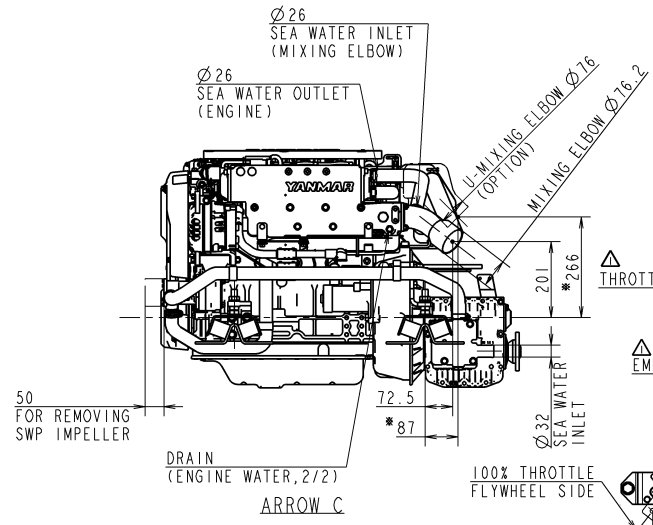


CAREER

改1形 YDSBD-14004にのみ本図適用。
 1改(2014.6.30)
 ・スロットルセンサ位置追加
 ・ベルトトレイン3Dモデル(フロント海水P用)追加
 ・緊急停止スイッチ位置追加
 ・香コネクタ位置追加
 (YDSBD-14012) (概田)
 2改(2014.7.18)
 コネクタ位置の誤記を訂正する(YDSBD-14015) (概田)
 3改(2016.4.11)
 サービスカ/オプション変更(YDSBD-16002) (概田)
 REV.4(2018.3.20) CHANGE TOP COVER AND BELT COVER (YDSBD-18002)



NOTE
 1. MOUNTING BLOCKS ARE COMPRESSED ABOUT 4mm BY ENGINE WEIGHT.
 2. DIMENSIONS OF MOUNTING BLOCK IN THIS DRAWING ARE WITHOUT ANY DEFORMATION.
 3. THE FIGURES MARKED WITH * SHOW THE DIMENSIONS WITH U-MIXING ELBOW OR OPTIONAL PARTS.
 4. ϕ SHOWS THE CENTER OF GRAVITY.

SPECIFICATIONS		
Model	4JH57	4JH45
Continuous Power (ISO 8665)	kW/min ⁻¹ 38.1 / 2907 30.1 / 2907	
Fuel Stop Power	Propeller shaft (ISO 8665) kW/min ⁻¹ --- ---	
	Crankshaft (ISO 8665) kW/min ⁻¹ 41.9 / 3000 33.1 / 3000	
Reduction ratio	2.15 2.70 --- 2.15 2.70 ---	
Dry mass	kg Approx. 243	
Direction of rotation at output coupling (Forward)	clockwise	

MANAGER 1110

SEC. MANAGER	北本	MODEL	4JH57 4JH45	SCALE	1:10
CHECKED	北本	SPECIALIST		QTY	-
DESIGNED	Y. Nuta	DATE: Y.M.D	2014.3.17	MATERIAL OUTLINE, 4JH57-ZF30M	
DRAWN	A. Hori				
YANMAR					
CODE	B2-29675-0051	REV. 4	1改 2改 3改	DRAWN	A2

YANMAR CO., LTD. DEVELOPMENT DIV.