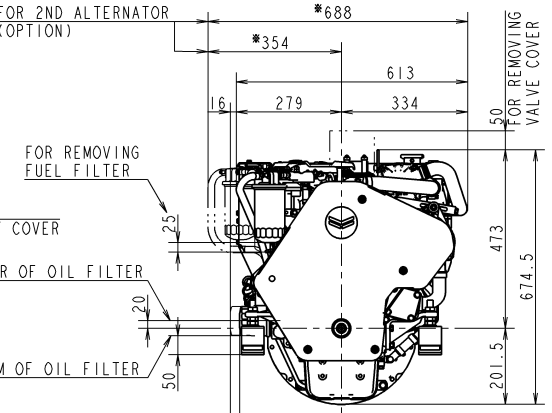
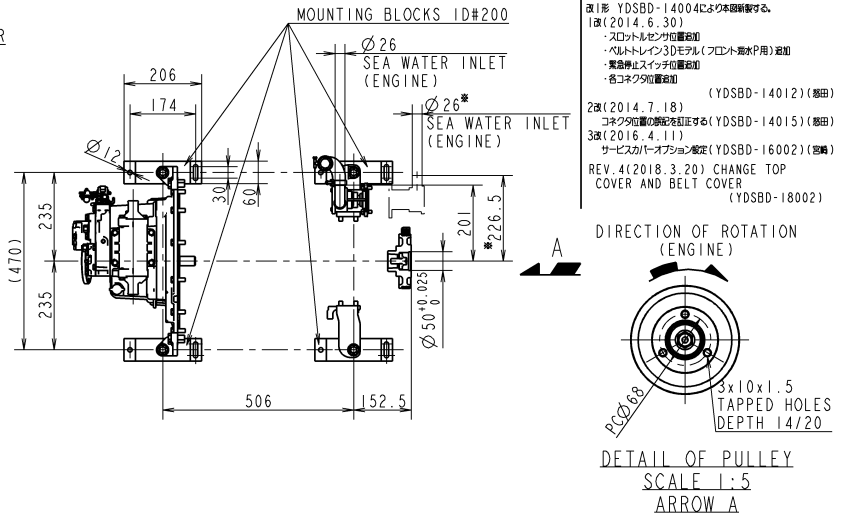
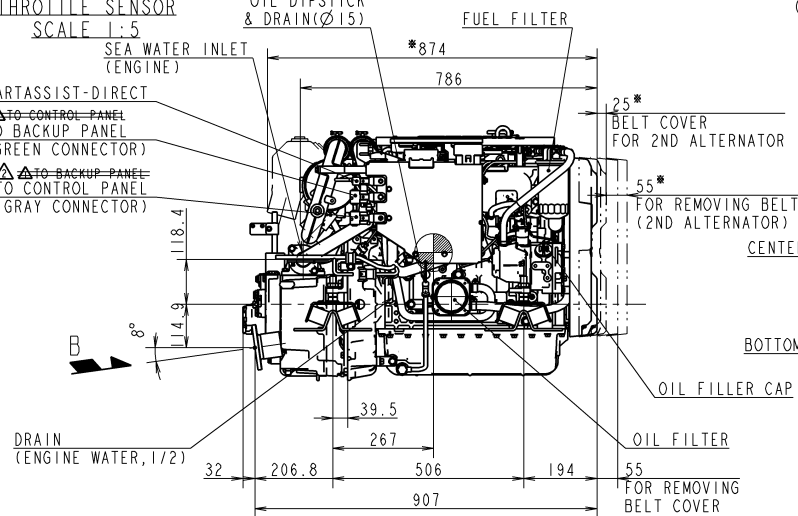
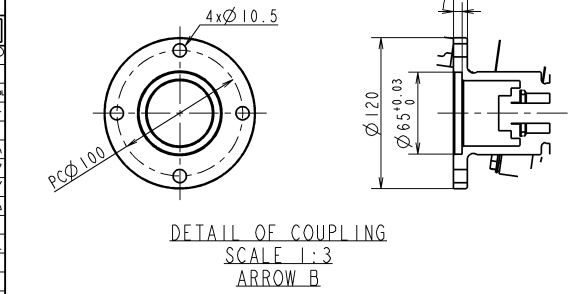
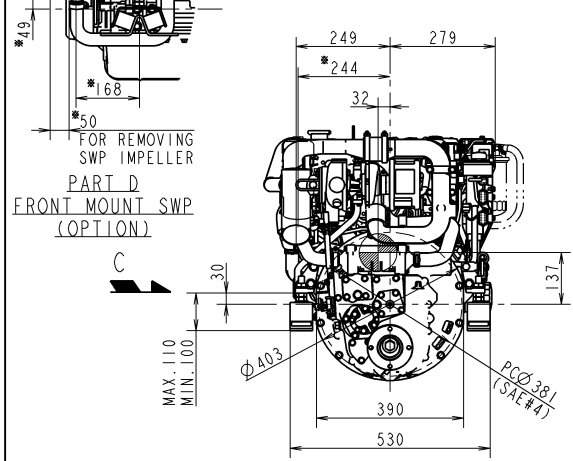
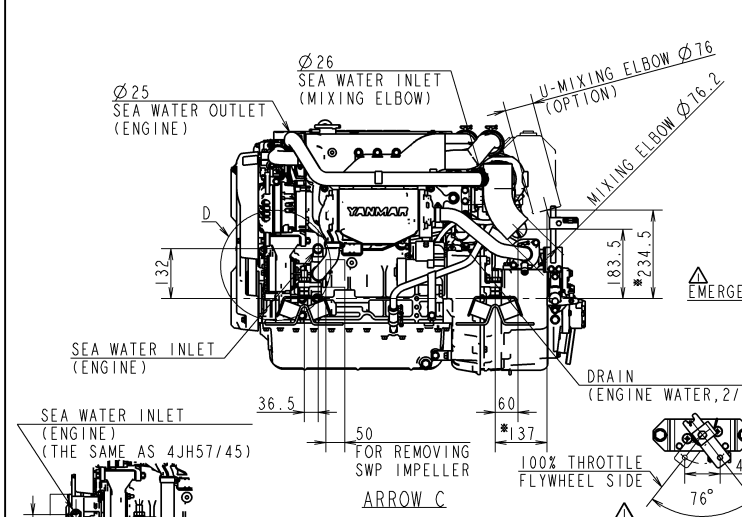


CAREER

※1形 YDSBD-14004にのみ本図適用。
 1改(2014.6.30)
 ・スロトルセン付位置追加
 ・ベルトレイン3Dモデル(フロント飛水用)追加
 ・緊急停止スイッチ位置追加
 ・各コネクタ位置追加
 (YDSBD-14012)(他由)
 2改(2014.7.18)
 コネクタ位置の誤記を訂正する(YDSBD-14015)(他由)
 3改(2016.4.11)
 サービスカバーオプション設定(YDSBD-16002)(他由)
 REV.4(2018.3.20) CHANGE TOP COVER AND BELT COVER (YDSBD-18002)



NOTE
 1. MOUNTING BLOCKS ARE COMPRESSED ABOUT 4mm BY ENGINE WEIGHT.
 2. DIMENSIONS OF MOUNTING BLOCK IN THIS DRAWING ARE WITHOUT ANY DEFORMATION.
 3. THE FIGURES MARKED WITH * SHOW THE DIMENSIONS WITH U-MIXING ELBOW OR OPTIONAL PARTS.
 4. ● SHOWS THE CENTER OF GRAVITY.

SPECIFICATIONS		
Model	4JH110	4JH80
Continuous Power(ISO 8665)	kW/min ⁻¹ 73.6 / 3101 53.5 / 3101	
Fuel Stop Power	Propeller shaft(ISO 8665) kW/min ⁻¹ --- ---	
	Crankshaft(ISO 8665) kW/min ⁻¹ 80.9 / 3200 58.8 / 3200	
Reduction ratio	2.04 [2.45] --- 2.04 [2.45] ---	
Dry mass	kg Approx.261	
Direction of Rotation at Output Coupling (Forward)	BOTH	

SEC. MANAGER 北本	CHECKED 北本	DESIGNED Y. Nuta	DRAWN A. Hori	DATE: Y.M.D 2014.3.17	MODEL 4JH 110 4JH 80	QTY -	SCALE 1:10	MATERIAL
OUTLINE, 4JH110-KMH4A							REV. 4	DRAWN STYLE A2
YANMAR							CODE B2-29677-0031	

MANAGER
山口

YANMAR CO., LTD. DEVELOPMENT DIV.