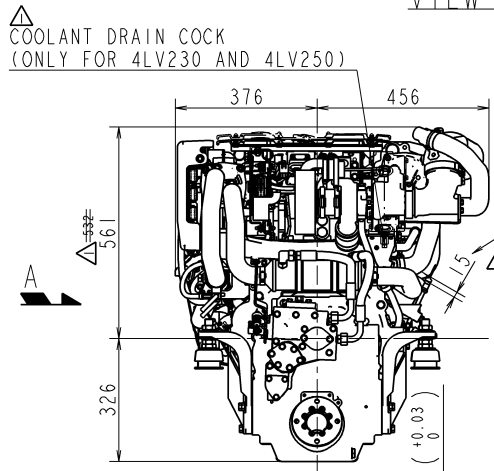
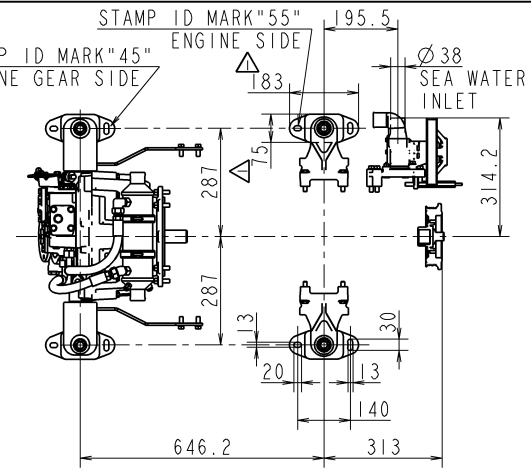
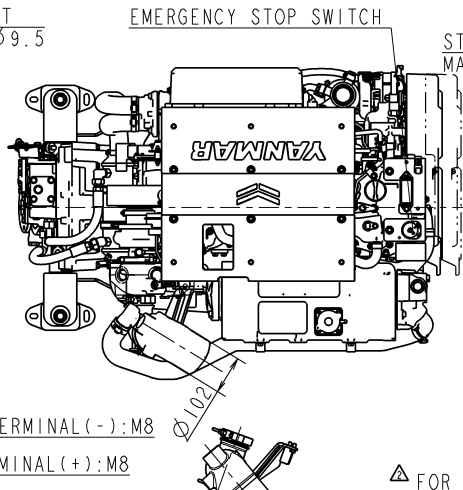
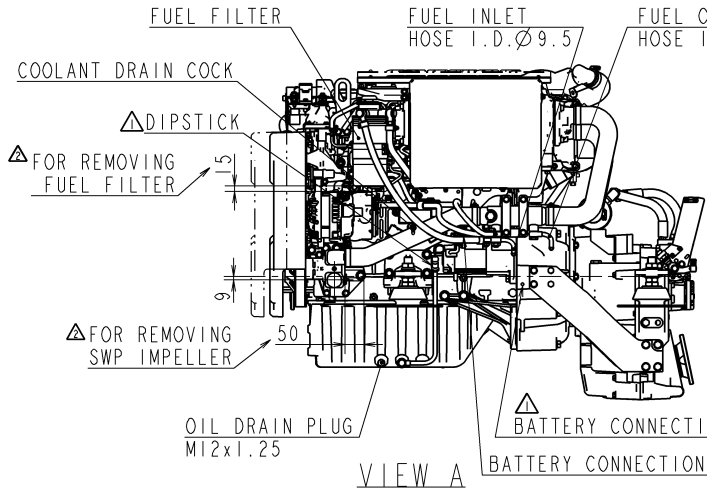
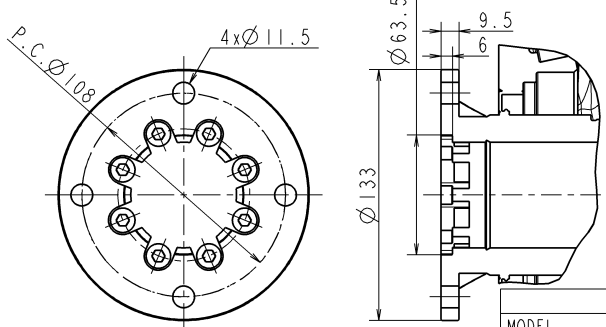
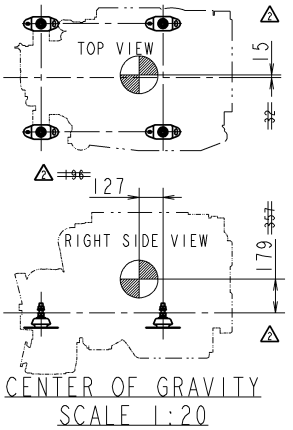
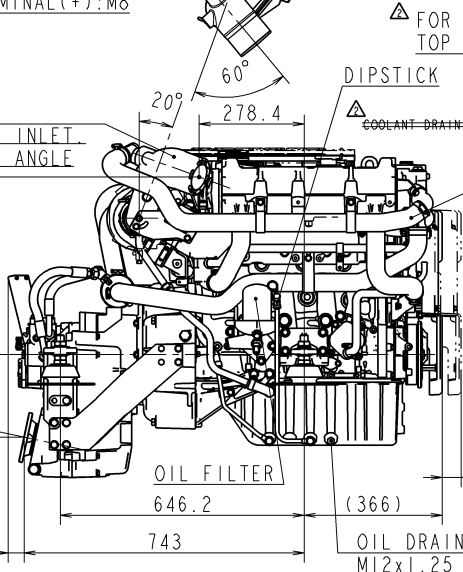


CAREER

RELEASE OF DRAWING FOR MASS PRODUCTION.
 (YDSBD-17005)
 REV1(2017.12.5) (YDSBD-17006)(ISHII)
 REV2(2018.5.11) (YDSBD-18003)(T.NAKAMURA)



MIXING ELBOW V-BAND TYPE AT EXHAUST INLET. ALLOWABLE INSTALLATION ANGLE IS OVER 20°



SPECIFICATIONS						
MODEL	4LV150	4LV170	4LV195	Δ 4LV230	Δ 4LV250	
Continuous Power (ISO8665)kW/min ⁻¹	100 / 3392	114 / 3392	130 / 3392	154 / 3683	168 / 3683	
Fuel Stop Power Crankshaft (ISO8665)kW/min ⁻¹	110 / 3500	125 / 3500	143 / 3500	169 / 3800	184 / 3800	
Engine Mass kg	Approx. 411 Δ ##					
Direction Of Propeller Shaft Rotation	Counter-clockwise					

SEC. MANAGER 阿佐	MODEL	4LV150	4LV170	4LV195	4LV230	4LV250	SCALE	1:10
CHECKED 阿佐	SPECIALIST	QTY	-	-	-	-	MATERIAL	-
DESIGNED 石井	DRAWN 堀	DATE: Y.M.D	2017.10.24				NAME 4LV X KMH50V OUTLINE	
							REV1 REV2	A2
YANMAR CO., LTD. DEVELOPMENT DIV.							CODE	B2-20672-0030

量産用 FOR MASS PRODUCTION

MANAGER
山口