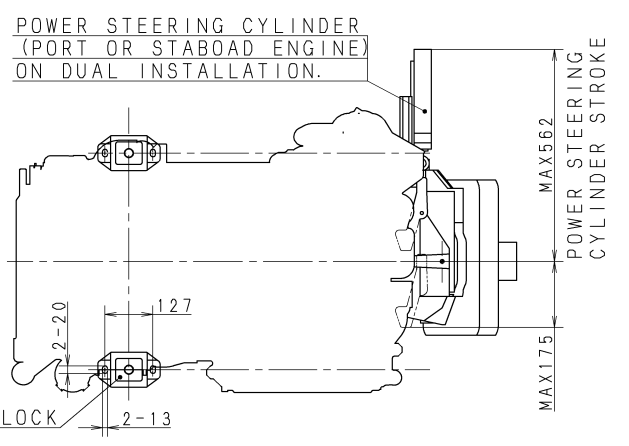


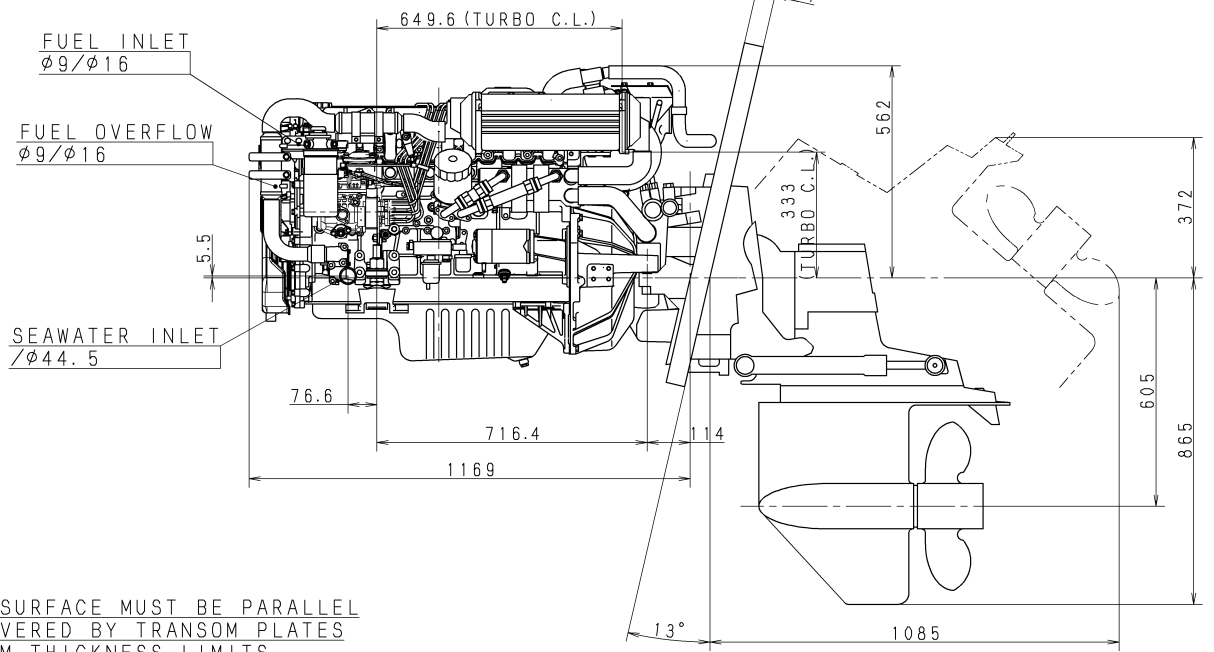
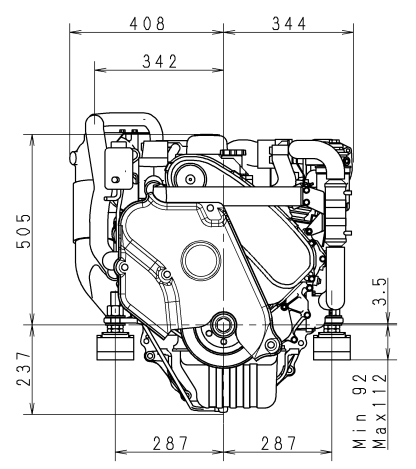
DETAIL OF PULLEY (1/5)



MOUNTING BLOCK

POWER STEERING CYLINDER  
(PORT OR STABOARD ENGINE)  
ON DUAL INSTALLATION.

POWER STEERING  
CYLINDER STROKE



NOTE:

- INNER AND OUTER TRANSOM SURFACE MUST BE PARALLEL WITHIN 3mm IN AREA OF COVERED BY TRANSOM PLATES AND REMAIN WITHIN TRANSOM THICKNESS LIMITS.
- AREA COVERED BY GIMBAL HOUSING ASSEMBLY MUST BE FLAT TO WITHIN 1.6mm
- AREA COVERED BY INNER TRANSOM PLATE MUST BE FLAT TO WITHIN 3.2mm.
- TRANSOM ANGLE : 13° to 16°
- DWG. SHOWS MOUNTING BLOCKS AT COMPRESSED HEIGHT. (FRONT:COMPRESSED BY APPROX. 4MM REAR:COMPRESSED BY APPROX. 0.6MM)

THROUGH HUB EXHAUST

SPECIFICATIONS	
MODEL	6LPA-STZP2
CONT. RAITING OUTPUT (FLYWHEEL OUTPUT)	kW/rpm 211/3682 HP/rpm 286/3682
MAX OUTPUT (FLYWHEEL OUTPUT)	kW/rpm 232/3800 HP/rpm 315/3800
DRY WEIGHT	kg (lb) APPROX. 428 (944)
REDUCTION RATIO	1.50   1.65   1.81   2.00
DIRECTION OF PROP. SHAFT ROTATION	COUNTER-CLOCKWISE

株 図 CHECKED 藤沢	長 SEC. MANAGER 松岡	機 種 MODEL STZP2	個 数 QTY.	材 質 MATERIAL	尺 度 SCALE 1:10 (1:5)
設 計 DESIGNED T. Nakamura	製 図 DRAWN	年 月 日 DATE 2007 3.14	名 称 NAME 6LPA-STZP2 X BRAVO2 OUTLINE OUTLINE	材 質 MATERIAL	尺 度 SCALE 1:10 (1:5)
YANMAR CO., LTD. DEVELOPMENT DEPT.				コ ー ド CODE B2-19779-0350	図 面 A2 (C)

部長  
MANAGER  
梶

材 質  
MATERIAL

名 称  
NAME  
6LPA-STZP2 X BRAVO2 OUTLINE  
OUTLINE

コ ー ド  
CODE  
B2-19779-0350