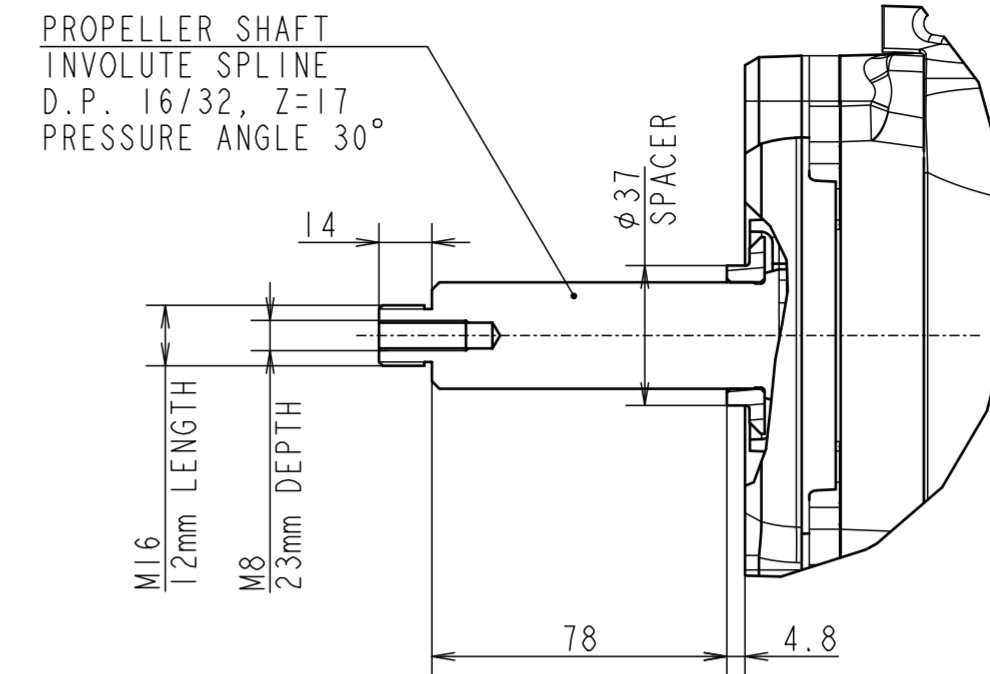
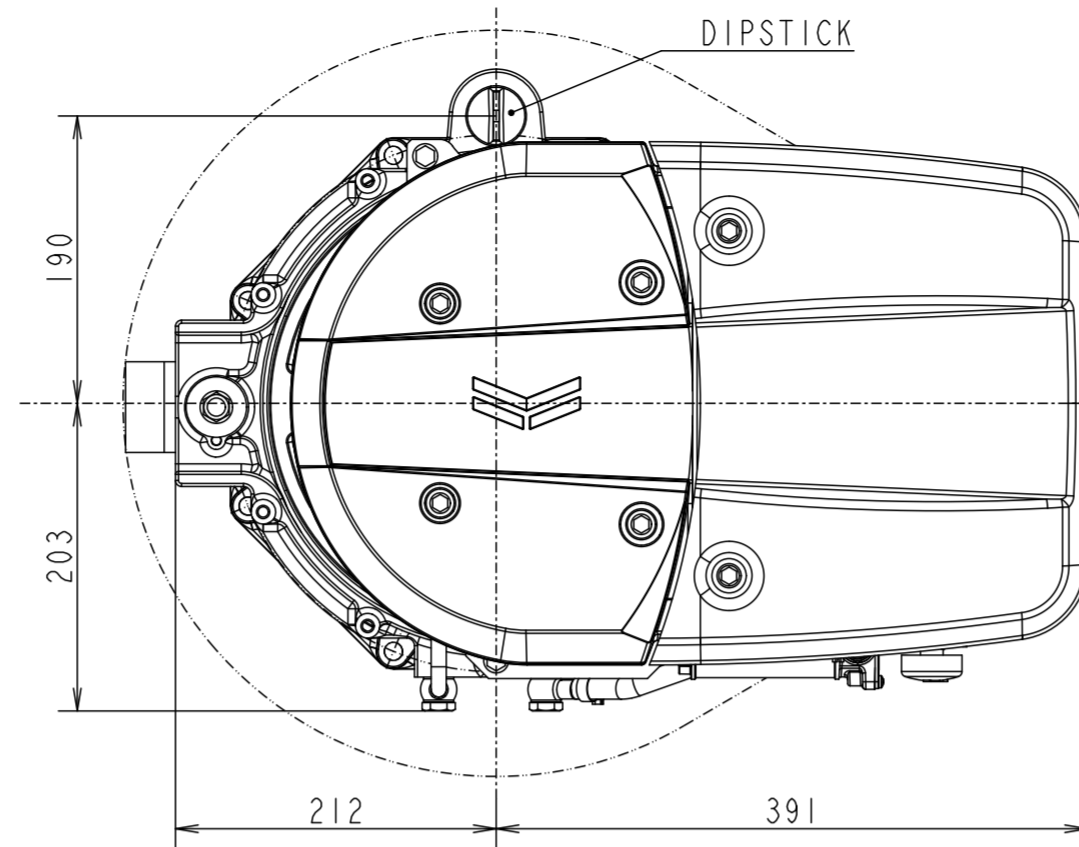
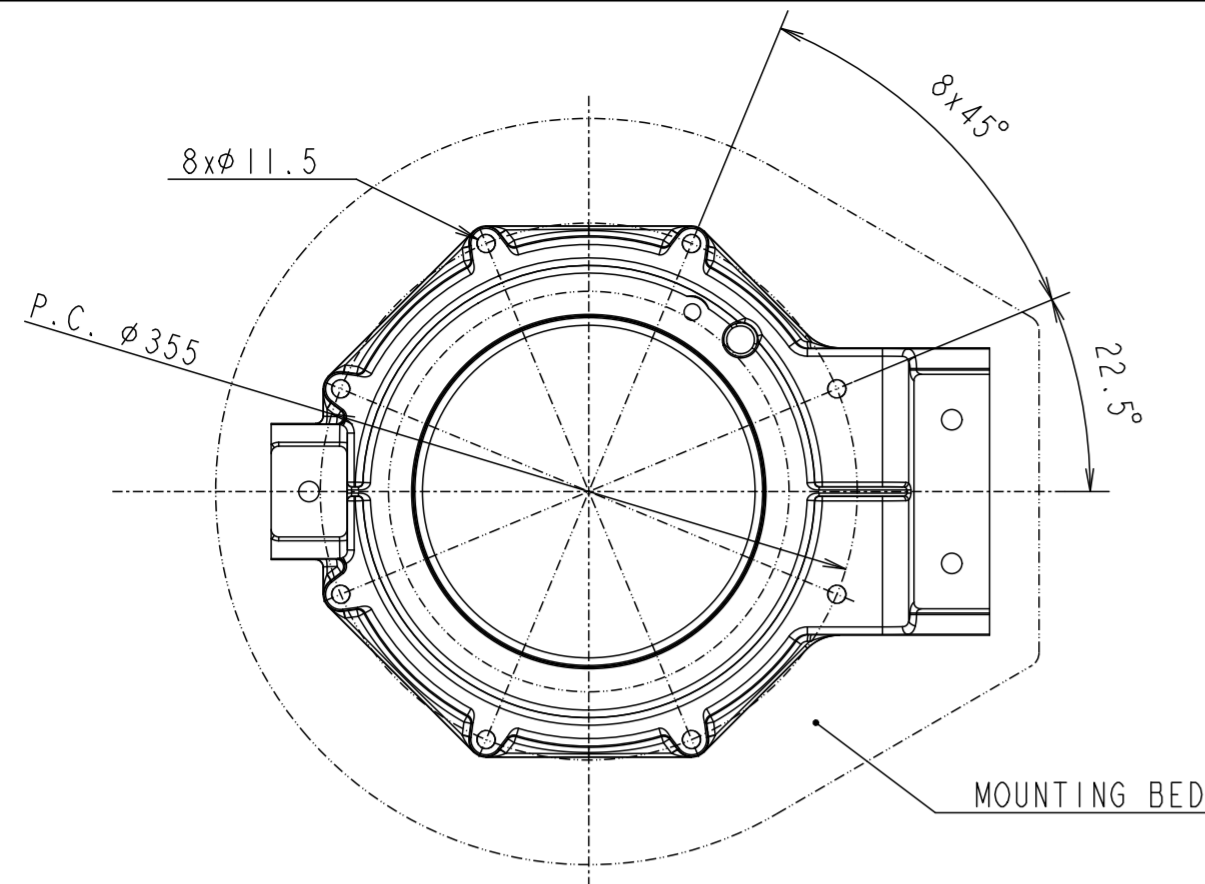
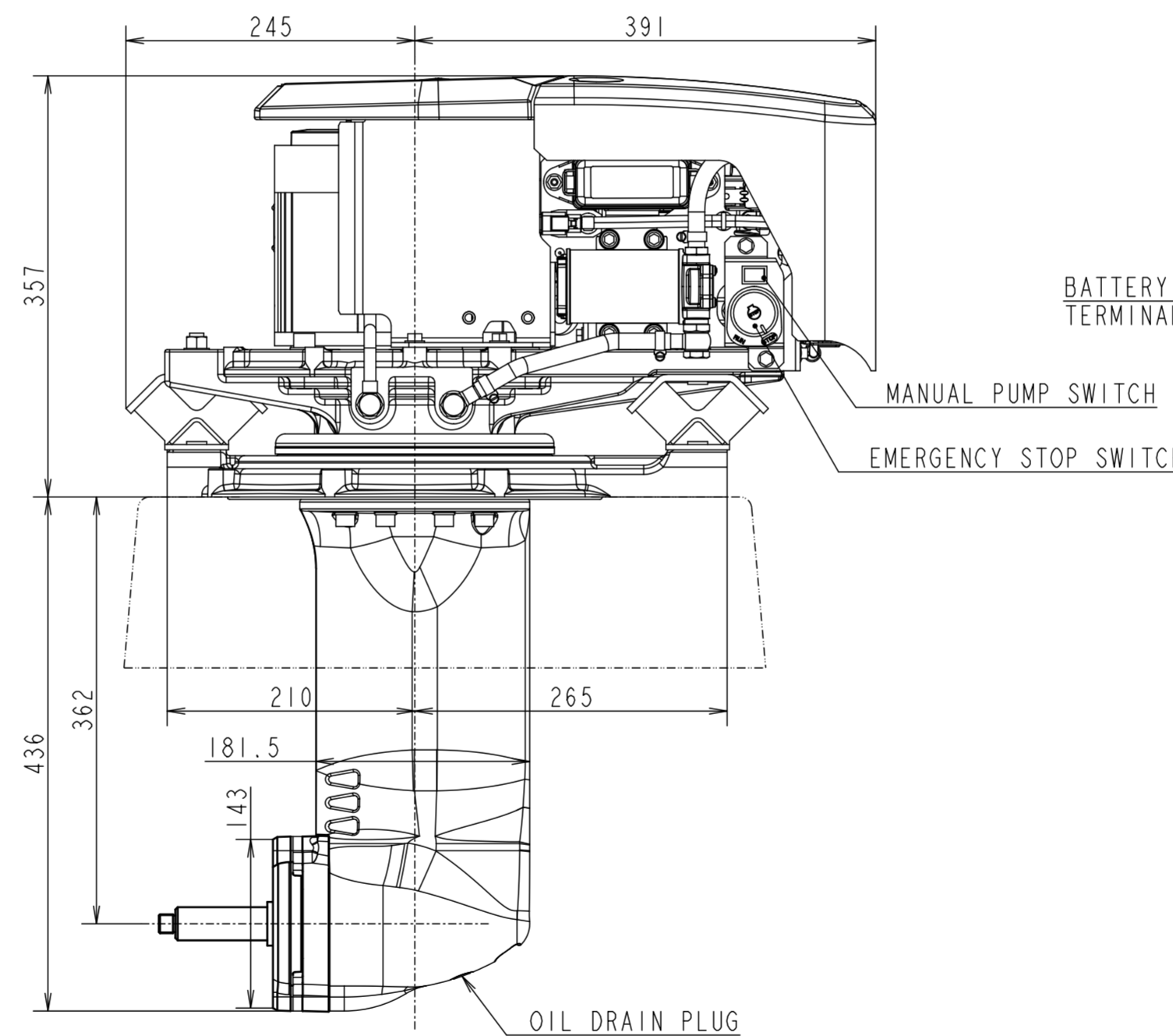
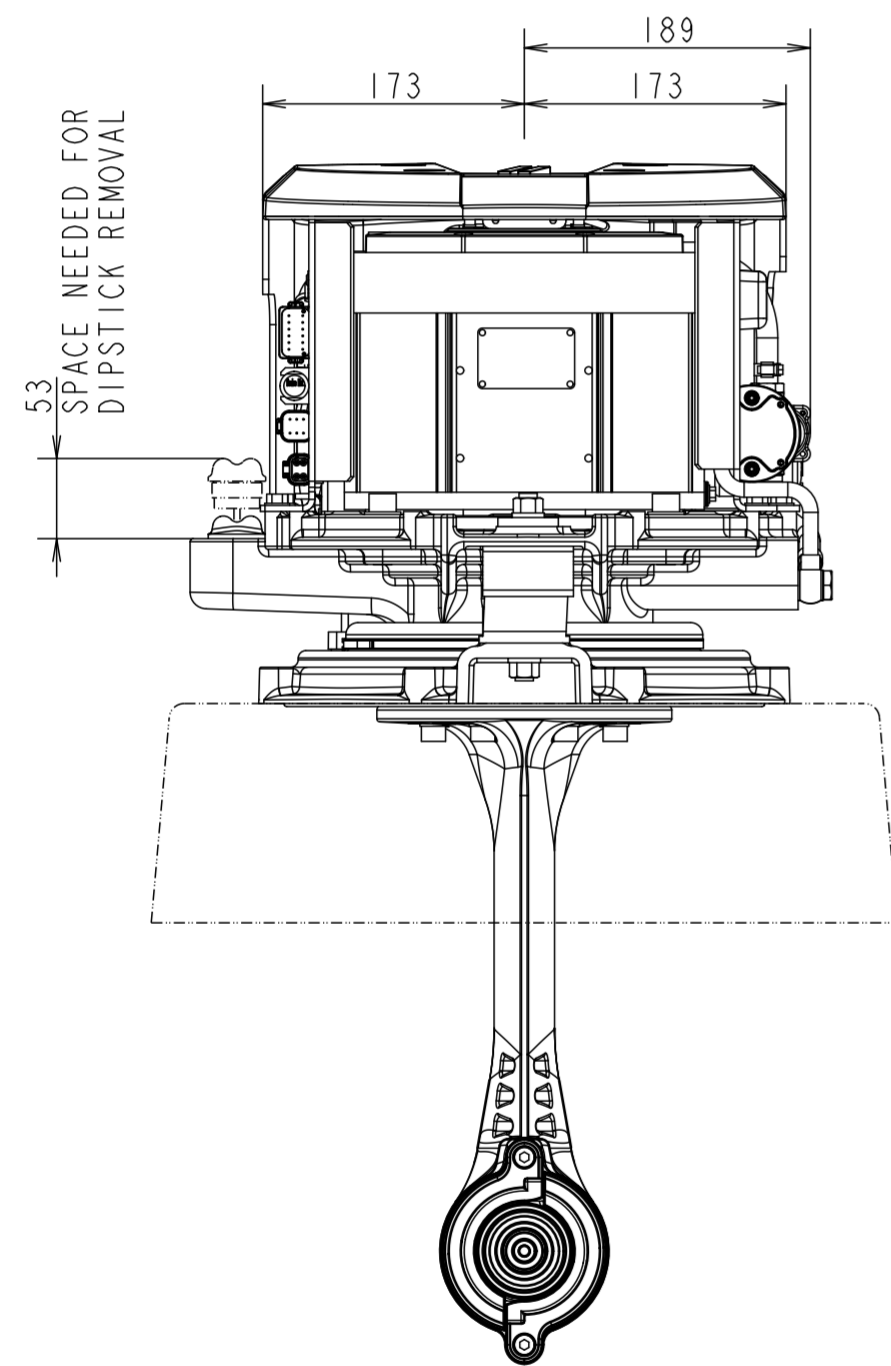


CAREER



PROPELLER SHAFT (NOT TO SCALE)



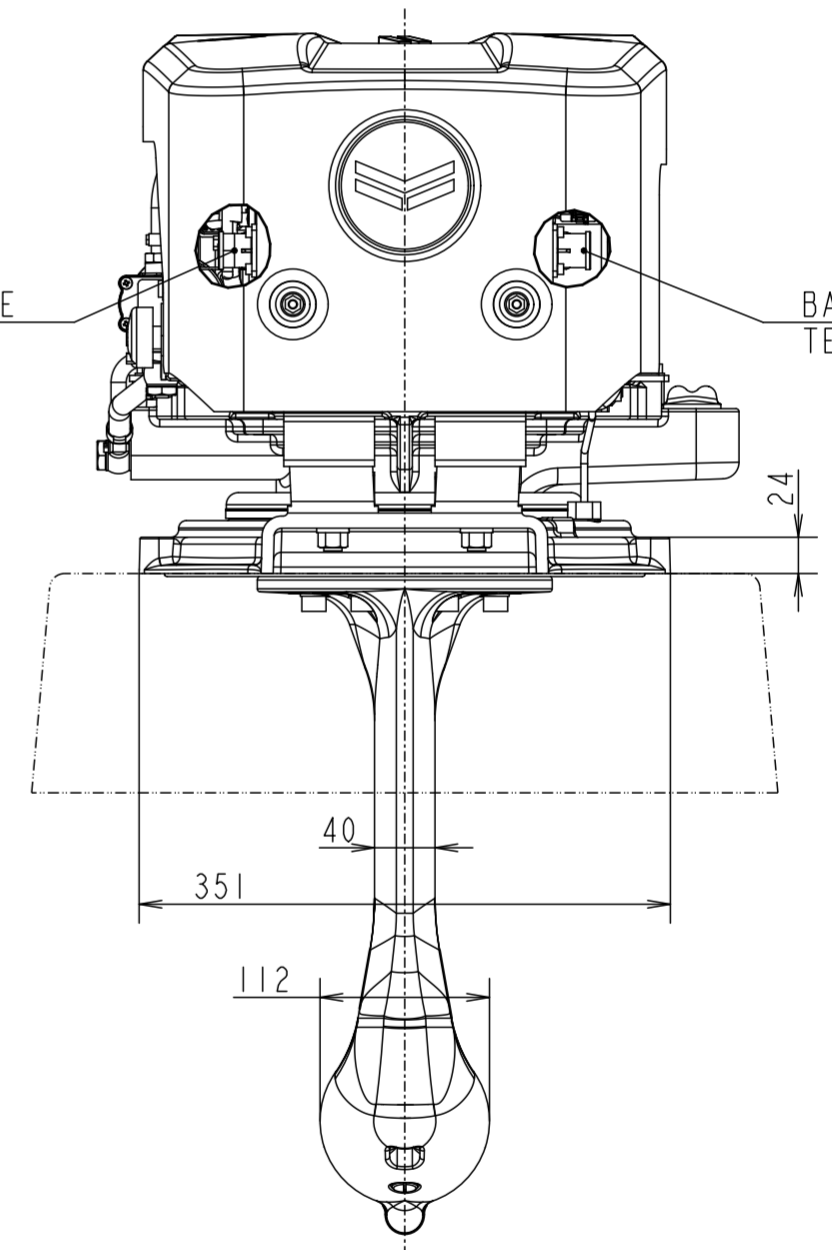
BATTERY POSITIVE TERMINAL

BATTERY GROUND TERMINAL

MANUAL PUMP SWITCH

EMERGENCY STOP SWITCH

OIL DRAIN PLUG



MANAGER

TECHNICAL SPECIFICATIONS		
MODEL		SDe15
OUTPUT SHAFT POWER	kW/min ⁻¹	15 / 2700
REDUCTION RATIO		2.13
DRY WEIGHT	kg	78.0
OIL TYPE		ATF
OIL CAPACITY	L	3.4

SEC. MANAGER		MODEL	SDe15	SCALE	1:5
CHECKED	SPECIALIST	QTY		MATERIAL	
DESIGNED	DRAWN	DATE: Y.M.D	NAME	SDe15 OUTLINE	
	lvdB	2025.11.07			
YANMAR				CODE	B2-V5900-0010
YANMAR MARINE INTERNATIONAL B.V.				DRAW SIZE	A2

3D-CAD

NOTICE

GEOMETRICAL TOLERANCE	
KIND OF TOLERANCE	SYMBOL
STRAIGHTNESS TOLERANCE	— —
CIRCULARITY TOLERANCE	○
PROFILE OF LINE TOLERANCE	— — —
FLATNESS TOLERANCE	▭
CYLINDRICITY TOLERANCE	∩
PARALLELISM TOLERANCE	∥
PERPENDICULARITY TOLERANCE	⊥
ANGULARITY TOLERANCE	∠
POSITIONAL TOLERANCE	⊕
COINCIDENCE TOLERANCE	⊙
SYMMETRY TOLERANCE	≡
STRAIGHT RUN-OUT TOLERANCE	↗
TOTAL RUN-OUT TOLERANCE	↘