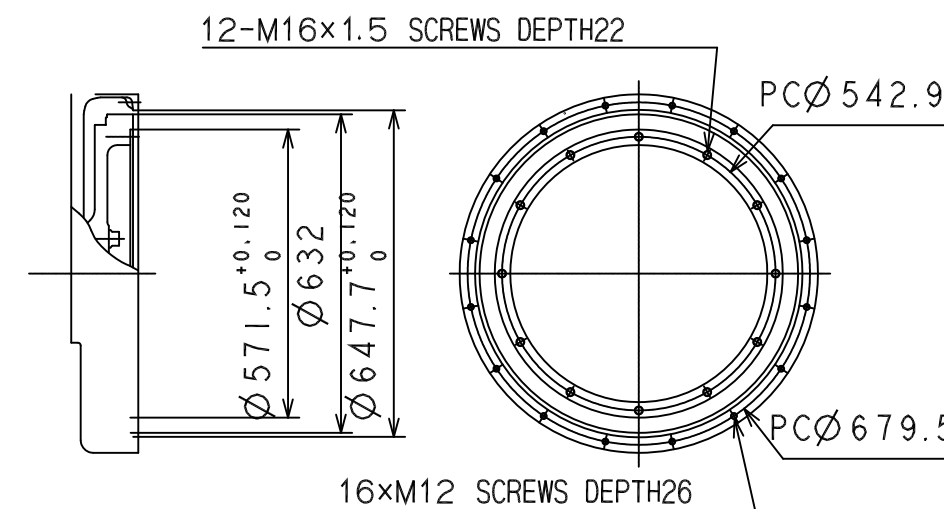
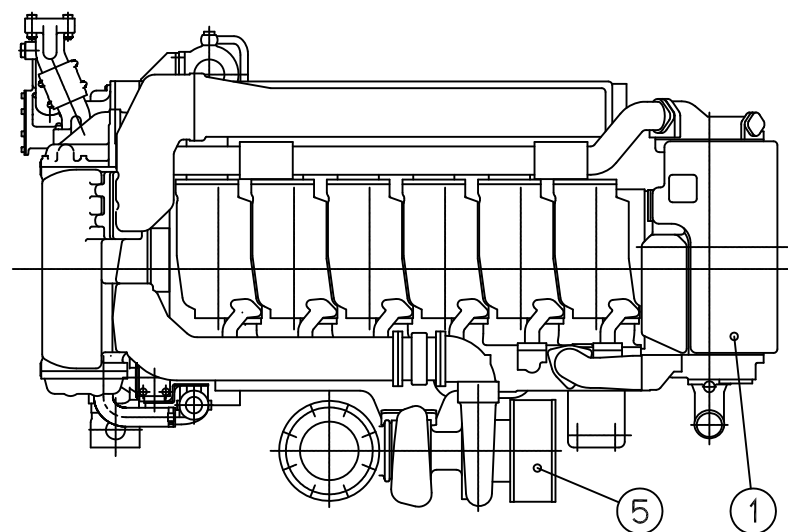
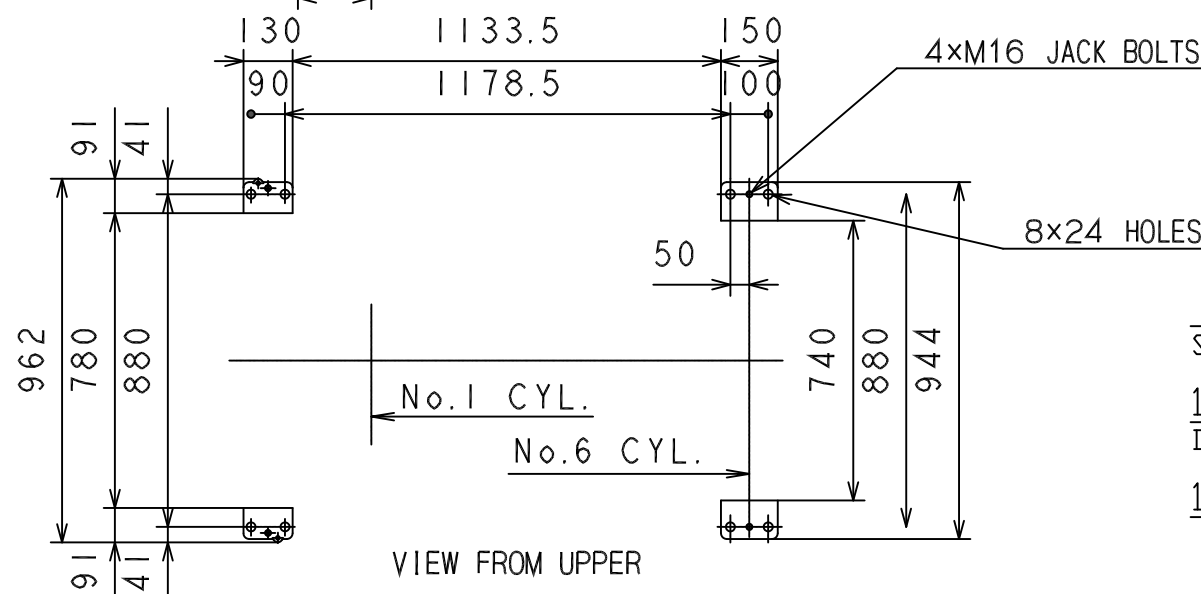
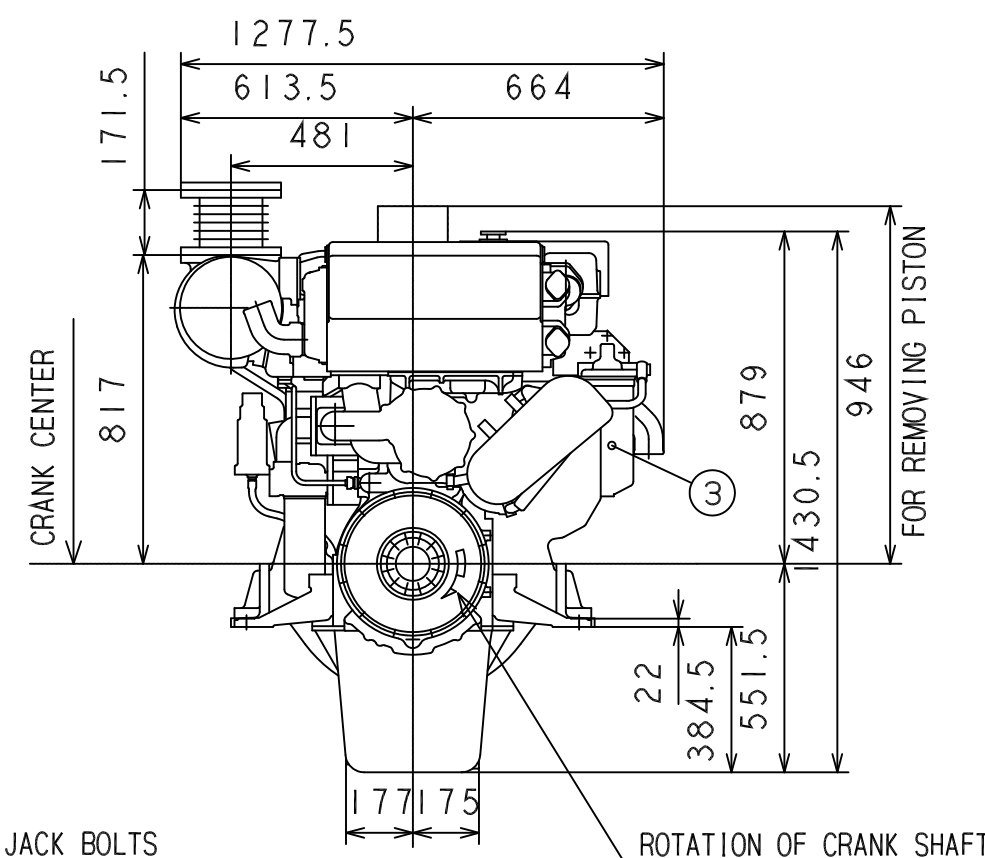
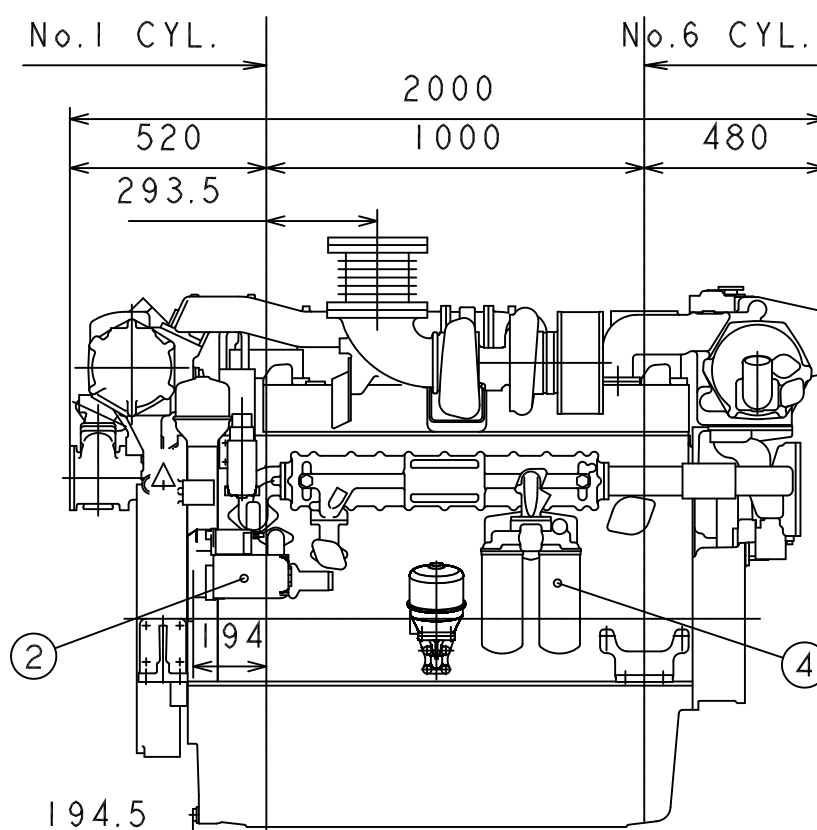
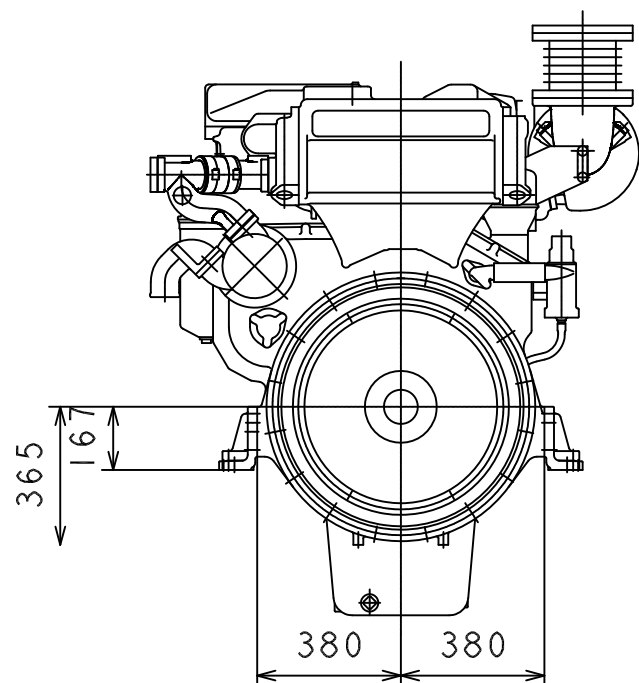


No.	N A M E
1	FRESH WATER TANK
2	STARTING MOTOR
3	FUEL OIL FILTER
4	LUB. OIL FILTER
5	AIR FILTER FOR TURBO.



FLY-WHEEL & FLY-WHEEL HOUSING
(SAE#0 & F. W. #18) (SCALE 1 15)



ENG. MODEL	CLUTCH MODEL
6AYM-WST	_____
TOTAL MASS(abt.)	2365 kg

SCALE	NAME	MODEL
1:20(1:15)	OUTLINE	6AYM-MST
DATE	ORIGINAL DRAWING NUMBER	REVISION
10-18-2010	B3-48660-4480	0

YANMAR
Copyright(C) YANMAR CO.,LTD. All right reserved.