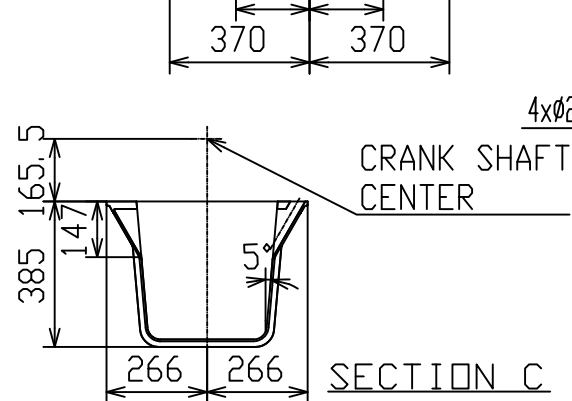
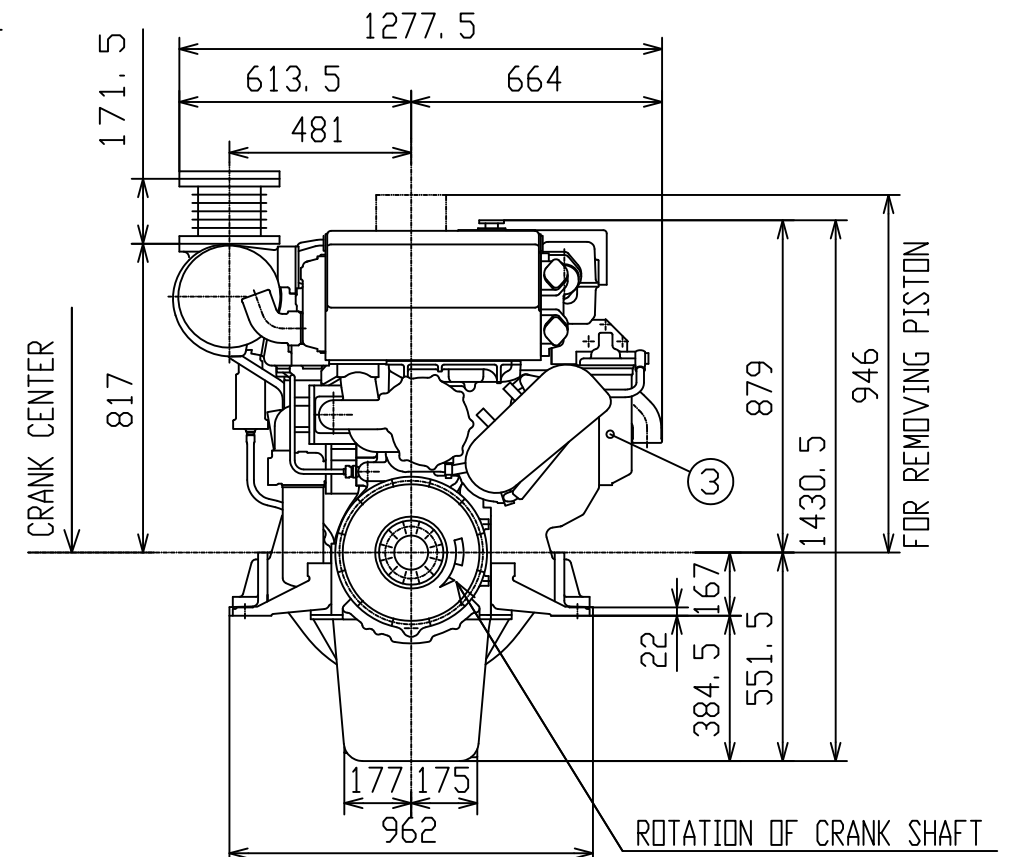
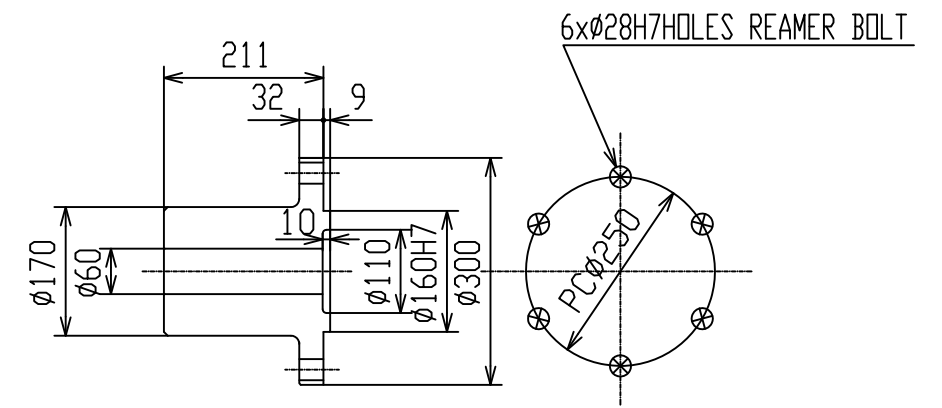
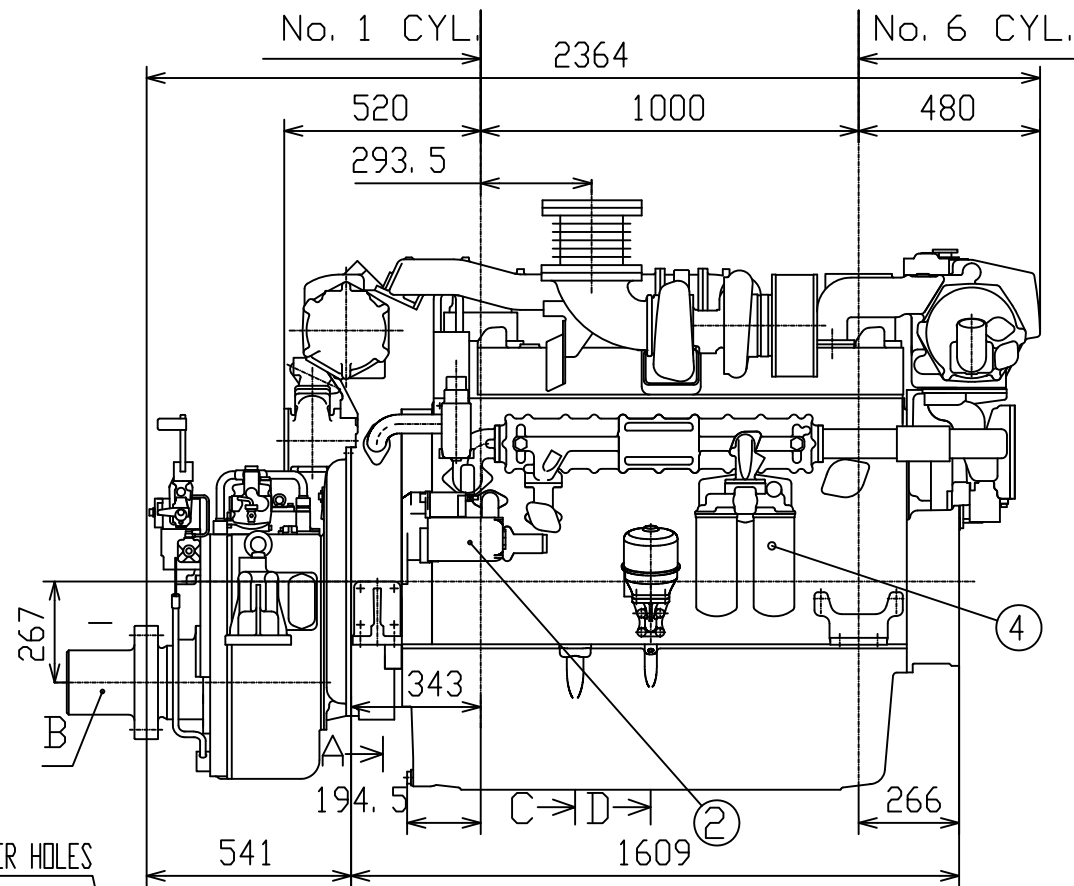
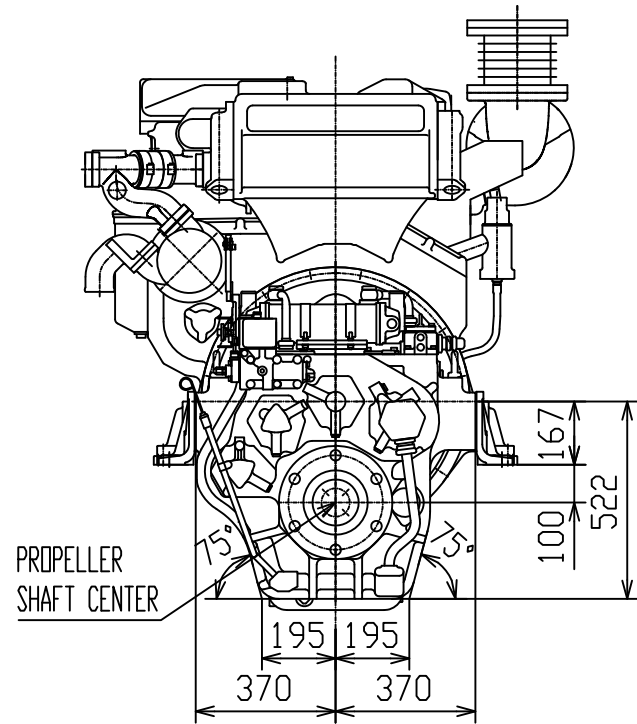
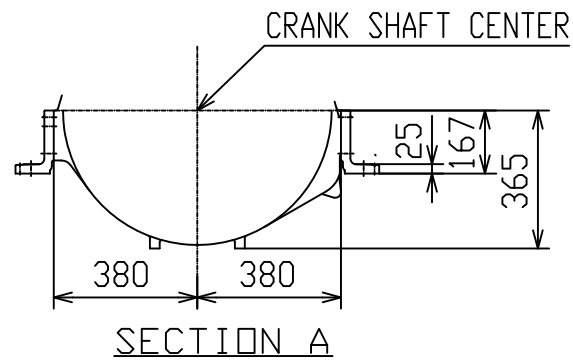
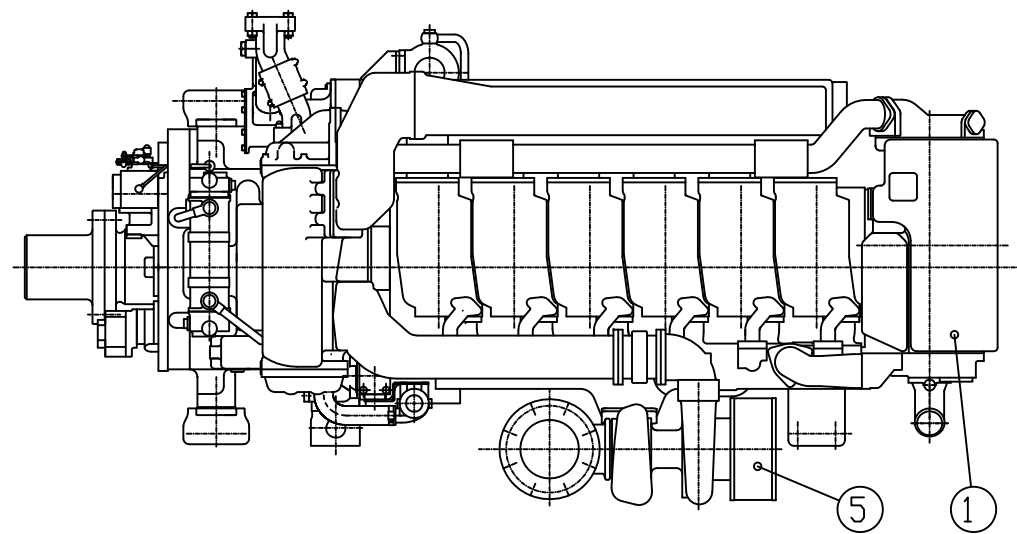
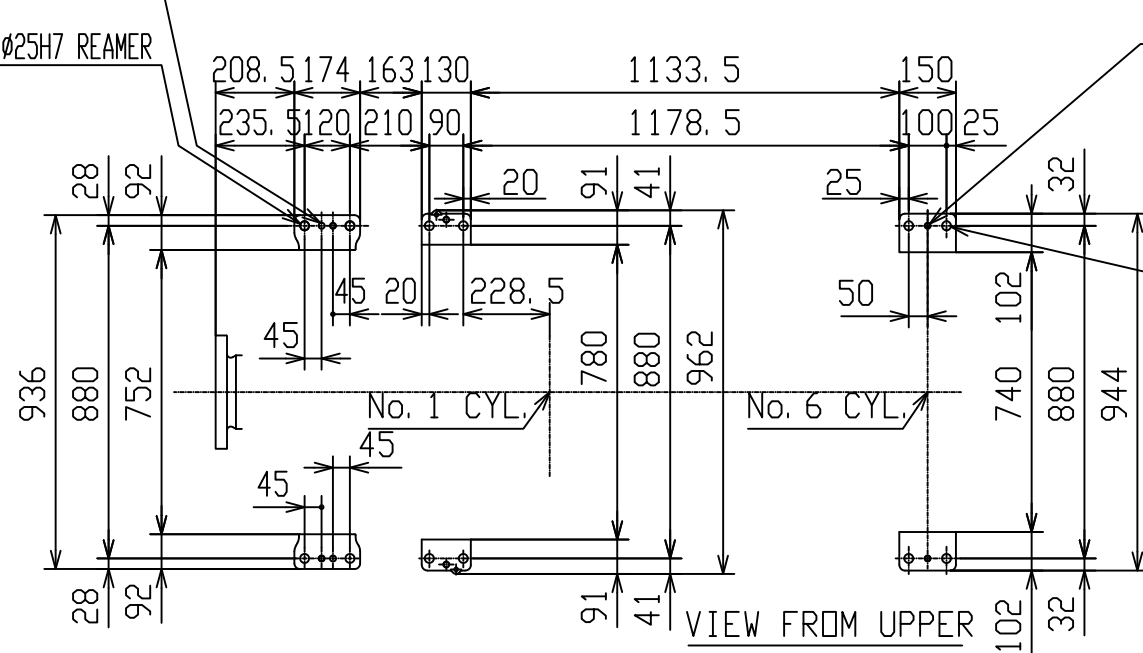


No.	N A M E
1	FRESH WATER TANK
2	STARTING MOTOR
3	FUEL OIL FILTER
4	LUB. OIL FILTER
5	AIR FILTER FOR TURBO.



2xØ16 TAPER HOLES

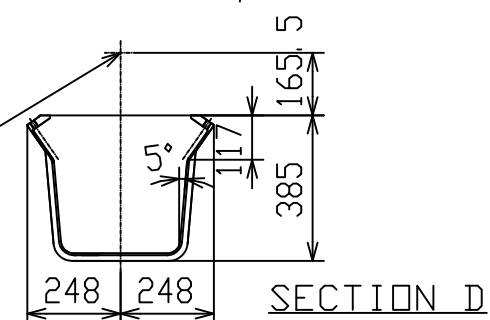
4xØ24 HOLES FOR Ø25H7 REAMER



6xM16 JACK BOLTS

CRANK SHAFT CENTER

8x24 HOLES



ENG. MODEL	CLUTCH MODEL
6AYM-WST	YX-181
TOTAL MASS(abt.)	2895kg

SCALE 1:20(1:10)

NAME OUTLINE

MODEL 6AYM-WST x YX-181

DATE 30-10-2013

ORIGINAL DRAWING NUMBER B3-48660-4490

REVISION 0