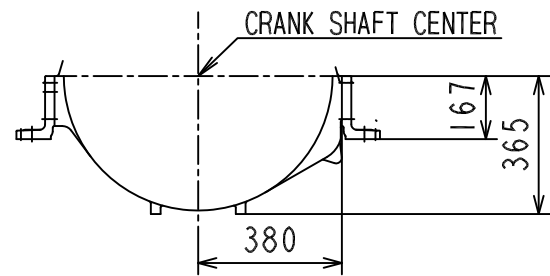
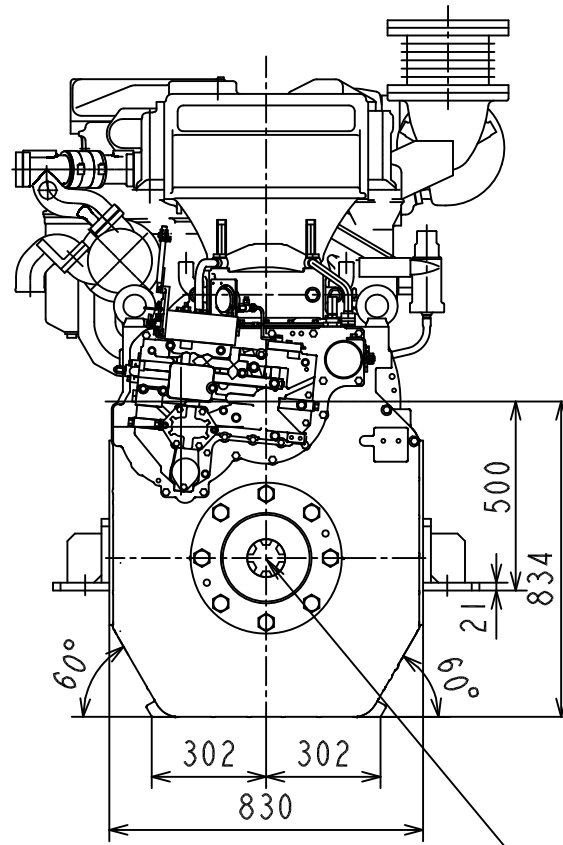


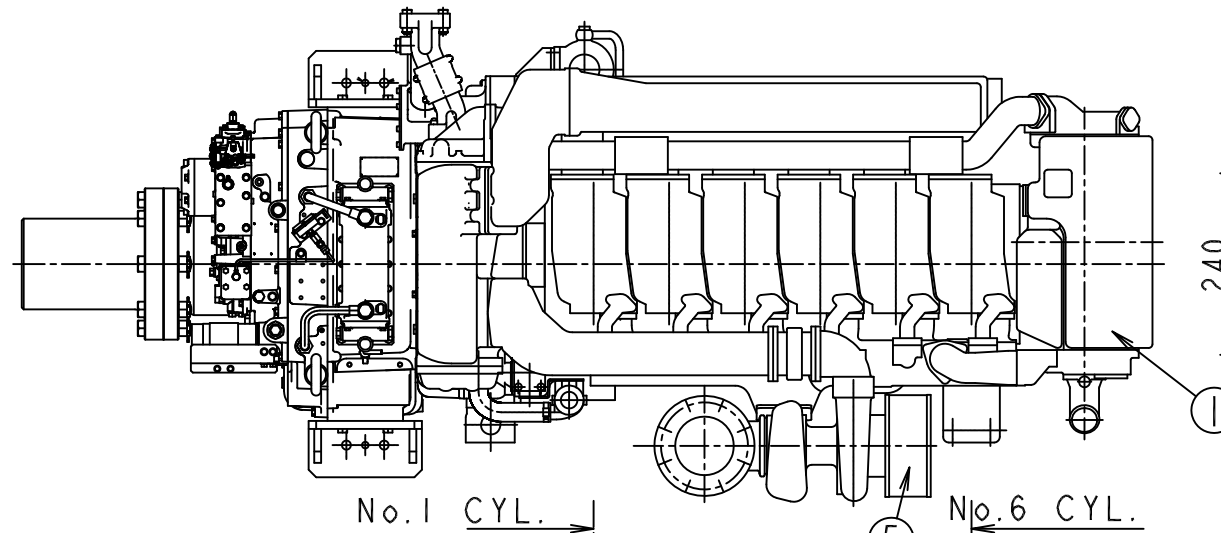
No.	N A M E
1	FRESH WATER TANK
2	STARTING MOTOR
3	FUEL OIL FILTER
4	LUB. OIL FILTER
5	AIR FILTER FOR TURBO.



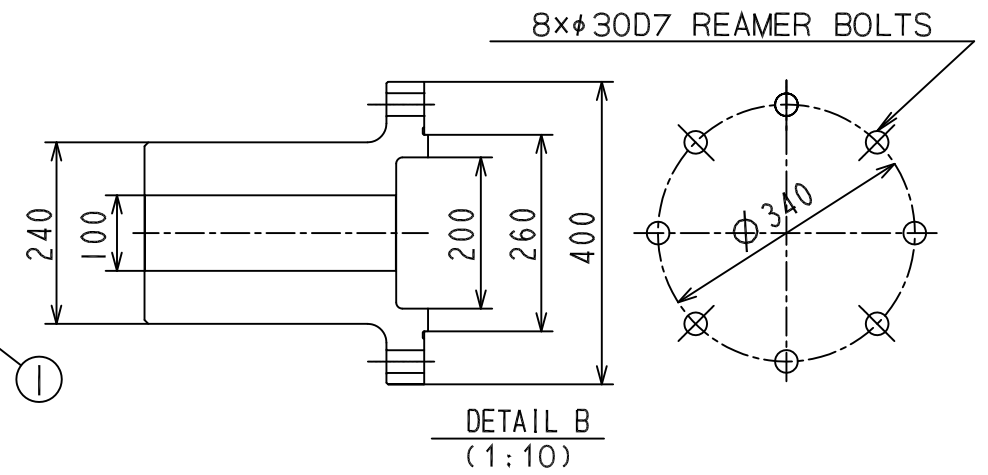
SECTION A



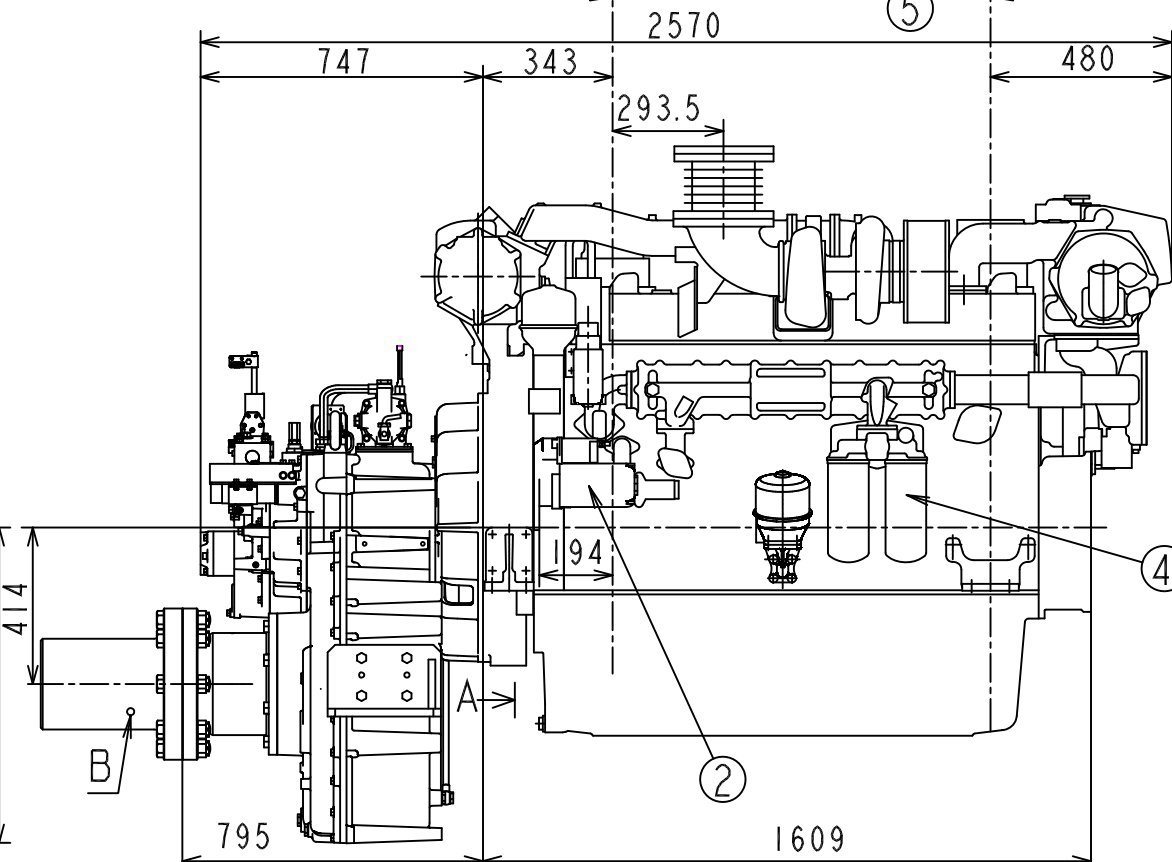
PROPELLER SHAFT CENTER



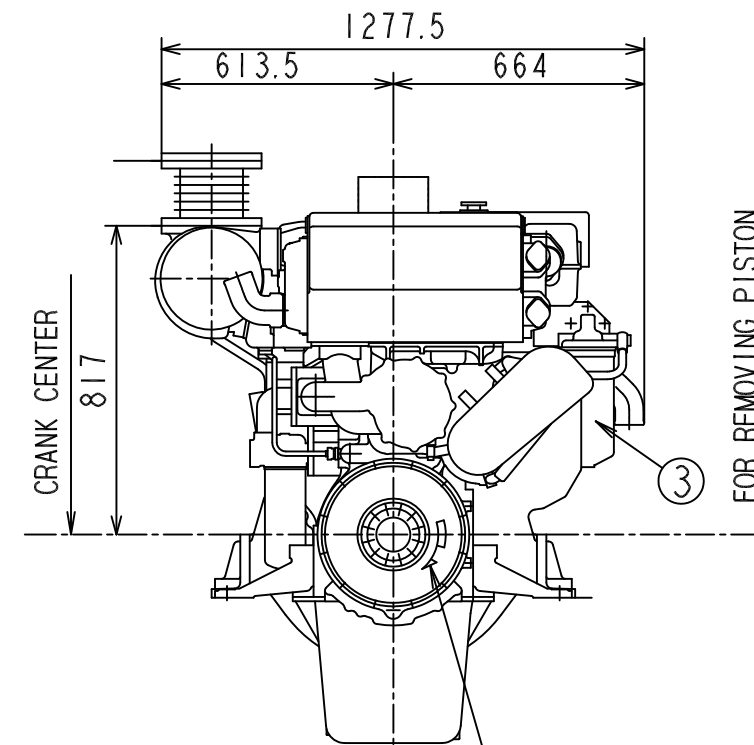
No. 1 CYL. No. 6 CYL.



DETAIL B (1:10)



VIEW FROM UPPER

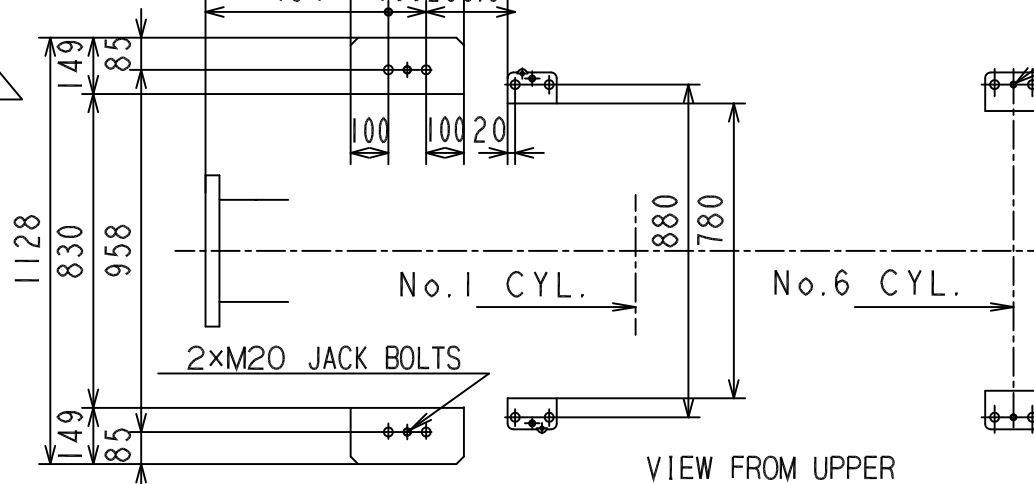


FOR REMOVING PISTON

ROTATION OF CRANK SHAFT

4xM16 JACK BOLTS

12x24 HOLES



2xM20 JACK BOLTS

No. 1 CYL. No. 6 CYL.

ENG. MODEL	CLUTCH MODEL
6AYM-WST	YXH-240L
TOTAL MASS(abt.)	3703kg

SCALE  
1:20(1:15)

NAME  
OUTLINE

MODEL  
6AYM-WSTxYXH-240L

DATE  
18-10-2010

ORIGINAL DRAWING NUMBER  
B3-48660-4510