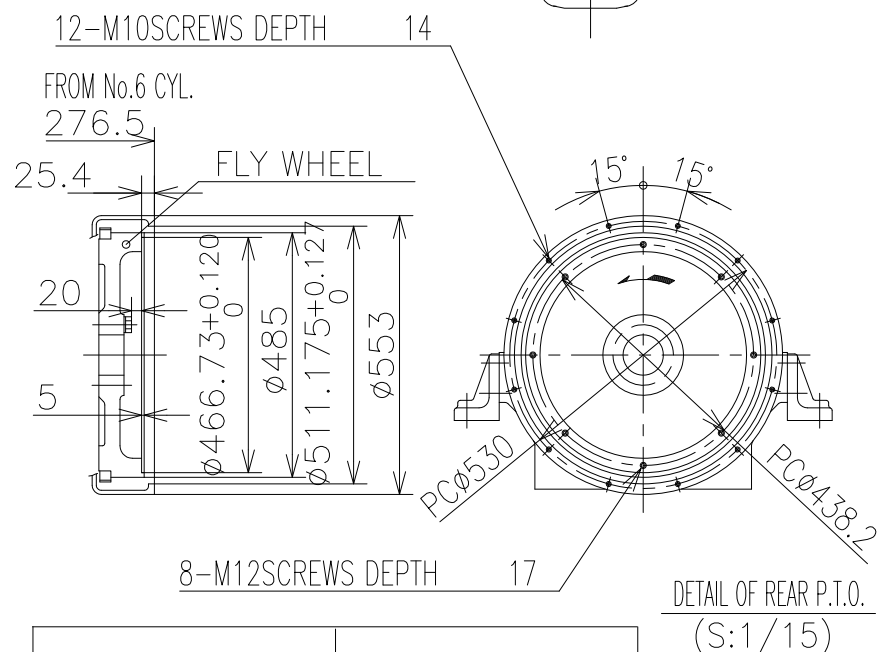
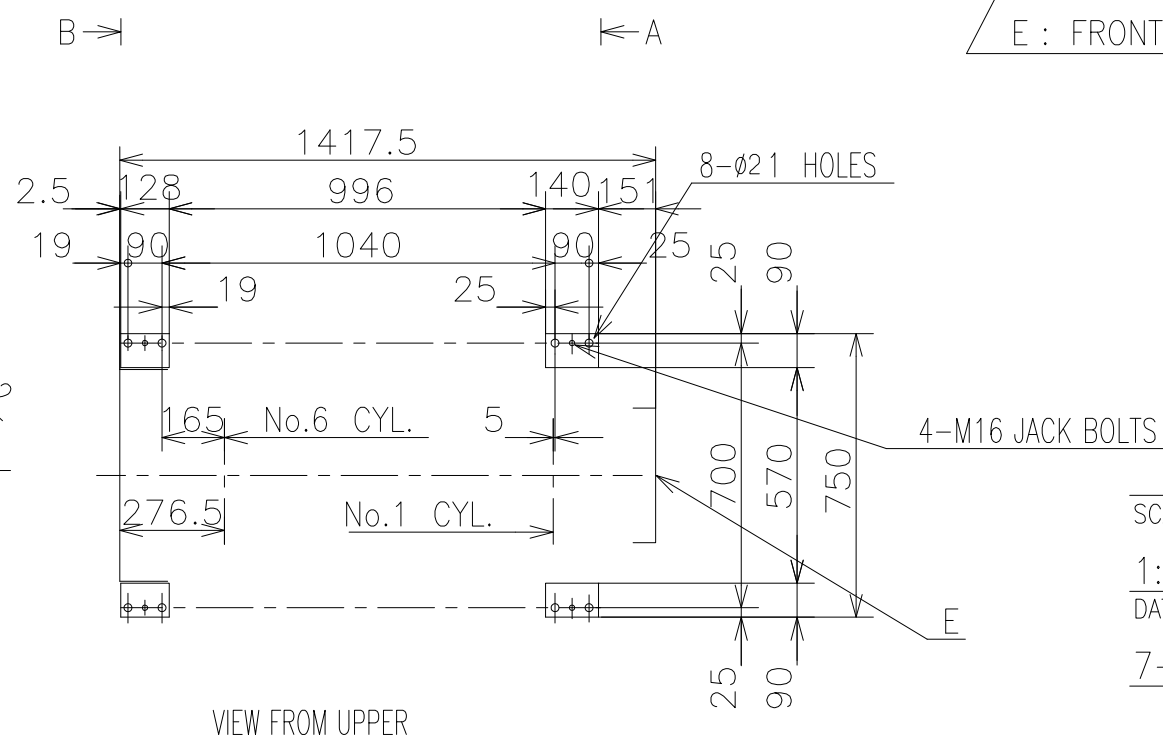
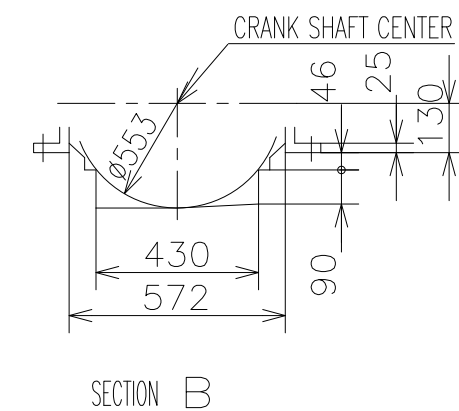
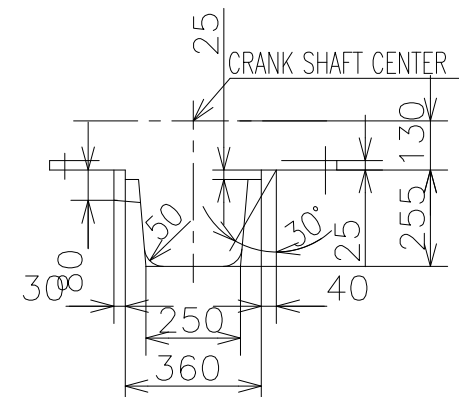
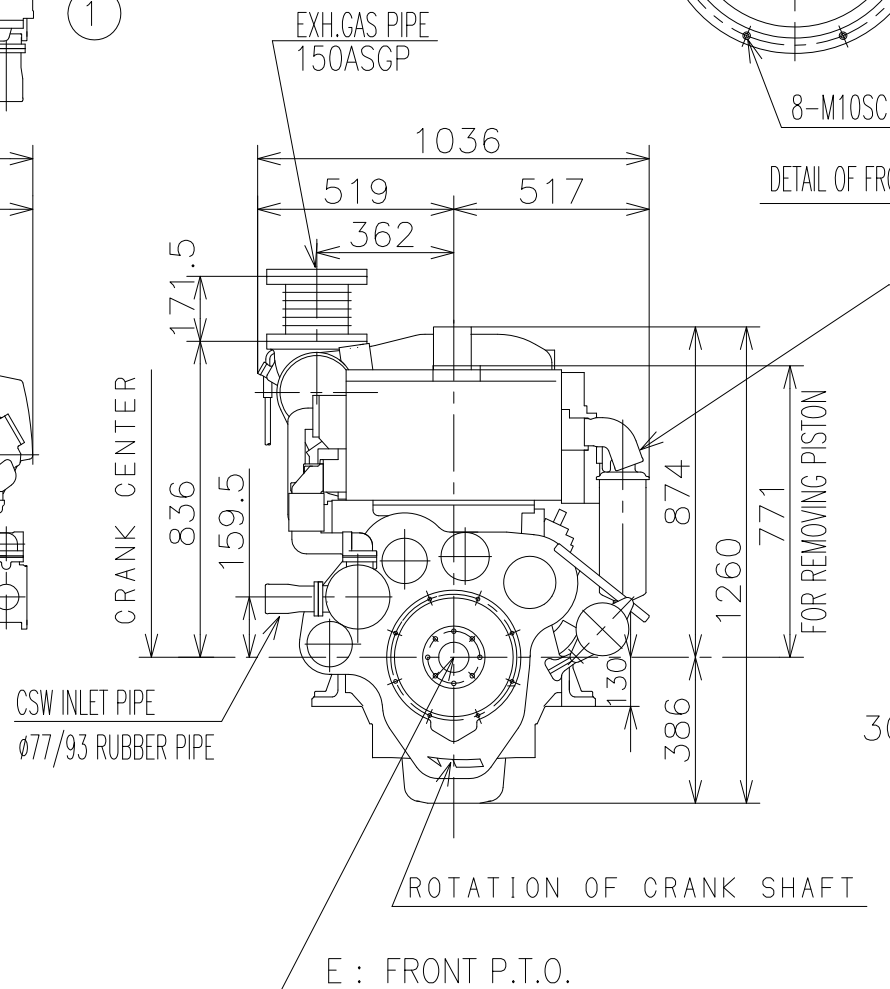
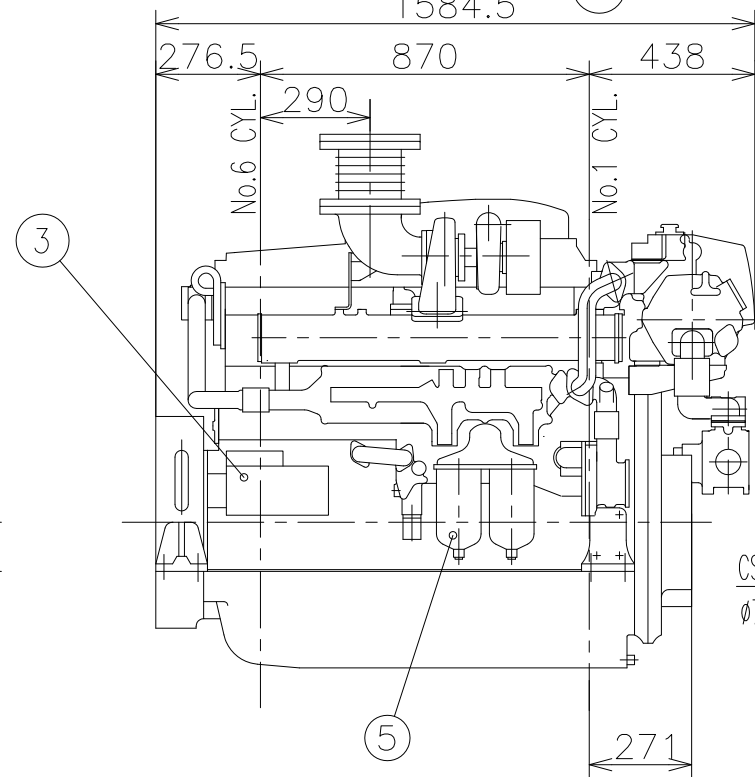
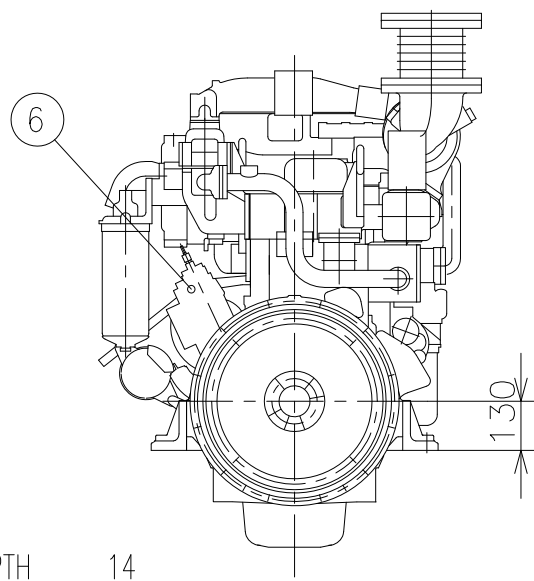
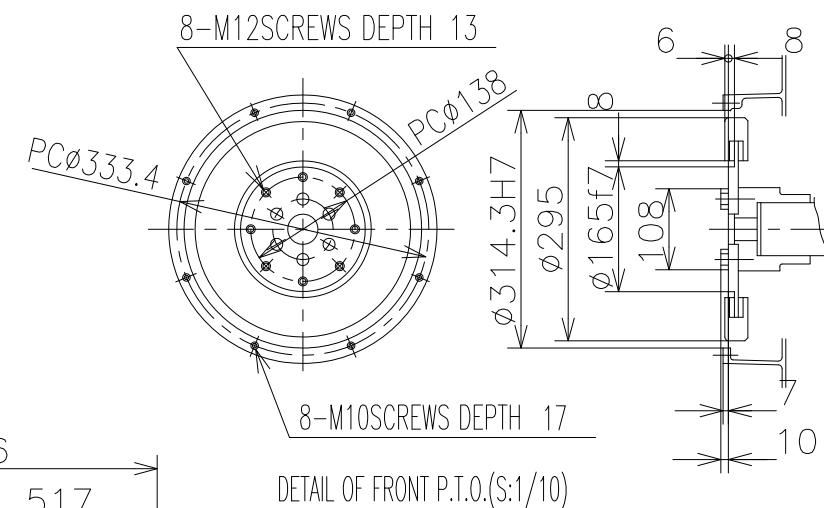
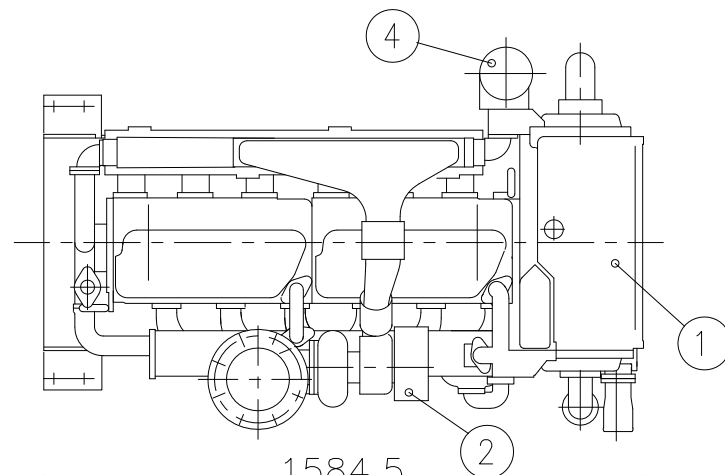


No.	NAME
①	FRESH WATER TANK
②	AIR FILTER FOR TURBO.
③	STARTING MOTOR
④	FUEL OIL FILTER
⑤	LUB OIL FILTER
⑥	F. O. INJ. PUMP & GOVERNOR



ENG. MODEL	CLUTCH MODEL
6HA2M-DTE 6HA2M-WDT	—
TOTAL MASS(abt.)	1350kg

SCALE	NAME	MODEL
1:20(1:10,1:15)	OUTLINE	6HA2M-DTE,6HA2M-WDT
DATE	ORIGINAL DRAWING NUMBER	REVISION
7-23-1999	B3-26672-0030	0