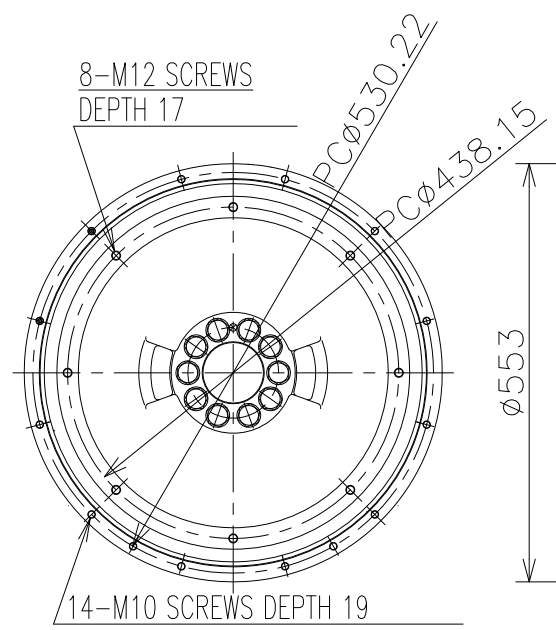
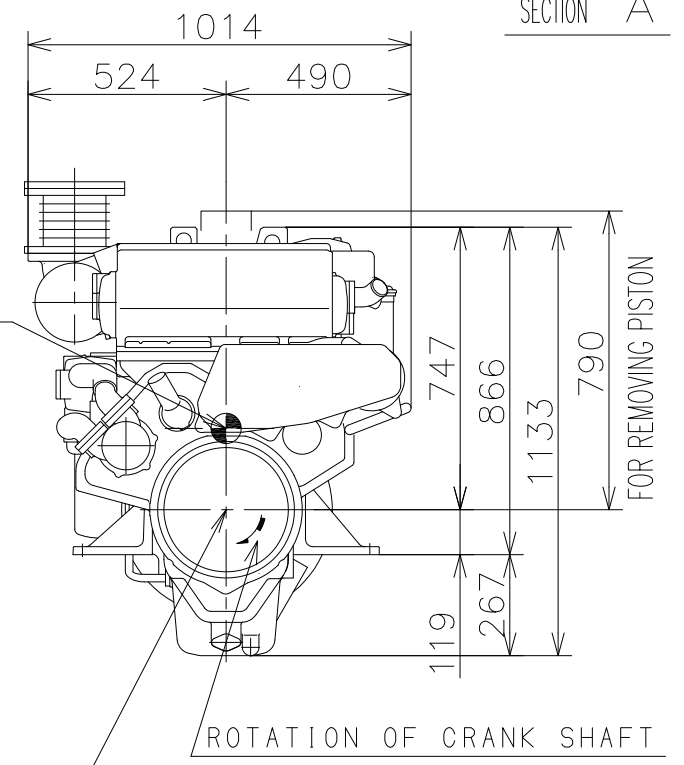
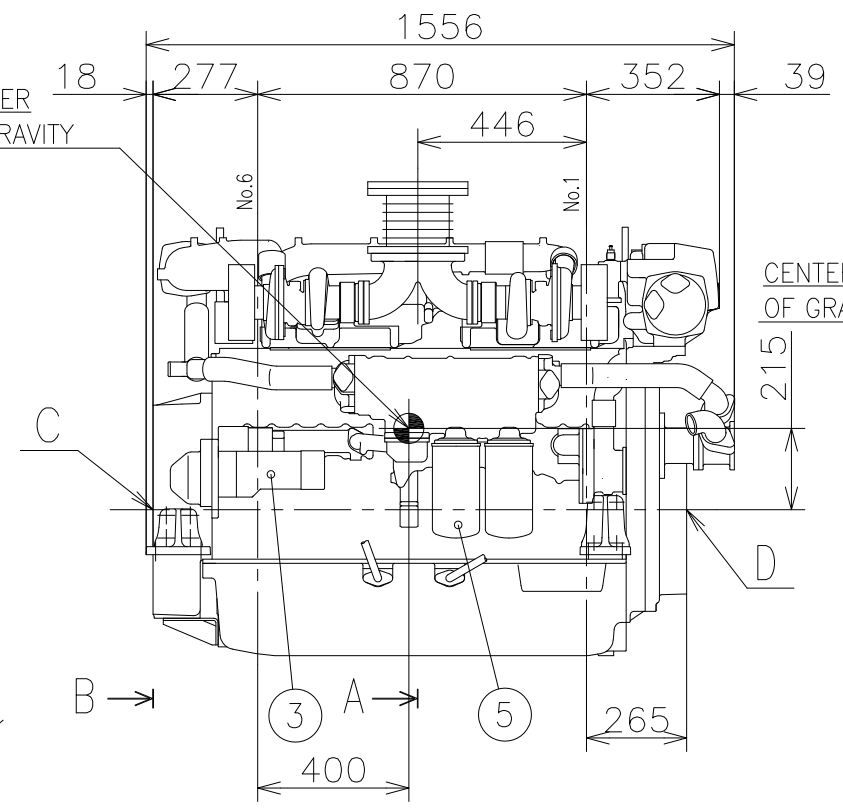
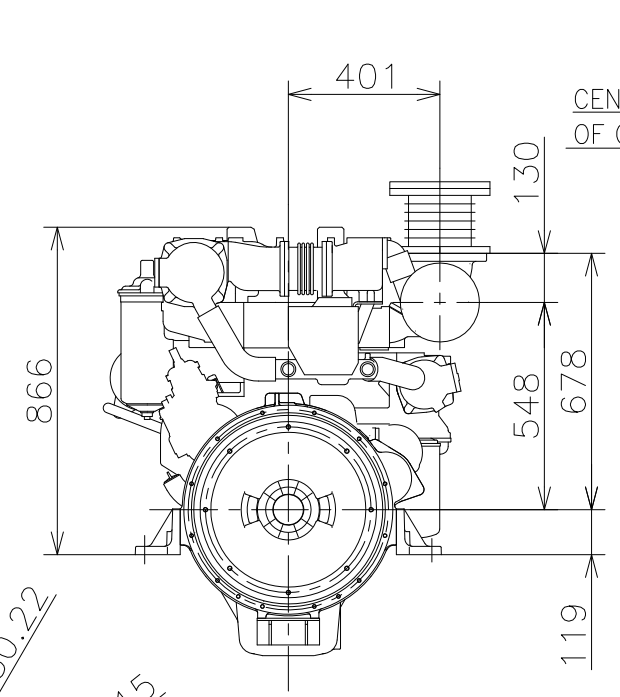
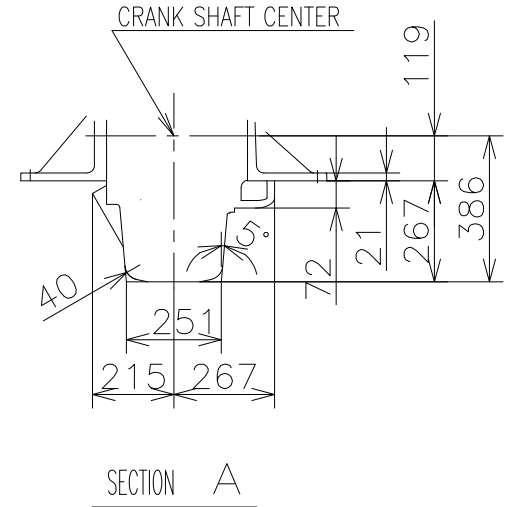
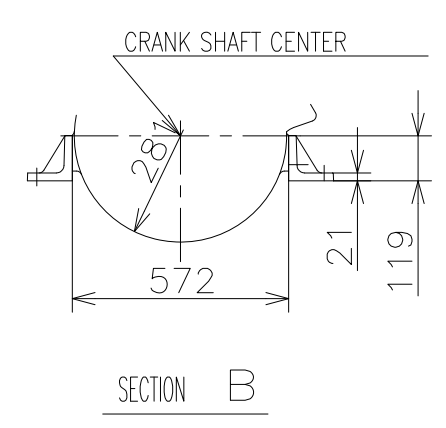
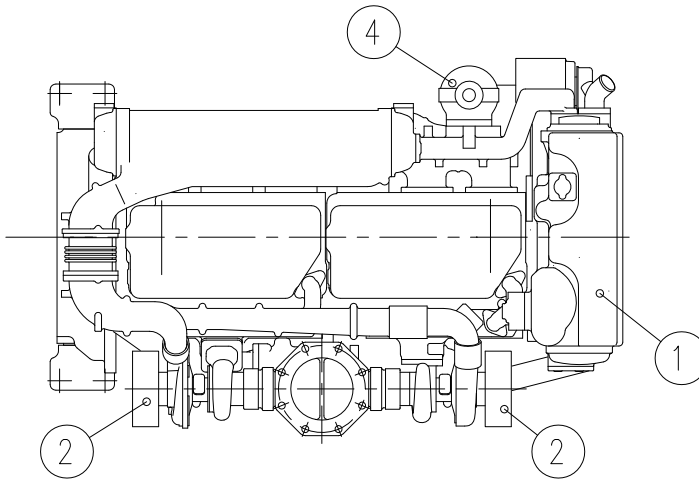
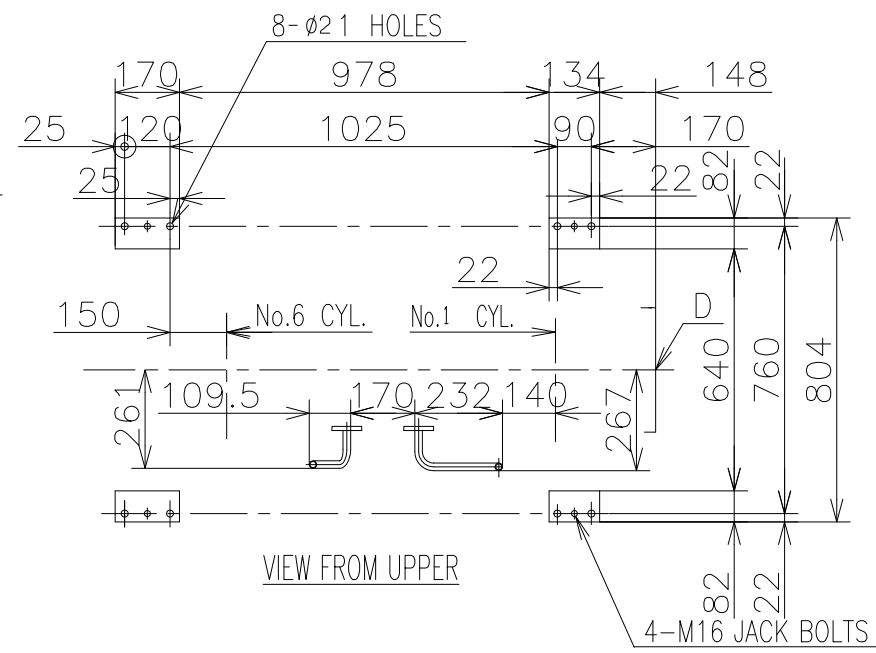


No.	NAME
①	FRESH WATER TANK
②	AIR FILTER FOR TURBO.
③	STARTING MOTOR
④	FUEL OIL FILTER
⑤	LUB OIL FILTER



DETAIL OF "C"  
FLYWHEEL HOUSING & FLYWHEEL  
(SAE #1 & F.W. 355(#14))  
(S=1:10)



D : FRONT P.T.O. (SAE #4)  
(DETAIL OF FRONT P.T.O. : SEE ANOTHER DRAWING)

ENG. MODEL	CLUTCH MODEL
6HYM-(W)ETE 6HYM-(W)ETF	—
TOTAL MASS (abt.)	1385kg

SCALE	NAME	MODEL
1:20(1:10)	OUTLINE	6HYM-(W)ETE,F-(W)ET
DATE	ORIGINAL DRAWING NUMBER	REVISION
9-30-2014	B3-26677-0260	0

