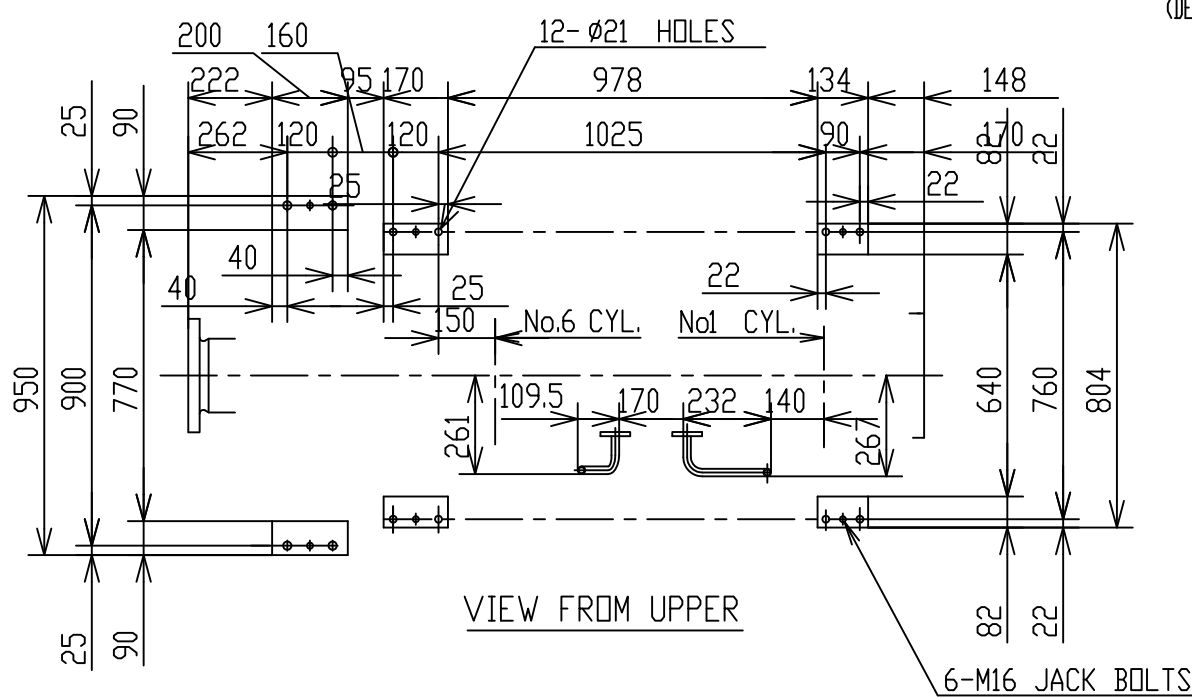
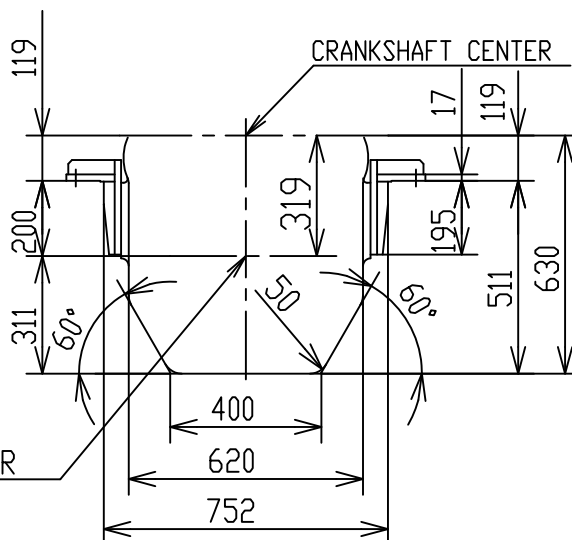
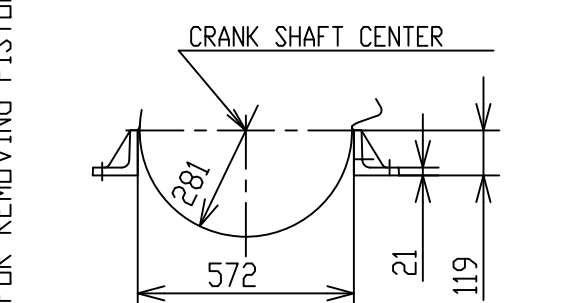
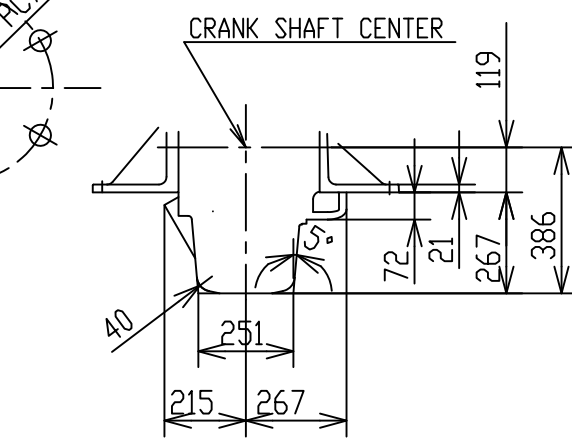
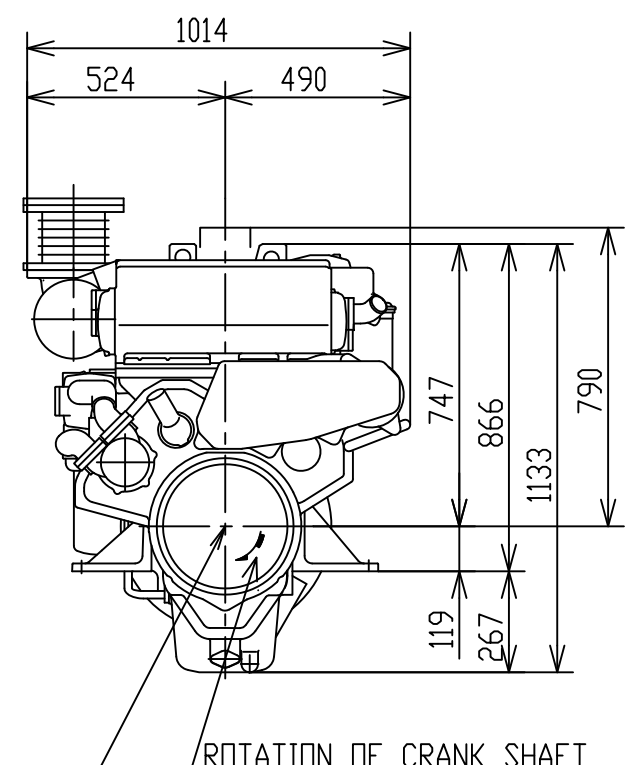
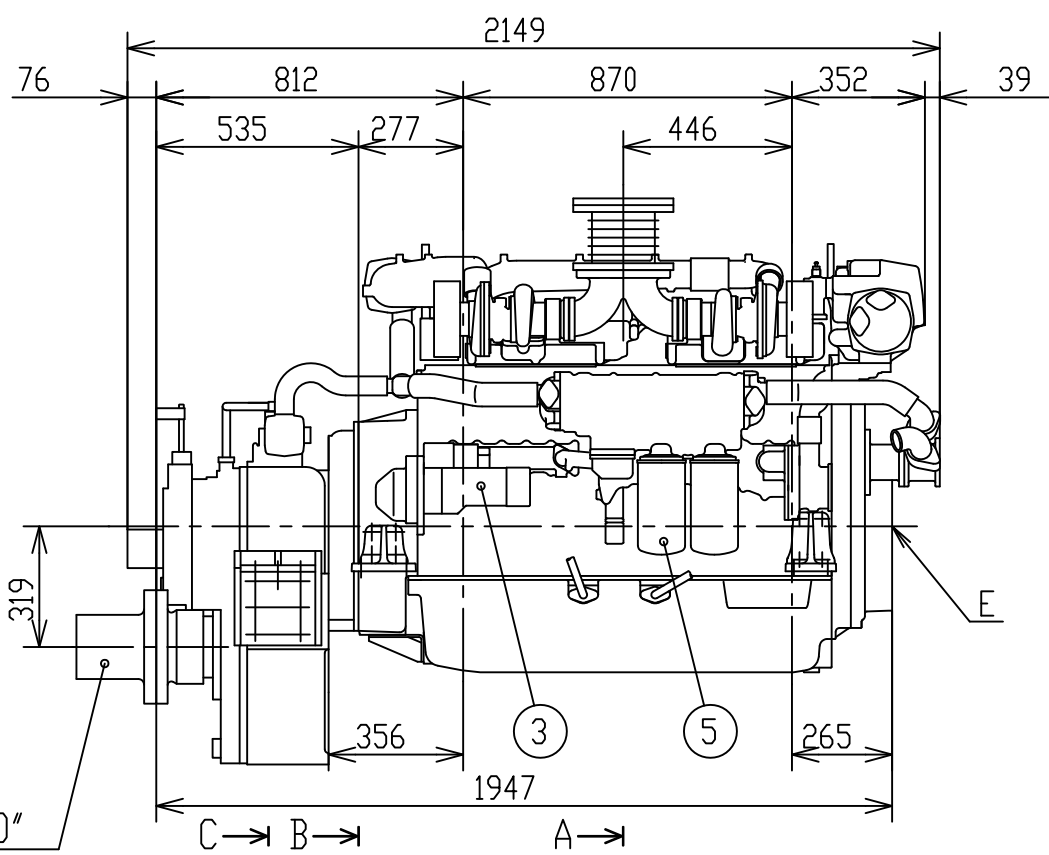
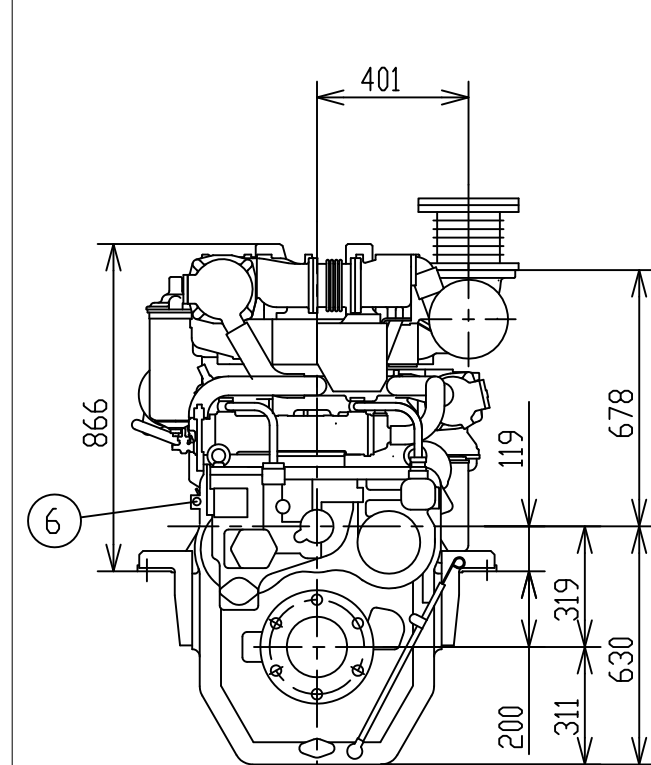
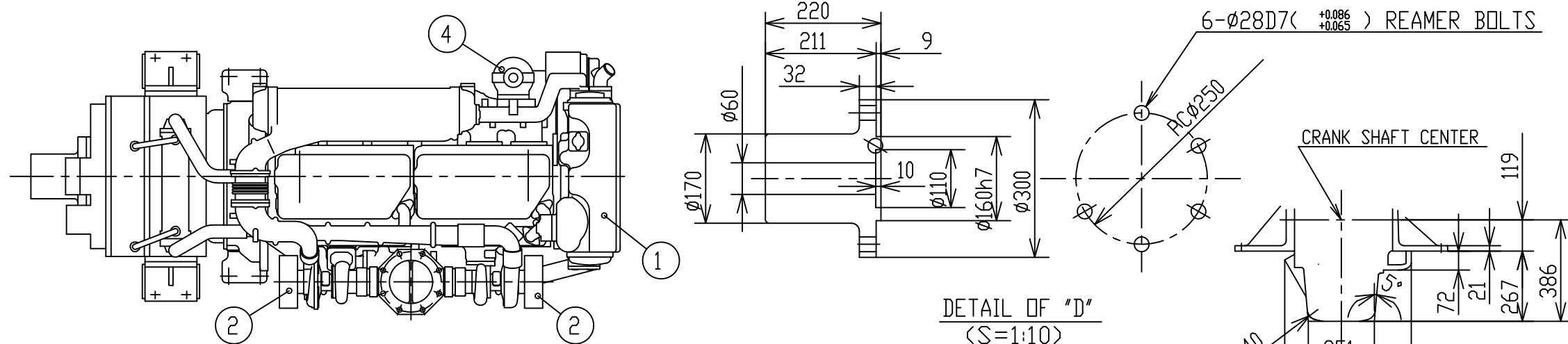


No.	NAME
①	FRESH WATER TANK
②	AIR FILTER FOR TURBO.
③	STARTING MOTOR
④	FUEL OIL FILTER
⑤	LUB OIL FILTER
⑥	CLUTCH SWITCHING LEVER



ENG. MODEL	CLUTCH MODEL
6HYM-ETE 6HYM-WET 6HYF-WET	YX-161L-4
TOTAL MASS(abt.)	2005kg

E : FRONT P.T.D.
(DETAIL OF FRONT P.T.D. : SEE ANOTHER DRAWING)

SCALE	NAME	MODEL
1:20(1:10)	OUTLINE	6HYM, 6HYF SERIES
DATE	ORIGINAL DRAWING NUMBER	
30-10-2013	B3-26677-1010	

YANMAR
Copyright(C) YANMAR CO.,LTD. All right reserved.