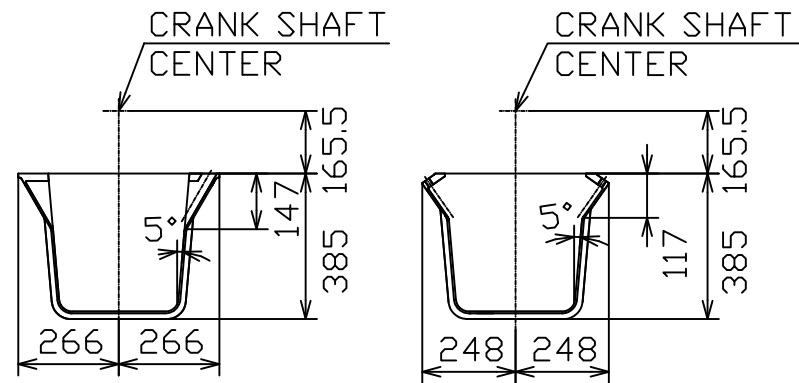
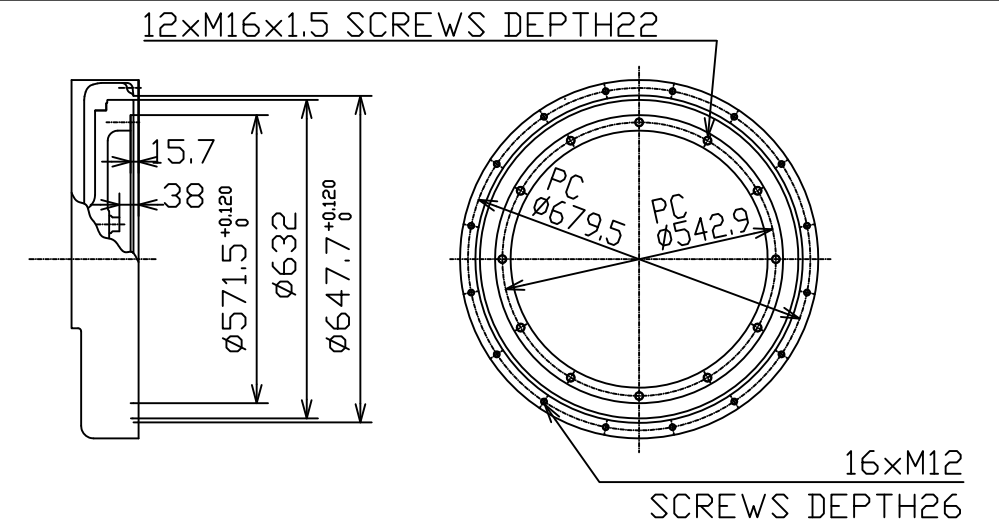
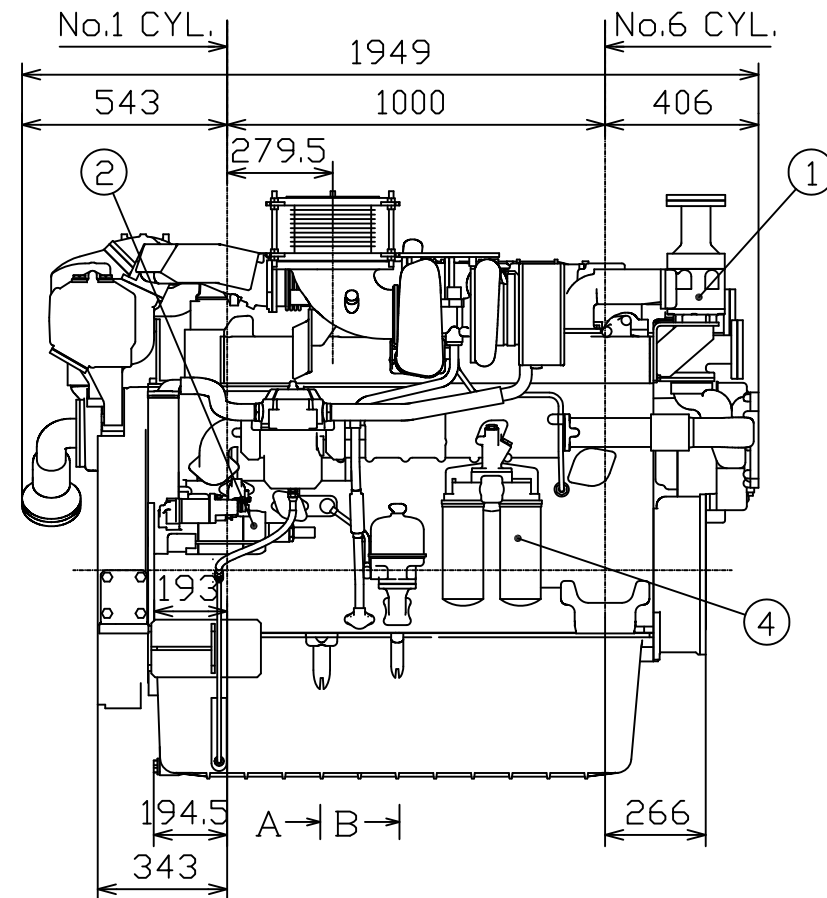
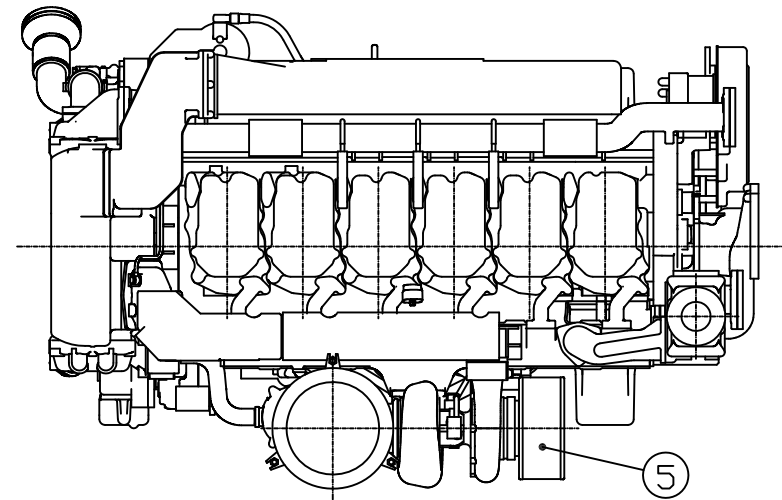
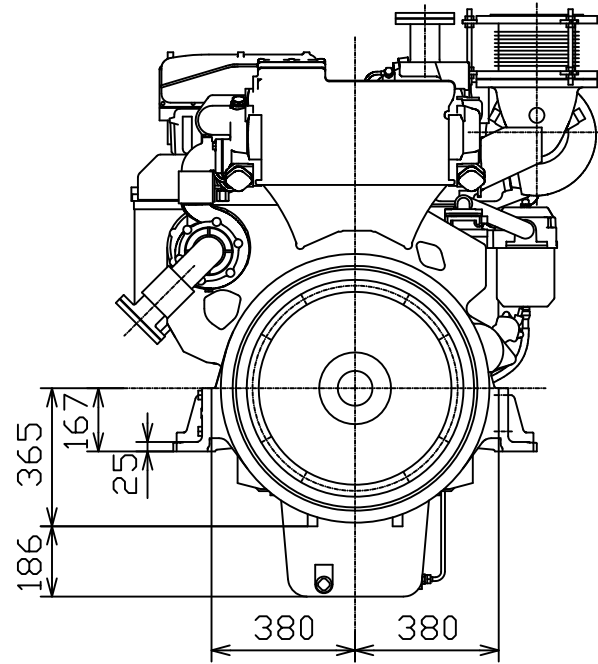


No.	NAME
1	COOLING WATER THERMOSTAT
2	STARTING MOTOR
3	FUEL OIL FILTER
4	LUB. OIL FILTER
5	AIR FILTER FOR TURBO.

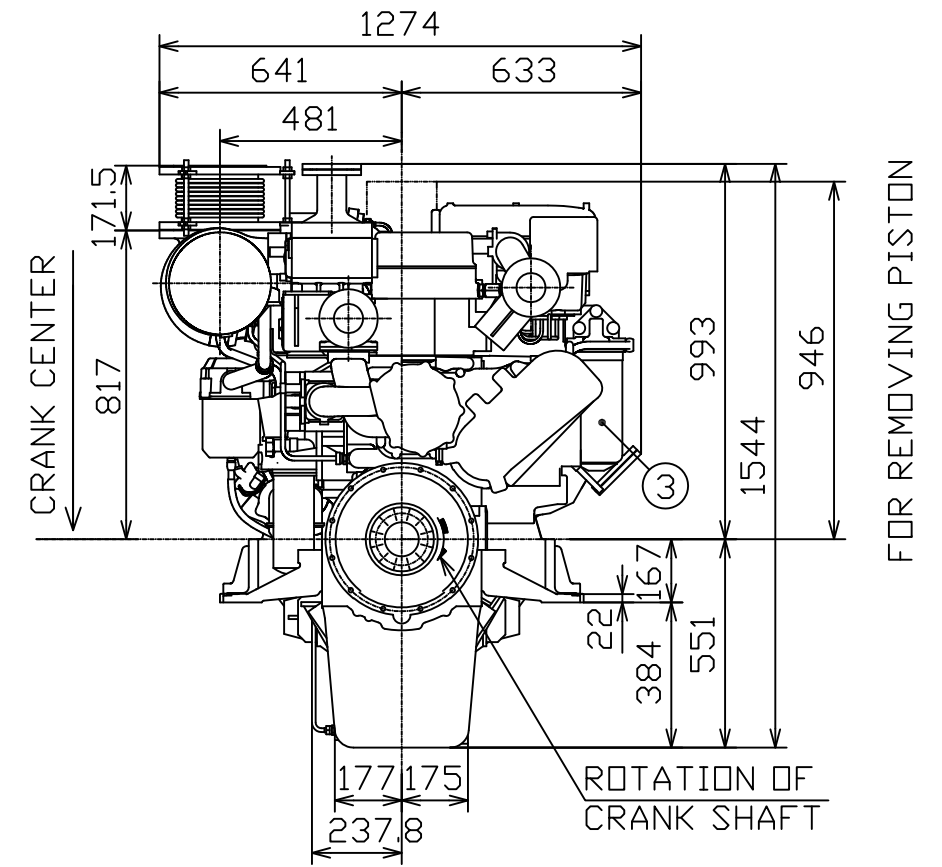


SECTION A

SECTION B



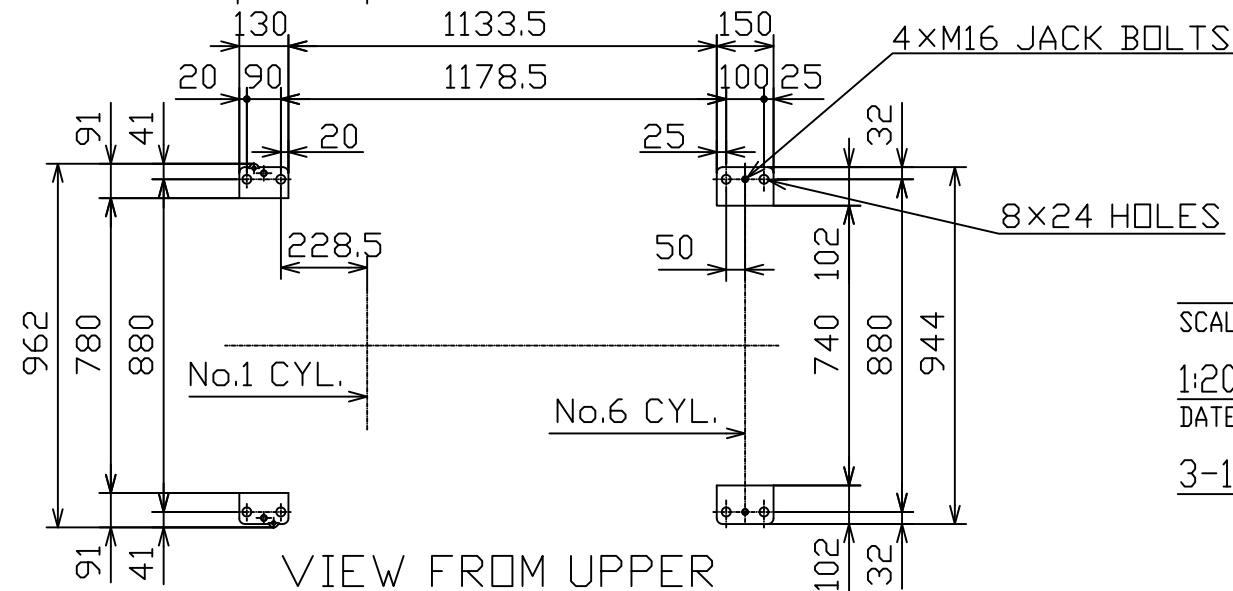
FLY-WHEEL & FLY-WHEEL HOUSING (SAE#0 & F.W.#18) (SCALE 1:15)



FOR REMOVING PISTON

ROTATION OF CRANK SHAFT

ENG.MODEL	CLUTCH MODEL
6AYAM-ET	—
TOTAL MASS(abt.) 2295kg	



SCALE	NAME	MODEL
1:20(1:15)	OUTLINE	6AYAM-ET
DATE	ORIGINAL DRAWING NUMBER	REVISION
3-14-2014	B3-48693-6110	0