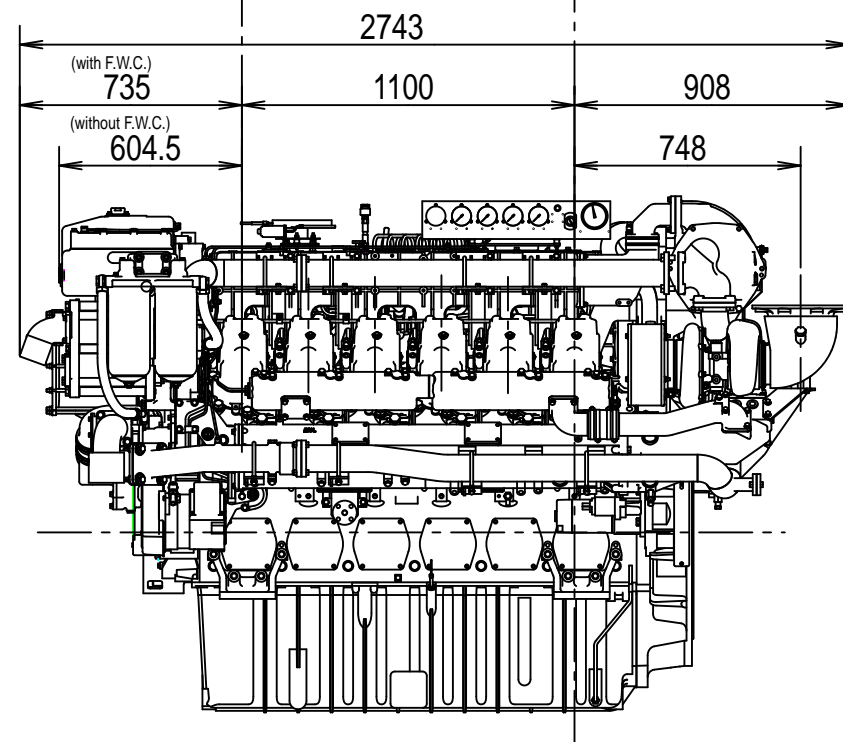
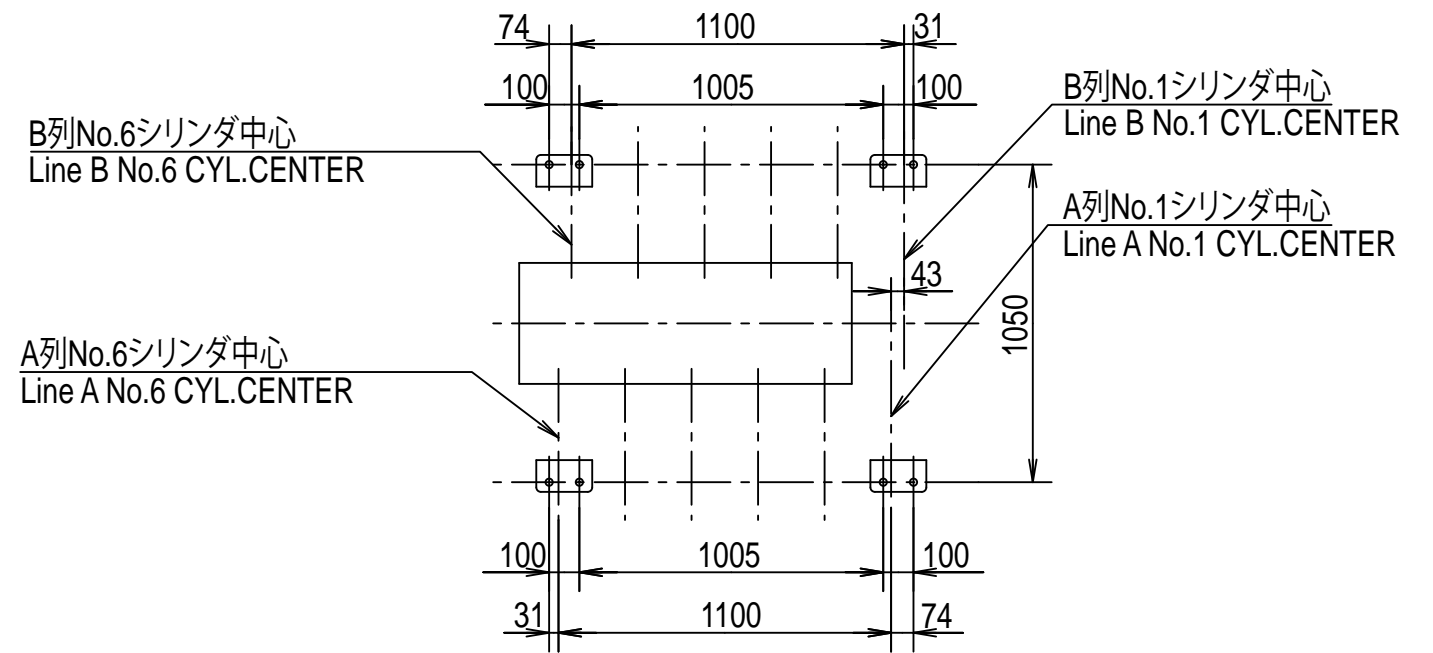


A列No.6シリンダ中心
Line A No.6 CYL.CENTER

A列No.1シリンダ中心
Line A No.1 CYL.CENTER



2743
(with F.W.C.) 735 1100 908
(without F.W.C.) 604.5 748



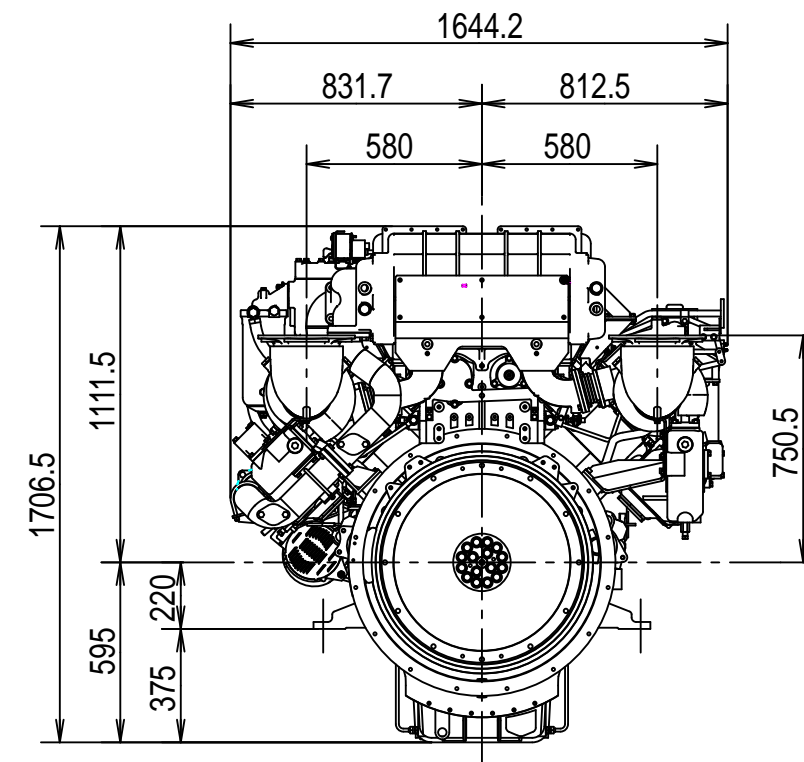
B列No.6シリンダ中心
Line B No.6 CYL.CENTER

B列No.1シリンダ中心
Line B No.1 CYL.CENTER

A列No.6シリンダ中心
Line A No.6 CYL.CENTER

A列No.1シリンダ中心
Line A No.1 CYL.CENTER

据付寸法図(上面より見る)
DETAIL OF INSTALLATION (VIEW FROM UPPER SIDE)



1644.2
831.7 812.5
580 580
1706.5 1111.5 750.5
595 220 375

SCALE	NAME	MODEL
SCALE OUT	OUTLINE	12AY series
DATE	ORIGINAL DRAWING NUMBER	REVISION
8-4-2011	B2-48999-0011	0

YANMAR

Copyright(C) YANMAR CO.,LTD. All right reserved.