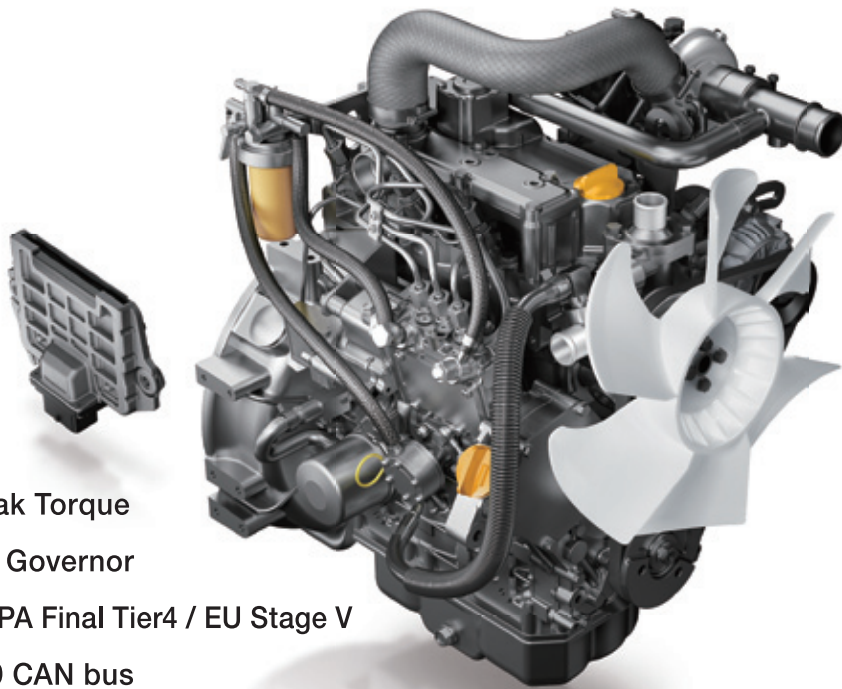




# 3TNV80FT

Rated Output (Gross) 18.4kW



- Higher Peak Torque
- Electronic Governor
- Certified EPA Final Tier4 / EU Stage V
- SAE J1939 CAN bus

# 18.4kW

EPA  
Final  
Tier 4EU  
Stage V

## SPECIFICATION

Engine Model	<b>3TNV80FT</b>	
Type	Vertical cylinder, 4-cycle water-cooled diesel engine	
Emission Compliance	EPA Final Tier4 / EU Stage V	
Fuel Injection	Indirect injection (IDI)	
Aspiration	Turbocharged (T/C)	
Fuel Injection System	Mechanical with electronic governor	
No. of Cylinders	3	
Bore × Stroke	mm	80 × 84
Displacement	L	1.266
Rated Output (Gross)	kW/min <sup>-1</sup>	18.4 / 2,600
	hp/min <sup>-1</sup>	24.7 / 2,600
Max.Torque (Gross)	N·m/min <sup>-1</sup>	85.0 / 1,800
Overall Length × Width × Height	mm	545 × 450 × 652
Weight (Dry)	kg	121

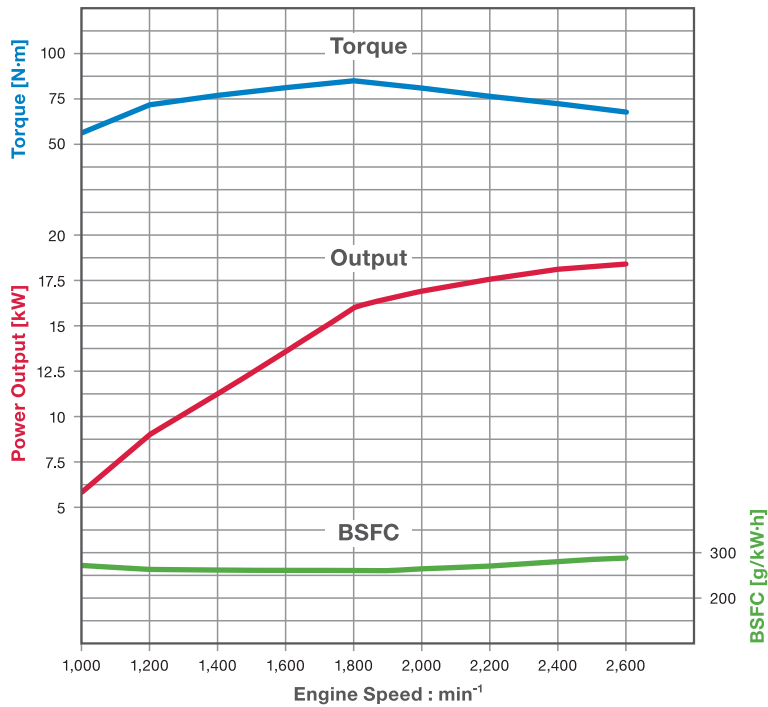
# 3TNV80FT

Rated Output (Gross)

18.4kW [24.7hp] / 2,600min<sup>-1</sup>

## PERFORMANCE CURVES

3TNV80FT 18.4kW at 2,600min<sup>-1</sup>



## FEATURES

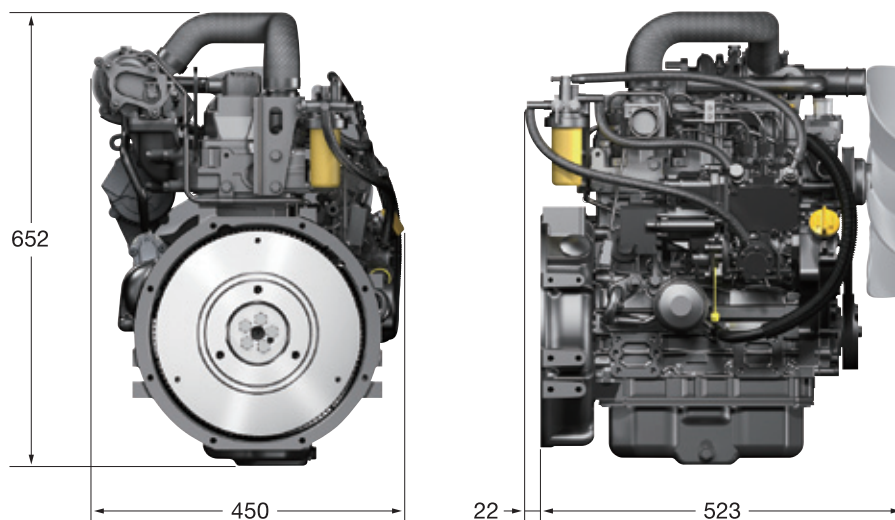
- Compact Durable Power
- Clean Emission
- Low Fuel Consumption
- Low Noise & Low Vibration
- High Altitude Performance Control
- Electronic Governor Control

## OPTION

- Large Capacity Oil Pan



## DIMENSIONS



Unit : mm

**YANMAR POWER TECHNOLOGY CO., LTD.**

YANMAR FLYING-Y BUILDING, 1-32, Chayamachi, Kita-ku, Osaka 530-0013, Japan  
Tel : +81-6-6376-6411 [yanmar.com](http://yanmar.com)

Note : All data is subject to change without notice.