

Maintenance Check List

Action	Topic	Time (hr)																									
		Daily	50	100	150	200	250	300	350	400	450	500	550	600	650	700	750	800	850	900	950	1000	2000	2 years			
Every day	Check	1 Radiator cooling screen	✓																								
		2 Coolant level	✓																								
		3 Wheel bolt tightening torque	✓																								
		4 Tire air pressure	✓																								
		5 Radiator hose & clamp	✓																								
		6 Fuel hose	✓																								
		7 Engine oil level	✓																								
		8 Transmission hydraulic oil level	✓																								
		9 Clutch	✓																								
		10 Brake	✓																								
Every 50 hrs.	Grease	11 Front axle pivot		✓	✓	✓	✓	✓	✓	✓	✓	✓	✓	✓	✓	✓	✓	✓	✓	✓	✓	✓	✓	✓	✓		
		12 Tie rod end		✓	✓	✓	✓	✓	✓	✓	✓	✓	✓	✓	✓	✓	✓	✓	✓	✓	✓	✓	✓	✓	✓	✓	
		13 Brake and parking brake linkage		✓	✓	✓	✓	✓	✓	✓	✓	✓	✓	✓	✓	✓	✓	✓	✓	✓	✓	✓	✓	✓	✓	✓	✓
		14 3-point hitch		✓	✓	✓	✓	✓	✓	✓	✓	✓	✓	✓	✓	✓	✓	✓	✓	✓	✓	✓	✓	✓	✓	✓	✓
	Check	15 Front axle gear oil level		✓	✓	✓	✓	✓	✓	✓	✓	✓	✓	✓	✓	✓	✓	✓	✓	✓	✓	✓	✓	✓	✓	✓	
Every 100 hrs.	Drain	16 Fuel / Water separator		✓	✓	✓	✓	✓	✓	✓	✓	✓	✓	✓	✓	✓	✓	✓	✓	✓	✓	✓	✓	✓	✓	✓	
	Adjust	17 Alternator / Fan belt		✓	✓	✓	✓	✓	✓	✓	✓	✓	✓	✓	✓	✓	✓	✓	✓	✓	✓	✓	✓	✓	✓	✓	
	Clean	16 Fuel / Water separator		✓	✓	✓	✓	✓	✓	✓	✓	✓	✓	✓	✓	✓	✓	✓	✓	✓	✓	✓	✓	✓	✓	✓	
Every 200 hrs.	Clean	18 Air cleaner element		✓	✓	✓	✓	✓	✓	✓	✓	✓	✓	✓	✓	✓	✓	✓	✓	✓	✓	✓	✓	✓	✓	✓	
	Clean	19 Air intake hose & clamps		✓	✓	✓	✓	✓	✓	✓	✓	✓	✓	✓	✓	✓	✓	✓	✓	✓	✓	✓	✓	✓	✓	✓	
Every 250 hrs.	Replace	20 Engine oil [10W-30 / 15W-40]					✓	✓	✓	✓	✓	✓	✓	✓	✓	✓	✓	✓	✓	✓	✓	✓	✓	✓	✓		
		21 Engine oil filter					✓	✓	✓	✓	✓	✓	✓	✓	✓	✓	✓	✓	✓	✓	✓	✓	✓	✓	✓		
		22 Fuel filter					✓	✓	✓	✓	✓	✓	✓	✓	✓	✓	✓	✓	✓	✓	✓	✓	✓	✓	✓	✓	
Every 300 hrs.	Replace	23 Front axle gear oil [SAE#90]		✓	✓	✓	✓	✓	✓	✓	✓	✓	✓	✓	✓	✓	✓	✓	✓	✓	✓	✓	✓	✓	✓		
	Adjust	10 Brake																					✓	✓	✓		
Every 500 hrs.	Replace	12 Tie rod end (if necessary)																						✓	✓		
		24 Transmission hydraulic oil [TF500T]		✓	✓	✓	✓	✓	✓	✓	✓	✓	✓	✓	✓	✓	✓	✓	✓	✓	✓	✓	✓	✓	✓	✓	
Every 600 hrs.	Replace	25 Transmission hydraulic oil filter		✓	✓	✓	✓	✓	✓	✓	✓	✓	✓	✓	✓	✓	✓	✓	✓	✓	✓	✓	✓	✓	✓	✓	
		26 Cooling System																						✓	✓	✓	
Every 2000 hrs.	Replace	5 Fuel hose																						✓	✓		
		6 Radiator hose & clamps																						✓	✓		
		19 Air intake hose & clamps																						✓	✓		

*1: 2000hrs. or 2 years.

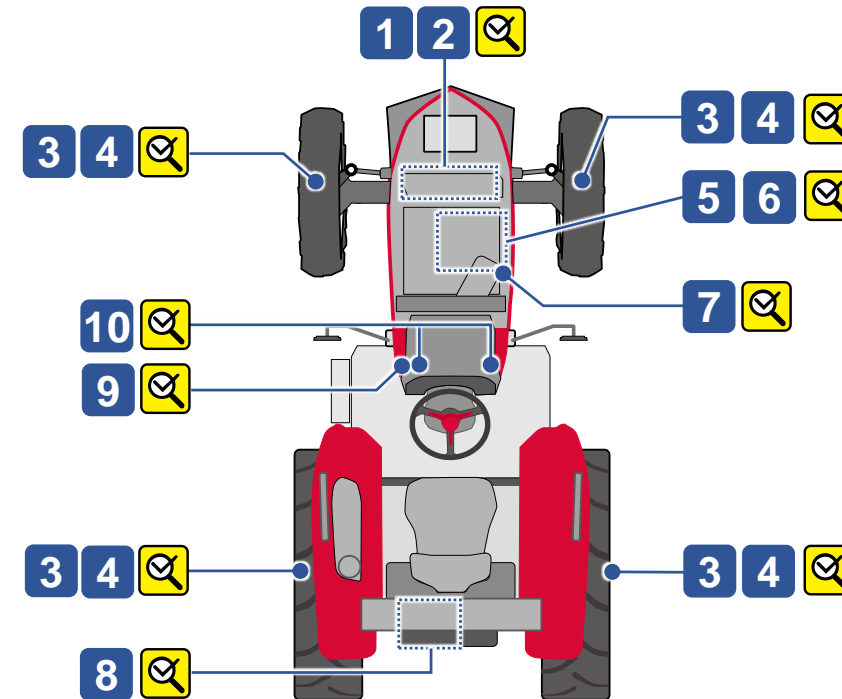
* Periodic maintenance must be continued after 2000hrs. or 2 years.



For further details, please read Operation Manual.

QUICK MAINTENANCE GUIDE

Diesel Tractor YM351A/YM357A



Check

YM3 Self Care Maintenance



Tap to watch the video Scan to watch

Appropriate self care maintenance supports your machine life and maximize the work performance for long time.

Every Day

1 Radiator cooling screen

2 Coolant level

3 Wheel bolt tightening torque

4 Tire air pressure

5 Radiator hose & clamps

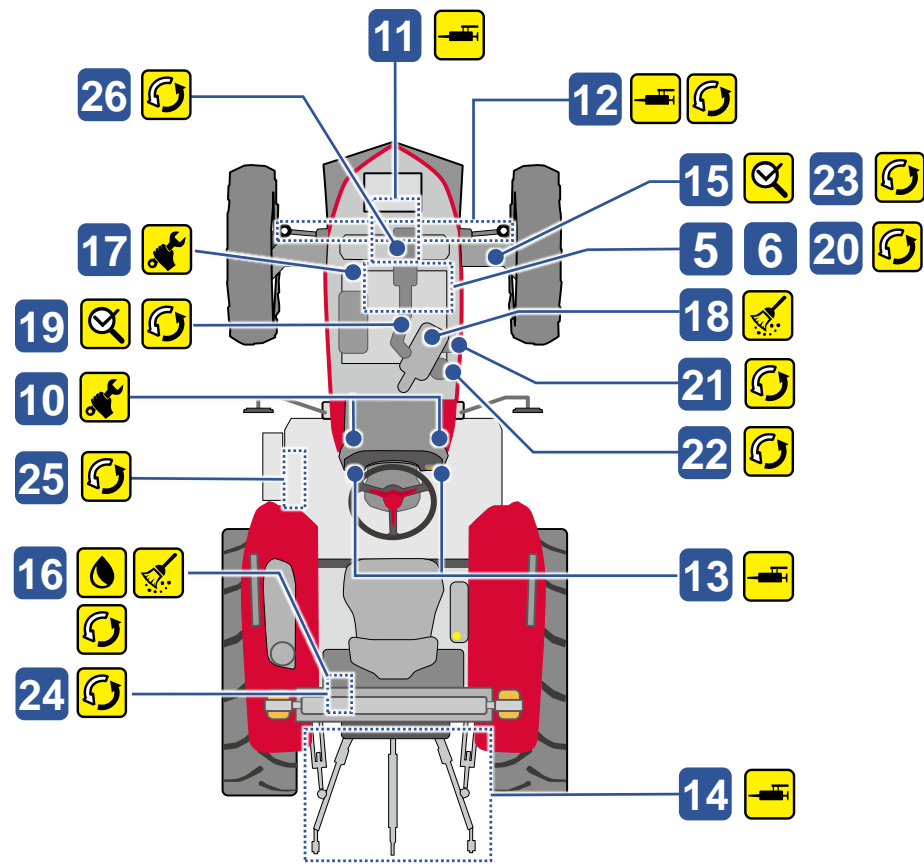
6 Fuel hose

7 Engine oil level

8 Transmission hydraulic oil level

9 Clutch

10 Brake



Check	Grease	Drain
Adjust	Clean	Replace

NOTE
Parts numbers are included for reference. Refer to the latest parts catalog when ordering parts.

Every 50 hrs.

<p>11 Front axle pivot</p>	<p>12 Tie rod end</p>	<p>13 Brake and parking brake linkage</p>	<p>14 3-point hitch</p>
<p>15 Front axle gear oil level</p> <p>(A) Upper mark (B) Lower mark</p>	<p>16 Fuel / Water separator</p>	<p>17 Alternator / Fan belt</p> <p>10 - 15 mm</p>	

First 50 hrs.

<p>19 Air intake hose & clamps</p>	<p>23 Front axle gear oil [SAE#90]</p> <p>8.8 L</p>	<p>24 Transmission hydraulic oil [TF500T]</p> <p>32 L</p>	<p>25 Transmission hydraulic oil filter : 1A7640-48310</p>
--	---	---	--

Every 100 hrs.

<p>16 Fuel / Water separator</p>	<p>18 Air cleaner element</p>
--	---------------------------------------

Every 200 hrs.

19 Air intake hose & clamps

Every 250 hrs.

<p>16 Separator filter: 129630-55731</p>	<p>21 Engine oil filter : 119005-35170</p>
<p>20 Engine oil [10W - 30 /15W - 40]</p> <p>YM351A: 5.3 L YM357A: 9.2 L</p>	<p>22 Fuel filter : 129907-55810</p>

Every 300 hrs.

23 Front axle gear oil [SAE#90]

8.8 L

Every 500 hrs.

<p>10 Brake</p> <p>30 - 40mm</p>	<p>12 Tie rod end</p>
--	-------------------------------

Every 600 hrs.

<p>24 Transmission hydraulic oil [TF500T]</p> <p>32 L</p>	<p>25 Transmission hydraulic oil filter : 1A7640-48310</p>
---	--

Every 2000 hrs. or 2 years

26 Cooling System

YM351A: 6.0 L
YM357A: 7.8 L

Every 2 years

<p>5 Radiator hose & clamps</p>	<p>6 Fuel hose</p>	<p>19 Air intake hose & clamps</p>
---	----------------------------	--