

**YTW Series**  
Welding Current 70~350A



SPECIFICATIONS

Model		YTW200	YTW250	YTW300	YTW350	
A.C. GENERATOR	Rated current	A	180	230	280	320
	Welding current	A	70 - 200	70 - 250	70-300	70-350
	Rated voltage	V	29	32	34	36
	No load voltage	V	70	75	80	85
	Rate of use	%	60			
	Frequency	Hz	220 - 240	220 - 240	225	225
	Rated speed	min <sup>-1</sup> (rpm)	4400 - 4800		4500	
	Welding rod	mm	2.6 - 4.0	2.6 - 5.0	2.6-6.0	
	Auxiliary power (220V)	kW	1.0(220~240Hz)		1.5(225Hz)	2.0(225Hz)
	Capture cable size recommended(40-60m)	mm	30 - 38	30 - 50	38-60	
DIESEL ENGINE	Model		TF120(E)	TF160(E)	TS190R(S)	TS230R(E)
	Type		Horizontal,4-cycle			
	Bore x stroke	mm	92 x 96	102 x 105	110 x 106	112 x 115
	Continuous rating output	kW/min <sup>-1</sup> (rpm)	7.7 / 2400	10.3 / 2400	11.8 / 2200	14.0 / 2200
	Starting system		Manual (Electric)			
	Cooling system		Radiator cooling			
	Lubricating system		Forced lubrication with trochoid pump			
	Fuel consumption	lit/hour	2.22	2.22	3.10	3.68
	Fuel tank capacity	lit	11.0	11.0	13.7	21.5
	UNIT	Dimensions (L x W x H)	mm	1180 x 550 x 816	1320 x 600 x 880	1470 x 660 x 792
Dry Weight		kg	220	290	355	400

STANDARD ACCESSORIES

Engine	Starting handle	1set
	Tools for maintenance	1set
Switch board	Current regulator	1piece
	Output terminal	1piece
	Pilot lamp	1piece
	NFB(No fuse breaker)	1piece
	Terminal for auxiliary A.C	1piece

STANDARD SPARE PARTS

Model	YTW200	YTW250	YTW300	YTW350
Air cleaner element	1piece	1piece	-	-
Fuel filter element	1piece	1piece	1piece	1piece
Fan belt	1piece	1piece	1piece	1piece
Gasket for cylinder head	-	-	1piece	1piece
Compression ring (top,second,third)	-	-	1each	1each
Oil scraping ring	-	-	1piece	1piece
Needle valve & case	-	-	1set	1set

**YANMAR CO.,LTD.**

1-1, 2-choume, Yaesu, Chuo-ku, Tokyo, 104-8486, Japan  
Telephone: +81-3-3275-4914 Fax: +81-3-3278-1977  
yanmar.com

Distributed by

# Well done jobs powered by YANMAR YTW.

## Improved brushless A.C. Generator.

- Low maintenance.
- No wave interference.
- Stable arc.

## Design for harsh environment use.

- Safety and user friendly.
- Portability.
- Robust material and improved strong frame.

## Powered by "YANMAR TF/TS series".

### Long seller and well known Tough Fighter diesel engine.

- Easy maintenance.
- Proven durability.
- Low fuel consumption.
- Dust proof.



YTW200



YTW250



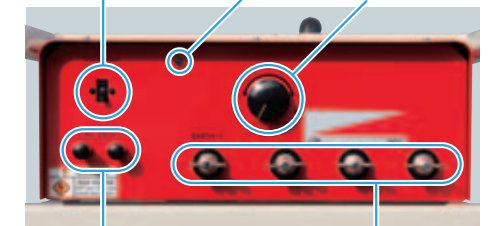
YTW350

## Control panel of YTW200, YTW250, YTW300



## Control panel of YTW350

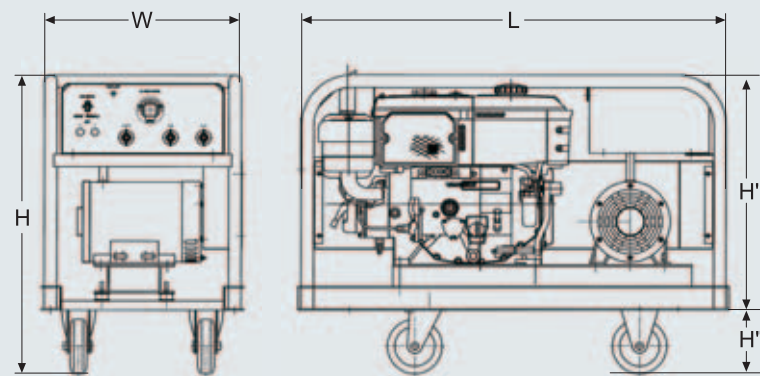
NFB (No fuse breaker) Pilot lamp  
Current regulator



Terminal for auxiliary A.C Output terminal

## DIESEL WELDERS YTW Series

### DIMENSIONS



Unit:mm (in.)

Model	L	W	H	H'	H''
YTW200	1180 (46.45)	550 (21.65)	816 (32.13)	640 (25.20)	176 (6.93)
YTW250	1320 (51.97)	600 (23.62)	880 (34.64)	715 (28.15)	165 (6.50)
YTW300	1470 (57.87)	660 (25.98)	992 (39.06)	775 (30.51)	217 (8.54)
YTW350	1570 (61.81)	660 (25.98)	1057 (41.61)	840 (33.07)	217 (8.54)

### PERFORMANCE CURVES

— L Tap (Min.) — L Tap (Max.) — M Tap (Max.) — H Tap (Max.)

