



YL4000M Control panel scope of supply

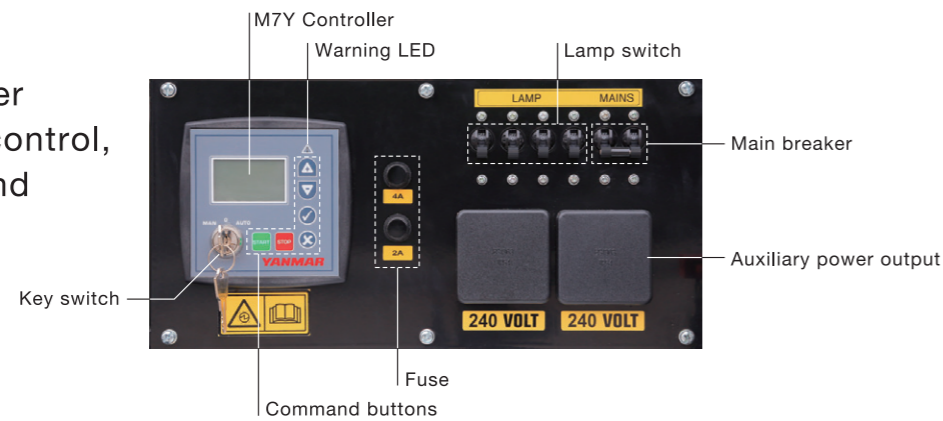
STANDARD FEATURES / M7Y

GENERATOR INDICATIONS		ALTERNATOR PROTECTIONS	
Voltage among phase and neutral	✓	High frequency	P
Amperage	✓	Low frequency	P
Frequency	✓	High voltage	P
Apparent power (kVA)	✓	Low voltage	P
Active power (kW)	✓	Short-circuit	P
Reactive power (kVAR)	✓	Asymmetry among phases	P
ENGINE INDICATIONS		Incorrect phase sequence	P
Coolant temperature	✓	Reverse power	P
Oil pressure	✓	Overload	P
Fuel level	✓	COUNTER INDICATIONS	
Battery voltage	✓	Total hour counter	✓
Revolution speed	✓	Partial hour counter	✓
Battery charge alternator voltage	✓	Kilowatt meter	✓
Unexpected shutdown	✓	Start valid counters	✓
Stop failure	✓	Start failure counters	✓
Low battery voltage	✓	Maintenance	✓
Start failure	✓	FEATURES	
Emergency Stop	✓	Alarm history	UP to 100
ENGINE PROTECTIONS		External start	✓
High coolant temperature	P	Start inhibition	✓
Coolant temperature by sensor	Pro	Pre-heating engine control	✓
Low coolant level	P	Gen-set contactor activation	✓
Low oil pressure	P	Fuel transfer control	x
Low fuel level	A	Manual override	x
Fuel level by sensor	Pro	Programmable alarms	✓
Battery charge alternator failure	A	Genset start function in test mode	x
Overspeed	P	Programmable outputs	✓
Underspeed	P	Multilingual	✓

✓:Standard x:Not included A:Warning, alarm without engine stop. P:Alarm with engine stop. SI:Separate indicator Pro:Programmable

Note: All the protection are programmable to carry out "warning" or "engine stop with or without cooling"

M7Y controller allows easy control, monitoring and protection.



Note : All data subject to alteration without notice.

YANMAR CO.,LTD.

1-1, 2-choume, Yaesu, Chuo-ku, Tokyo, 104-8486, Japan
Telephone:+81-3-3275-4914 Fax:+81-3-3278-1977
global.yanmar.com

Distributed by

YL4000M

384,000 Lumens / 5.1-6.0kVA



Bright at Night with YANMAR YL4000M

Introducing all new YANMAR Lighting Tower

- ✓ Fuel Thrifty
- ✓ Durability
- ✓ Easy Maintenance
- ✓ User friendliness

Powered by YANMAR TNM

The TNM series adds a whole range of “goodies” that make this engine a mechanical “Work of art”



Lamp holder



9m Telescopic mast

Mast-lift up lever

Emergency stop button

Door hook

Easy access maintenance door

Mast holder

Controller

Fork lift pockets

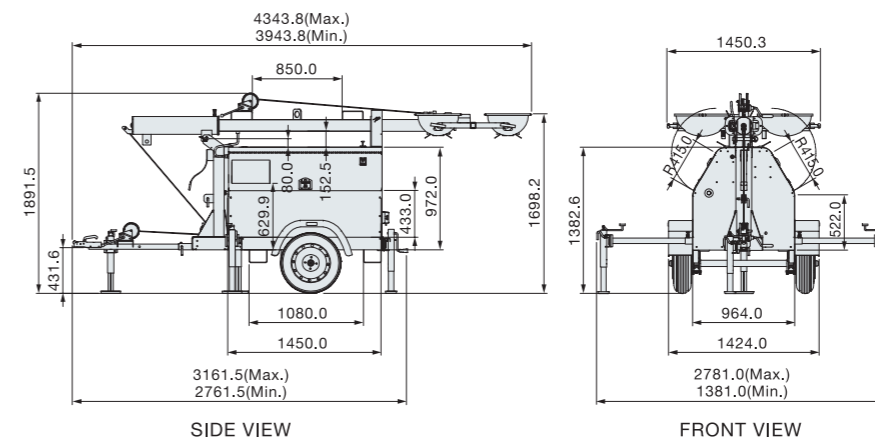
Transport kit
Mast-standup lever

Stabilizers

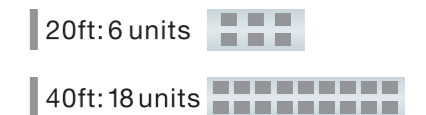
SPECIFICATION

Model		YL4000M-5B	YL4000M-6CS	
Unit	Power	kVA / kW	5.1 / 5.1	6.0 / 6.0
	Auxiliary power output (Lights off)	kVA / kW	5.1 / 5.1	6.0 / 6.0
	Frequency	Hz	50	60
	Voltage	V	230	240
	Maximum dimensions (Working mode)	mm	L:2762 × W:2781 × H:9068	
	Maximum dimensions (Transport mode)	mm	L:4344 × W:1450 × H:1890	
	Dry mass	kg	834	
	Fuel		Diesel	
	Fuel tank capacity	Lit	114	
	Maximum run time	hrs.	70	65
Noise level at 7m (100% load)	dB (A)	74	76	
	LWA dB	99	101	
Engine	Model	3TNM72-GHFCL		
	No. of cylinders	3		
	Aspiration	Natural		
	Rated speed	min ⁻¹	1500	1800
	Cooling system	Radiator cooling		
	Fuel consumption (100% load)	Lit / hr	1.63	1.75
	Speed governor	Mechanical		
	Alternator	Model	LT3-130/4	LT3-100/4
No. of poles / phase		4 / Single phase (4-wire)		
Type		Brushless		
Voltage regulator		Capacitor		
Power factor		1.0		
Insulation		Class H		
Coupling		SAE 5-6, 5"		
Lighting mast		Lift up type	Manual	
	Maximum height	9m (3- Mast sections)		
	Rotation	Degrees	360°	
	No. of lamps	4 × 1,000W		
	Type of lamp	Metal halide		
	Total lumens	lm	4 × 96,000 = 384,000	
	Lighting area	m ²	4 × 8,000 = 32,000	
Others	No. of auxiliary socket (Standard supply)	2 × 16A	2 × 13A	
	No. of stabilizers	4		
	Controller model	YANMAR M7Y (Digital controller)		
	Fork-lift pockets	Standard supply		
	Tires	2 × 165R 13		

DIMENSIONS



CONTAINER LOADING



MAXIMUM HEIGHT

