



Rotary

Poly Plow

Disk Plow

Front Blade



YANMAR

TRACTOR

YM358R

Specifications

Model		YM358R		
Engine	Maker	YANMAR		
	Model	4TNV98S		
	Type	4 Cylinders, Direct Injection, Vertical, Water-Cooled, Diesel		
	Number of Cylinders	4		
	Bore and Stroke	98 x 110		
	Total Displacement	3,319		
	Gross Power	PS /HP (kW)	57.6/56.9 (42.4)	
	Fuel Tank	50		
Dimensions	Overall Length	mm	3380	
	Overall Width	mm	1670	
	Overall Height	mm	2480	
	Wheel Base	mm	1970	
	Min. Ground Clearance	mm	425	
	Tread	Front	mm	1264(1416)
	Rear	mm	1225(1338/1406/1520)	
Weight		kg	1850	
Traveling System	Tire	Front	inch	8-18
		Rear	inch	13.6-28H
	Clutch	Dry, Single		
	Brake	Mechanical, Wet disk		
	Steering	Hydrostatic power		
	Main shift	Fully synchronized (4stage)		
	Reverser	Synchronized reverser		
	Number of shift	8 forward and 8 reverse		
	Travel speed	Forward	km / hr	2.7-30.8
		Reverse	km / hr	2.7-30.8
Hydraulic Unit	Hydraulic Control System		Position Control	
	3-Point Hitch *only hole size		Category I	
	Max. Lift Force	at lower link end	kN (kgf)	14.2 (1450)
	24 inch behind	kN (kgf)	12.2 (1250)	
Power Take off (PTO)	Type		Independent	
	Shaft Size		SAE 1 - 3 / 8, 6-Splines	
	Gear 1	PTO speed / engine rpm	540 / 2096	
	Gear 2	PTO speed / engine rpm	750 / 2092	

Note: All technical data, measurement and weight are approximate, and the manufacturer has the right to make alteration without prior notice.

Dealer options



Front weight (1A8253-10300)
Front bracket (1A8253-10200)
 Mount up to five 30kg weights for added stability.

Rear wheel weights (Including left and right sides)
Base weights 40kgx2 (1A8263-91210)
Additional weights 40kgx4 (1A8296-91220)
Base & Additional weights 40kgx2 & 40kgx4 (1A8263-91200)

Weights can be attached to the rear wheels on one side up to 120kg(total 240kg) to increase traction.

Rear working light (1A8253-54100)
 Light up at the night with this rear-mounted lamp.

LED LAMP kit (1A8273-54910)
 LED lamp can be mounted on the ROPS and can illuminate the front, back, left or right, whichever direction you prefer.



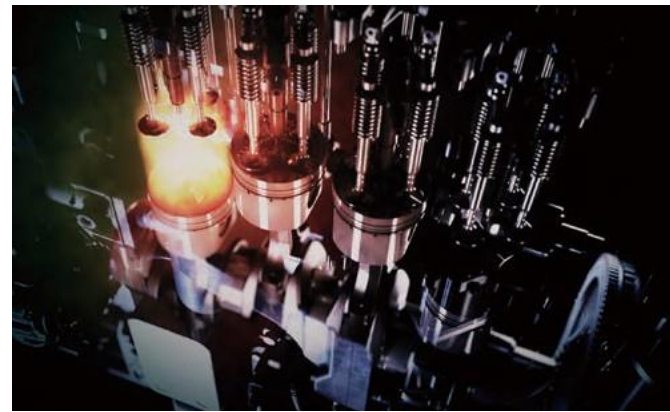
SMARTASSIST

Better Work Performance in paddy and dry field farming



Big Bore, Long Stroke Engine

Experience the superior power and reliability of the YM358R's 3.3 liter long stroke engine. Maximum torque has been increased, and the engine works harder than ever at low engine speeds.



The Big Tires (High Lug)

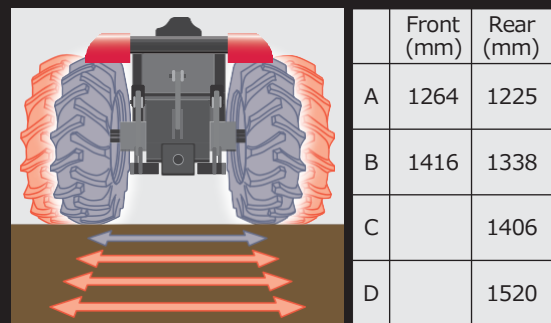
Large-diameter high-lug tires provide high driving performance in field operations.

Tire Size (Rear) 13.6-28



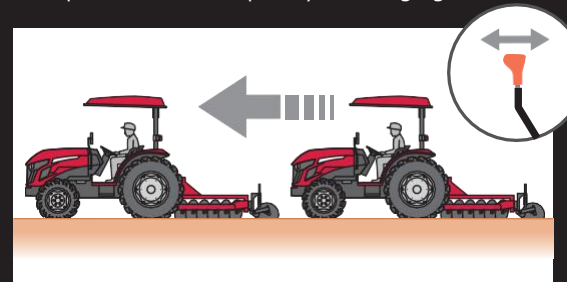
4 Settings of Tread

Tire tread can be changed on both the front and rear wheels. Rear tread can change to four pattern widths.



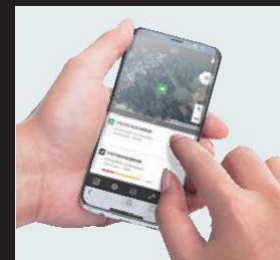
Fully Synchronized Transmission

The YM3 tractor uses a fully synchronized transmission for smooth gear shifting and forward and backward switching as well as excellent durability. This transmission allows you to drive on the street more comfortably since you do not have to stop the tractor completely to change gears.



SMARTASSIST Remote

GPS and other sensors let you know exact location and operation of the tractor on your smartphone and PC. This feature can help you reduce machine downtime and costs.



SMARTASSIST

Canopy

The mounting angles of the ROPS and canopy have been revised to improve the light-shielding range.



ROPS

The Foldable ROPS make it easier to work and store in places where height is restricted.

