



YANMAR

SV39-7

MINI-EXCAVATOR



Operating weight

3 670 kg (canopy) / 3 790 kg (cabin)

Engine gross power

18,9 kW ar 2 200 rpm

Digging force - Arm (short/long)

20,8 kN / 18,9 kN

Digging force - Bucket

32,8 kN

COMPACT POWER. UNSHAKABLE STABILITY.





SV39-7 LIFT MORE - DO MORE

The SV39 Mini-Excavator impresses with its extraordinary lifting capacity, engineered for veritable performance across a wide range of tasks. Its robust design supports virtually unlimited applications, making it a powerhouse on any job site. With compatibility for an extensive selection of attachments, the SV39 delivers exceptional versatility and efficiency, ensuring it meets the demands of construction, landscaping, and utility work with ease.



OPERATOR COMFORT

The SV39-7 is designed with operator comfort and control in mind. Its precisely positioned control levers ensure exceptional handling accuracy, while newly integrated travel pedals offer intuitive and responsive maneuvering. Enhanced visibility is achieved through an expanded glass surface, a rear-view camera, and a vibrant 4.3-inch color display—delivering a safer, more efficient operating experience.



PRECISION MEETS POWER

The SV39-7 is built for efficient, high-performance operation, powered by Yanmar's renowned VIPPS hydraulic system. This advanced system ensures smooth, simultaneous movements with exceptional precision and power—hallmarks of Yanmar engineering. Hydraulic quick hitch supply lines further enhance versatility, enabling fast and easy attachment changes. A floating blade supports accurate leveling work, while standard Auto Deceleration and Eco Mode contribute to significant fuel savings and reduced carbon emissions throughout the machine's lifecycle.



ENHANCED SAFETY FEATURES

SV39-7 prioritizes operator safety and visibility with a comprehensive suite of protective features. Certified to ROPS and FOPS Level 1 standards, it includes reinforced protection for the boom, blade, and arm cylinders to withstand tough job site conditions. Advanced LED lighting ensures optimal performance in low-light environments, while expansive glass surfaces and a rear-view camera provide outstanding all-around visibility. A 4.3-inch color display keeps operators informed with real-time machine status. Additional safety enhancements include a high-visibility orange seatbelt, an optional seatbelt sensor, a green beacon, and a front polycarbonate shield for added protection.



EASE OF MAINTENANCE

Easily removable side panels and cabin floor allow straightforward access to hydraulic components. Wide opening access doors allow fast daily checks and servicing, with further efficiency gains supported by Smart Assist Remote control as option.



WIDER RANGE OF ATTACHMENTS ENORMOUS RESULTS

The SV39-7 delivers big-machine performance in a compact footprint—offering more power, more versatility, and more value by reducing total cost. Its faster workgroup movements under load, increased dumping height, and extended boom swing amplitude allow users to complete demanding tasks with greater speed and efficiency. Designed to support a wider range of attachments, the SV39-7 adapts easily to various job site needs—from digging and grading to lifting and trenching. The floating blade adds precision for fine leveling work, reducing the need for rework. For operators, this means **faster job completion, reduced fuel consumption, and lower operating costs—without compromising on performance.**

INNOVATIVE TECH FOR SUPERIOR PERFORMANCE



SUPERIOR ATTACHMENT USABILITY

Simultaneous operation of the first auxiliary circuit and the arm allows for efficient use of attachments, broadening the machine's functionality and performance. An auxiliary circuit priority section has been added to the main control valve, upstream of AUX1 line, supporting attachments that are characterized by a continuous load request. An optional independent hydraulic line (deviation from AUX1 and routed on the digging arm) is available to operate a tilting function on a quick hitch, leaving AUX1 & AUX2 lines available for work tool hoses connection.

This feature makes the SV39-7 compatible with a wide range of hydraulic tools, here especially enabling Powertil in a much wider range of applications.

OPTIMIZED ENGINE EFFICIENCY

The SV39-7 is powered by Yanmar's 3TNV88-ESBV2 engine, delivering 18,9 kW at 2 200 rpm. This advanced engine combines fuel efficiency and low emissions, reflecting Yanmar's commitment to environmental sustainability. Key features include an ECU that optimizes RPM based on torque for fuel savings, an Auto-Deceleration system that reduces engine speed when hydraulic system idle for 4 seconds, and an Eco-Mode that lowers engine speed by 300 rpm to further enhance fuel efficiency.

VIPPS HYDRAULIC SYSTEM

The SV39-7 is equipped with the ViPPS (ViO Progressive 3 Pumps System) hydraulic system, featuring three hydraulic pumps: two variable displacement pumps and one gear pump. This setup provides a total maximum flow of 102.5 l/min with max. pressure of 221 bar. The ViPPS system integrates these pumps via a control valve to ensure smooth, simultaneous operation of all functions, even while traveling, for optimal speed, power, and balance.

AUGMENTED CYCLE TIME

With a travel speed of 4.5 km/h, the SV39-7 minimizes travel time and enhances efficiency during earthmoving tasks, including faster maneuvering on slopes. The digging cycle has been optimized with a 7% increase in workgroup speed under load, accelerating overall productivity. The standard floating blade ensures precise and efficient leveling on-site. Thanks to its higher lifting capacity and compatibility with a broader range of attachments the SV39-7 offers a new level of versatility—making it adaptable to a wider variety of tasks and job site demands.



STREAMLINED AND SMART: THE IDEAL JOBSITE SOLUTION



MORE SAFETY

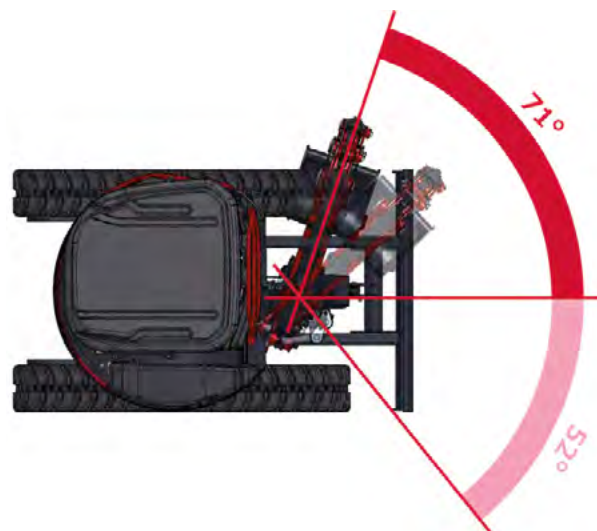
The SV39-7 is designed with operator safety and situational awareness at its core. Its expansive glass surface offers outstanding all-around visibility, giving operators a clear view of their surroundings for safer, more confident operation. A rear-view camera further enhances awareness, helping to prevent accidents and improve efficiency on busy job sites.

EXCELLENT TRANSPORTABILITY

Transporting the SV39-7 is effortless thanks to its compact overall length of only 4600/4650 mm (short arm/long arm) and the inclusion of six tiedown points. With a transport weight of 3790 kg (cabin)/3670 kg (canopy), these features ensure secure and convenient transportation, making the SV39-7 easy to move between jobsites.

VERSATILITY WHERE IT COUNTS: WORKING RANGE AND BOOM SWING

The SV39-7 is engineered to maximize flexibility and control, offering an exceptional working range that empowers operators to take on complex tasks with confidence. With a boom swing of 71° to the left and 52° to the right, the machine enables precise positioning and efficient operation in confined or irregular spaces. Enhanced swing usability on slopes and increased backfill power further boost performance, allowing for smoother, more productive and comfortable earthmoving.



ULTIMATE OPERATOR COMFORT



ROOMY COMFORT CABIN

The SV39-7 mini excavator is designed with the operator at its core to ensure unmatched ease and productivity. The roomy cabin provides exceptional visibility, increased legroom and an ergonomic layout, ensuring that operating controls and switches are within easy reach, enhancing both convenience and safety for the operator.

INNOVATIVE CONTROL FEATURES

The SV39-7 features a brand new 4.3-inch color display, including auxiliary circuits settings for up to five attachments, providing easy and intuitive control. The handy joystick and button area, which includes a high-speed travel switch on the blade lever, are designed for ease of use and enhanced operational efficiency. More ergonomic travel pedals further improve the ease of maneuvering the machine.

ADVANCED CLIMATE CONTROL

To maintain a pleasant working environment in all weather conditions, the SV39-7 can be equipped with an optional air conditioning system. Strategically placed vents ensure a consistent temperature throughout the cabin and provide efficient window demisting, ensuring clear visibility and a comfortable atmosphere.

PREMIUM SEATING FOR OPERATOR COMFORT

The SV39-7 features a fully adjustable air suspension seat with a headrest, designed to reduce fatigue and body strain. Offering exceptional comfort and support for its class, it helps operators stay productive during long working hours.

SAFETY

STRONG CABIN PROTECTION

The SV39-7 cabin is engineered with safety in mind, meeting ROPS (Roll-Over Protective Structure) certification and FOPS (Falling Object Protective Structure) Level 1 standards. This ensures that the operator is well-protected in various operating conditions, enhancing safety on the job site.

ALL-AROUND BOOM AND ARM PROTECTION

The SV39-7 offers exceptional protection for its blade, boom and arm cylinders. Each cylinder tube and rod is safeguarded by a durable spring-type steel plate, significantly reducing maintenance costs and extending the lifespan of the machine.

ADVANCED LED LIGHTING

To ensure safe and accurate operation in low-light environments, the SV39-7 is equipped with integrated LED lighting as a standard feature. Positioned within the boom, the LED light provides targeted illumination, significantly improving visibility for tasks performed at night or in poorly lit areas.

UPGRADED DIGITAL INTERFACE

The SV39-7 is equipped with a 4.3-inch color display that delivers crisp, real-time updates on machine performance. Its modern digital interface offers optional passcode protection for enhanced engine security and presents clear, user-friendly error messages in straightforward language.

SUPERIOR VISIBILITY

The SV39-7 is designed with large glass areas to maximize visibility of the blade, boom, and arm. Additionally, the rear-view camera, which comes standard (cabin version), provides enhanced rear visibility, further ensuring safe operation in all directions.

SAFETY ENHANCEMENTS

For enhanced safety, the SV39-7 comes standard with a high-visibility orange seatbelt. Optional features include a seatbelt sensor and a green beacon to improve operator awareness and visibility on the job site. Additionally, a front polycarbonate shield can be added to the canopy, offering extra protection against flying debris.



EASY MAINTENANCE ACCESS

The 4.3-inch color display provides key maintenance information, such as fuel level, coolant temperature, and hydraulic oil temperature, while also aiding maintenance scheduling and diagnostics with clear error messages and icons.

The machine is designed for effortless maintenance. The engine bonnet and right-hand side cover open easily, providing wide access to essential components like the air filter, compressor, radiator, battery, and fuel tank. Removable side panels and cabin floor offer convenient access to hydraulic parts. A flat floor mat simplifies cleaning.



EQUIPMENT

[STANDARD EQUIPMENT]

PERFORMANCE

Engine 3TNV88-ESBV2 Yanmar diesel | Direct injection | Engine Control Unit (ECU) | Eco-Mode | Auto-Deceleration System | VIPPS Hydraulic system (ViO Progressive 3 Pump System) | AUX1 hydraulic line with proportional control and extension to arm end | Auto kickdown travel motors | 1 LED work light integrated under the boom | Long arm (1620 mm) | Floating blade.

COMFORT & EASE OF USE

4.3 inch. color LCD interface | Up to 5 work tool hydraulic flow presettings | Adjustable and reclining seat with fabric or vinyl cover, pneumatic suspension and headrest | Adjustable wrist support | Foot rests | Wide travel pedals | Windshield with 2 fully retractable parts | Sliding double right-side window | Transparent front roof window | Wiper | Windshield washer | Automatic ceiling lamp | Storage space in right console | Plastic & sealable document storage box | Coat hanger.

SAFETY AND DURABILITY

ROPS & FOPS on cabin and canopy | Handrails | Safety lever | Orange seatbelt with retractor | Rear view camera on cabin version | 3 safety valves (arm, boom & blade) + overload warning | Evacuation hammer | 4 tie down points on track frames | 3 mirrors | Horn | Blade cylinder supply hose into two parts | Quick connector on battery terminal | Hoses protected by abrasion resistant sleeves | Lockable covers.

MISCELLANEOUS

External hydraulic oil & fuel gauges | Toolkit | Grease gun | External hydraulic oil gauge.

[OPTIONAL EQUIPMENT]

EQUIPMENT AND PERFORMANCE

Engine programmable auto shutdown | Fuel/water separator sensor with warning in operator space | Steel crawlers | Rubber pads for steel crawlers | Independant tilt function hydraulic supply line (deviation from AUX1) | Drain line | Short arm (1370 mm) | AUX1 & AUX2 hydraulic lines with proportional control and extension to arm end | Clamshell bucket circuit | Hydraulic quick hitch supply line (150 bar) | Quick connectors | Additional counterweight (+160 kg) - 85 mm rear overhang | Bio oil | 2 front LED working lights (cabin and canopy) | 1 rear LED work light + 1 plugable LED flashing beacon (cabin and canopy) | 1 plugable LED flashing beacon (cabin and canopy) | Beacon light with magnetic base.

COMFORT & EASE OF USE

Air conditioning | Yanmar seat cover | Radio | Central greasing | Grease gun support bracket (cabin & canopy).

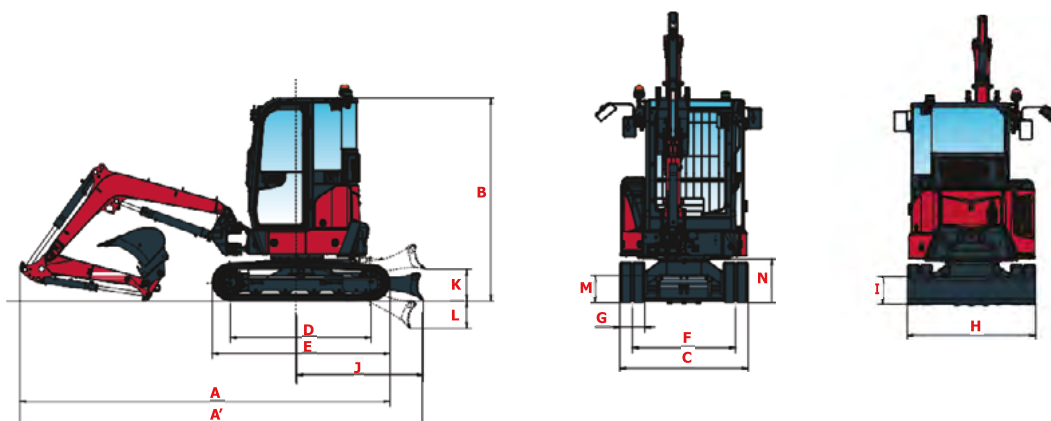
SAFETY AND DURABILITY

Seatbelt sensor with operator warning with or without green beacon | FOPS front protection (cabin and canopy) | Removable battery cut-off switch | Yanmar anti-theft solutions : engine start pin code in LCD panel or coded engine start key | Various other anti-theft solutions | SA-R3 telematics solution | Travel alarm (beep or white noise).

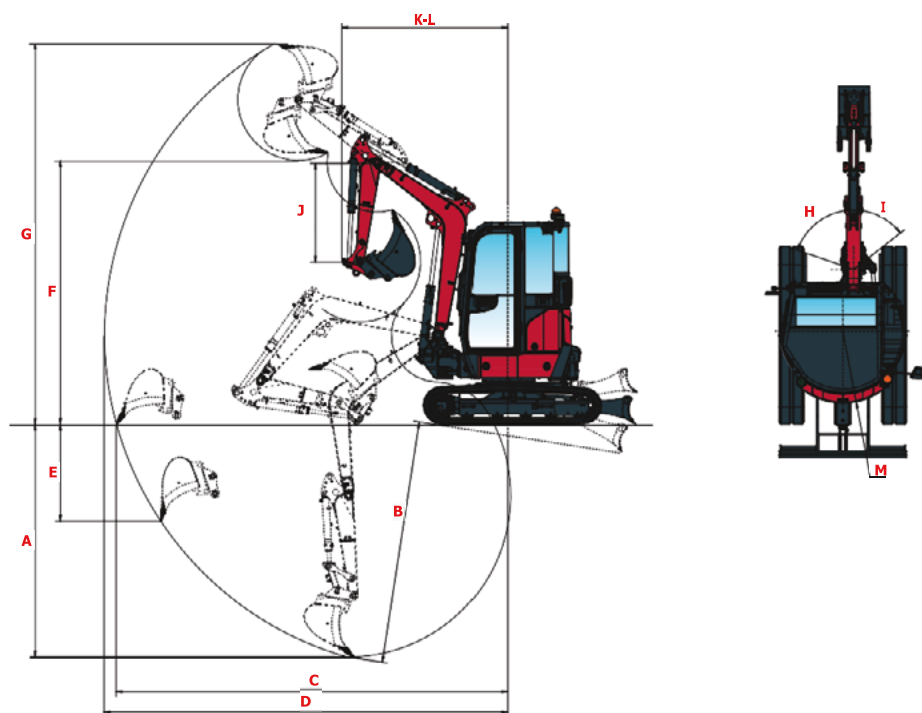
[ATTACHMENTS]

Yanmar gives you the attachment that fit your needs and match the safety standards in force in your country: mechanical quick coupler, hydraulic quick coupler, ditching bucket, swinging bucket, backhoe bucket, hydraulic breaker...

DIMENSIONS



A Overall length	4600 / 4650 mm*	G Track width	300 mm
A' Overall length with blade at the back	5155 / 5205 mm*	H Overall blade width	1740 mm
B Overall height	2460 mm*	I Overall blade height	385 mm
C Overall width	1740 mm	J Blade distance	1685 mm
D Length of track on ground	1710 mm	K Max. lifting height above the ground	435 mm
E Undercarriage length	2160 mm	L Max. lowering depth from the ground	370 mm
F Lane	1440 mm	M Minimum ground clearance	325 mm
		N Minimum ground clearance under upper frame	545 mm



A Max. digging depth - Blade lifted	3125 / 3375* mm	H Boom swinging base to left	71°
B Max. digging depth - Blade lowered	3270 / 3520* mm	I Boom swinging base to right	52°
C Max. digging reach on ground	4995 / 5240* mm	J Arm length	1370 / 1620* mm
D Max. digging reach	5130 / 5370* mm	K Front turning radius	1830 / 1900* mm
E Max. vertical wall	1360 / 1580* mm	L Front turning radius with boom swing	1085 / 1110* mm
F Max. unloading height	3600 / 3775* mm	M Rear turning radius	1040 mm
G Max. cutting height	5025 / 5215* mm	M' Rear turning radius with additional counterweight	1120 mm

*with Long arm

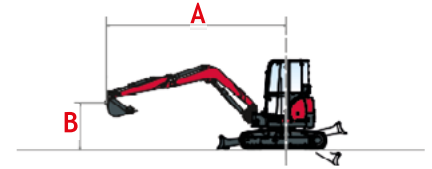
LIFTING CAPACITY



Tipping load, rating over front



Tipping load, rating over side 90°



Short arm, standard counterweight

Cabin							Canopy															
A B	Max =H C	Blade on ground/Blade above ground																				
		4 m		3,5 m		3 m		2,5 m		2 m		Max		4 m		3,5 m		3 m		2,5 m		2 m
3 m	650/650 795/795	-	-	780/780 780/780	770/770 770/770	-	-	-	-	615/615 795/665	-	-	780/780 780/780	770/770 770/770	-	-	-	-	-	-	-	-
2 m	550/550 815/595	590/590 825/645	720/720 875/875	960/960 960/960	1105/1105 1105/1105	1390/1390 1390/1390	520/520 815/560	560/560 825/605	685/685 875/745	960/960 960/960	1105/1105 1105/1105	1390/1390 1390/1390	520/520 815/560	560/560 825/605	685/685 875/745	960/960 960/960	1105/1105 1105/1105	1390/1390 1390/1390	520/520 815/560	560/560 825/605	685/685 875/745	960/960 960/960
1 m	520/520 850/565	575/575 905/630	695/695 1030/760	865/865 1230/955	1120/1120 1585/1260	-	-	490/490 850/530	545/545 905/590	655/655 1030/715	815/815 1230/900	1060/1060 1585/1185	-	-	-	-	-	-	-	-		
0 m	530/530 880/575	565/565 945/615	675/675 1120/740	835/835 1365/925	1085/1085 1755/1220	1540/1540 2395/1785	500/500 880/540	535/535 945/580	640/640 1120/695	790/790 1365/870	1025/1025 1755/1150	1455/1455 2395/1675	-	-	-	-	-	-	-	-		
-1 m	630/630 935/685	-	-	675/675 1025/740	830/830 1275/920	1085/1085 1600/1220	1550/1550 2080/2080	590/590 935/645	-	-	635/635 1025/695	785/785 1275/865	1025/1025 1600/1145	1465/1465 2080/1690	-	-	-	-	-	-		
-2 m	925/925 925/925	-	-	-	-	1045/1045 1045/1045	1350/1350 1350/1350	925/925 925/925	-	-	-	-	1045/1045 1045/1045	1350/1350 1350/1350	-	-	-	-	-	-		

Short arm, additional counterweight

Cabin							Canopy															
A B	Max =H C	Blade on ground/Blade above ground																				
		4 m		3,5 m		3 m		2,5 m		2 m		Max		4 m		3,5 m		3 m		2,5 m		2 m
3 m	795/795 795/795	-	-	780/780 780/780	770/770 780/780	-	-	-	-	685/685 795/795	-	-	780/780 780/780	770/770 770/770	-	-	-	-	-	-		
2 m	615/615 815/670	660/660 825/825	875/875 875/875	960/960 -	1105/1105 1105/1105	1390/1390 1390/1390	585/585 815/635	630/630 825/685	875/875 875/875	960/960 960/960	1105/1105 1105/1105	1390/1390 1390/1390	585/585 815/635	630/630 825/685	875/875 875/875	960/960 960/960	1105/1105 1105/1105	1390/1390 1390/1390	585/585 815/635	630/630 825/685	875/875 875/875	960/960 960/960
1 m	585/585 850/635	645/645 905/705	775/775 1030/850	965/965 770/770	1250/1250 1585/1585	-	-	555/555 850/600	615/615 905/665	740/740 1030/810	915/915 915/915	1190/1190 1585/1335	-	-	-	-	-	-	-	-		
0 m	595/595 880/650	635/635 945/690	760/760 1120/835	935/935 960/960	1215/1215 1755/1365	1720/1720 2395/1995	565/565 880/615	600/600 945/655	720/720 1120/790	890/890 890/890	1155/1155 1755/1295	1635/1635 2395/1890	-	-	-	-	-	-	-	-		
-1 m	705/705 935/770	-	-	755/755 1025/830	930/930 1230/1230	1215/1215 1600/1365	1735/1735 2080/2080	670/670 935/730	-	-	720/720 1025/785	885/885 885/885	1155/1155 1600/1295	1645/1645 2080/2080	-	-	-	-	-	-		
-2 m	925/925 925/925	-	-	-	-	1365/1035 1045/1045 1045/1045	1350/1350 1350/1350	925/925 925/925	-	-	-	-	1045/1045 1045/1045	1350/1350 1350/1350	-	-	-	-	-	-		

Long arm, standard counterweight

Cabin							Canopy														
A B	Max =H C	Blade on ground/Blade above ground																			
		4 m		3,5 m		3 m		2,5 m		2 m		Max		4 m		3,5 m		3 m		2,5 m	
3 m	575/575 730/625	600/600 720/720	695/695 695/695	-	695/695	-	-	-	-	545/545 730/590	570/570 720/615	695/695 695/695	-	-	-	-	-	-	-	-	
2 m	495/495 745/535	590/590 765/645	800/800 800/800	860/860 -	955/955 955/955	-	-	465/465 745/505	560/560 765/605	685/685 800/800	860/860 860/860	955/955 955/955	-	-	-	-	-	-	-	-	
1 m	470/470 775/510	570/570 865/625	690/690 975/760	865/865 -	1125/1125 1470/1470	-	-	440/440 775/475	540/540 865/585	655/655 975/715	815/815 815/815	1065/1065 1470/1195	-	-	-	-	-	-	-	-	
0 m	490/490 825/535	555/555 930/610	670/670 1095/735	825/825 860/860	1075/1075 1730/1210	-	-	460/460 825/500	525/525 930/570	630/630 1095/690	780/780 780/780	1015/1015 1730/1140	-	-	-	-	-	-	-	-	
-1 m	555/555 860/605	555/555 860/605	660/660 1065/725	820/820 1150/955	1065/1065 1655/1200	1525/1525 2200/1770	525/525 860/570	525/525 860/570	625/625 1065/680	770/770 770/770	1005/1005 1655/1130	1440/1440 2200/1660	-	-	-	-	-	-	-	-	
-2 m	895/895 895/895	-	-	-	950/950 1335/915	1235/1235 1235/1235	1600/1600 1600/1600	755/755 895/895	-	-	-	-	790/790 790/790	1030/1030 1235/1235	1600/1600 1600/1600	-	-	-	-	-	-

Long arm, additional counterweight

Cabin							Canopy														
A B	Max =H C	Blade on ground/Blade above ground																			
		4 m		3,5 m		3 m		2,5 m		2 m		Max		4 m		3,5 m		3 m		2,5 m	
3 m	730/730 730/730	720/720 720/720	695/695 695/695	-	695/695	-	-	610/610 730/730	720/720 720/720	695/695 695/695	-	-	-	-	-	-	-	-	-	-	
2 m	555/555 745/600	765/765 765/765	800/800 800/800	860/860 -	955/955 955/955	-	-	525/525 745/570	630/630 765/765	800/800 800/800	860/860 860/860	955/955 955/955	-	-	-	-	-	-	-	-	
1 m	525/525 775/570	640/640 865/700	775/775 975/975	965/965 -	1255/1255 1470/1470	-	-	500/500 775/540	610/610 865/665	735/735 975/805	915/915 915/915	1195/1195 1470/1470	-	-	-	-	-	-	-	-	
0 m	550/550 825/600	625/625 930/685	750/750 1095/825	925/925 860/860	1205/1205 1730/1360	-	-	525/525 825/565	595/595 930/645	710/710 1095/780	880/880 880/880	1145/1145 1730/1285	-	-	-	-	-	-	-	-	
-1 m	625/625 860/685	625/625 860/685	745/745 1065/820	920/920 1170/1150	1195/1195 1655/1350	1710/1710 2200/2200	590/590 860/645	590/590 860/645	705/705 1065/775	870/870 870/870	1135/1135 1655/1275	1620/1620 2200/1875	-	-	-	-	-	-	-	-	
-2 m	895/895 895/895	-	-	-	950/950 1335/1030	1235/1235 1235/1235	1600/1600 1600/1600	895/895 895/895	-	-	-	-	950/950 950/950	1235/1235 1235/1235	1600/1600 1600/1600	-	-	-	-	-	-

[The data in this table represents the lifting capacity in accordance with ISO 10567. They do not include the weight of the bucket and correspond to 75% of the maximum static tipping load or 87% of the hydraulic lifting capacity. Data with * correspond to the hydraulic limits of the lifting force.]

TECHNICAL SPECIFICATIONS

[WEIGHT +/- 2% (EN-STANDARDS)]

	Transport weight*	Operating weight**	Ground pressure (operating weight)
Canopy version/Rubber crawlers	3 490 kg	3 670 kg	0,330 kgf/cm ²
Canopy version/Steel crawlers	3 580 kg	3 760 kg	0,340 kgf/cm ²
Cabin version/Rubber crawlers	3 610 kg	3 790 kg	0,340 kgf/cm ²
Cabin version/Steel crawlers	3 705 kg	3 885 kg	0,350 kgf/cm ²
With additional counterweight	160 kg		-


*Transport weight of the machine in standard configuration (canopy/cabin).

**Operating weight of the machine in standard configuration (canopy/cabin), with operator (75 kg), mechanical quick coupler (34 kg) and ditch-cleaning bucket (70 kg). All tanks and hydraulic circuits are completely filled.

[ENGINE]

Type	Yanmar Stage V 3TNV88-ESBV2
Fuel	Diesel
Net Power	18,5 kW/24,8 HP at 2 200 rpm
Gross Power	18,9 kW/25,3 HP at 2 200 rpm
Displacement	1,642 liters
Maximum Torque	85,5 – 94,5 N.m at 1 320 rpm
Cooling	Water-cooling
Starter	12 V - 1,7 kW
Battery	12 V – 55 Ah
Alternator	12 V – 55 A

[HYDRAULIC SYSTEM]

		AUX	Measured data at max. engine speed		 Oil flow decreases as the pressure increases
			Pressure	Oil flow	
Maximum pressure	221 bar				
1 double variable displacement piston pump	2 x 37,9 l/min	1	0 - 160 bar	65,2 - 42,7 l/min	
1 gear pump	26,7 l/min	2	0 - 170 bar	38,4 - 32,5 l/min	
1 gear pump for pilote line	10,04 l/min	Hammer	120 bar	55 l/min	

[PERFORMANCE]

Travel speed (Low/High)	2,6/4,5 km/h
Rotation speed	9,2 rpm
Digging force (short arm / long arm)	20,8 kN/18,9 kN
Digging force (bucket)	32,8 kN
Gradability	30°
Noise Level(2000/14/CE&2005/88/CE)	LwA: 93 dBA/LPA: 82 dBA

[UNDERCARRIAGE]

Number of top rollers	1
Number of bottom rollers	4
Track tensioning system	Grease adjuster

[CAPACITY]

Fuel tank	44 l
Coolant	4,2 l
Engine oil	6,7 l (max.)
Hydraulic circuit	53,9 l (including hydraulic tank)
Hydraulic tank	30,2 l

[MAINTENANCE FREQUENCY]

[Change engine oil and filter: 50 hours (1st) / 500 hours (2nd)] [Change fuel filter: 50 hours (1st) / 250 hours (2nd)] [Change hydraulic oil filter: 50 hours (1st) / 500 hours (2nd)] [Change hydraulic oil return filter: 50 hours (1st) / 500 hours (2nd)] [Change cooling fluid: 2000 hours]



YANMAR



Yanmar Compact Equipment EMEA

GB_SV39-7_0825



www.yanmar.com

BUILDING
WITH YOU

Printed in France - Materials and specifications are subject to change from the manufacturer without notice - Please contact your local Yanmar Compact Equipment EMEA dealer for further information. This digital leaflet is not intended for printing.