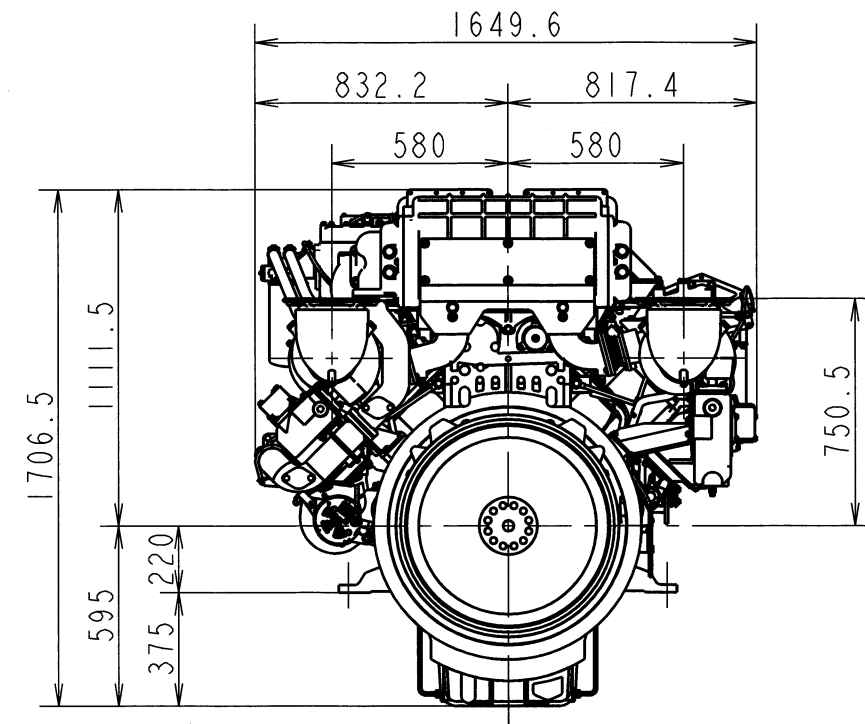
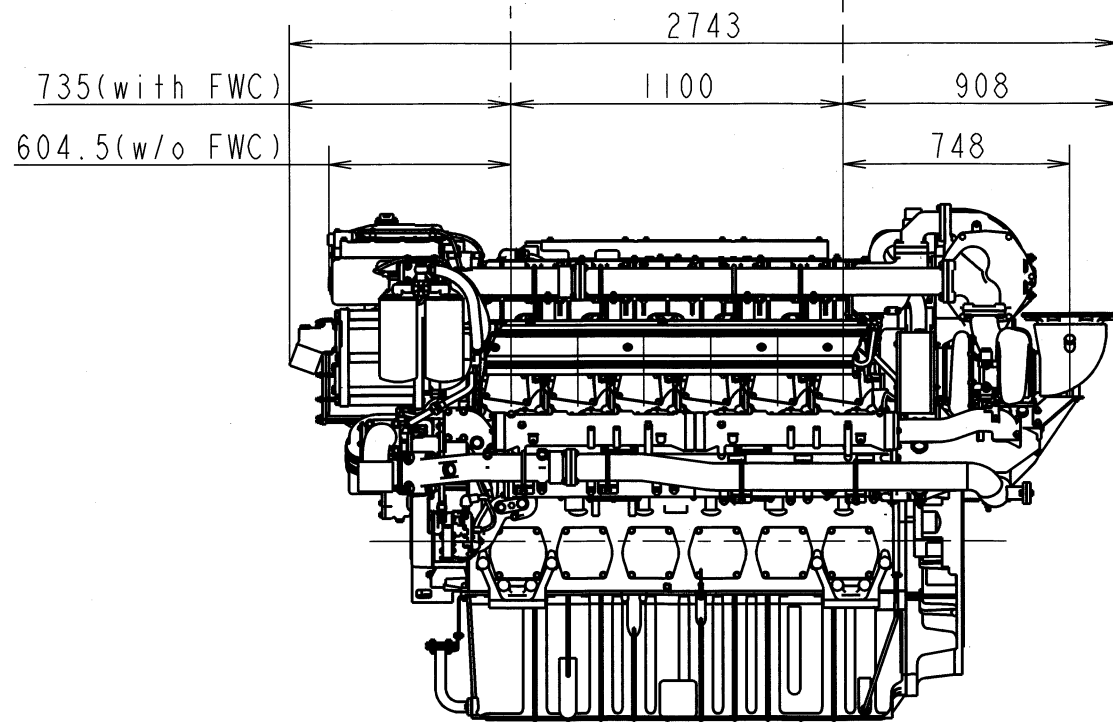


据付寸法図(上面より見る)
DETAIL OF INSTALLATION (VIEW FROM UPPER SIDE)

A列No. 6シリンダ中心
Line A No.6 CYL.CENTER

A列No. 1シリンダ中心
Line A No.1 CYL.CENTER



MANAGER
7. Takahata

SEC. MANAGER	CAREER	MODEL	12 AYE series	SCALE	SCALE OUT
<i>Mr. Kimoto</i>		QTY	—	MATERIAL	—
CHECKED	SPECIALIST	NAME	OUTLINE		
<i>Kobayashi</i>			カ"イケイ"ス		
DESIGNED	DRAWN	DATE: Y.M.D	YANMAR		
Y. HIRAO	ADACHI	2021-8-2	YANMAR POWER TECHNOLOGY CO., LTD.		
		CODE	B2-48963-0010		
		DRAW SIZE	A3		

3D-CAD

NOTICE

GEOMETRICAL TOLERANCE

KIND OF TOLERANCE

SYMBOL

STRAIGHTNESS TOLERANCE

CIRCULARITY TOLERANCE

PROFILE OF LINE TOLERANCE

FLATNESS TOLERANCE

CYLINDRICITY TOLERANCE

PROFILE TOLERANCE OF SURFACE

PARALLELISM TOLERANCE

PERPENDICULARITY TOLERANCE

ANGULARITY TOLERANCE

POSITIONAL TOLERANCE

COAXIALITY OR CONCENTRICITY TOLERANCE

SYMMETRY TOLERANCE

CIRCULAR RUN-OUT TOLERANCE

TOTAL RUN-OUT TOLERANCE