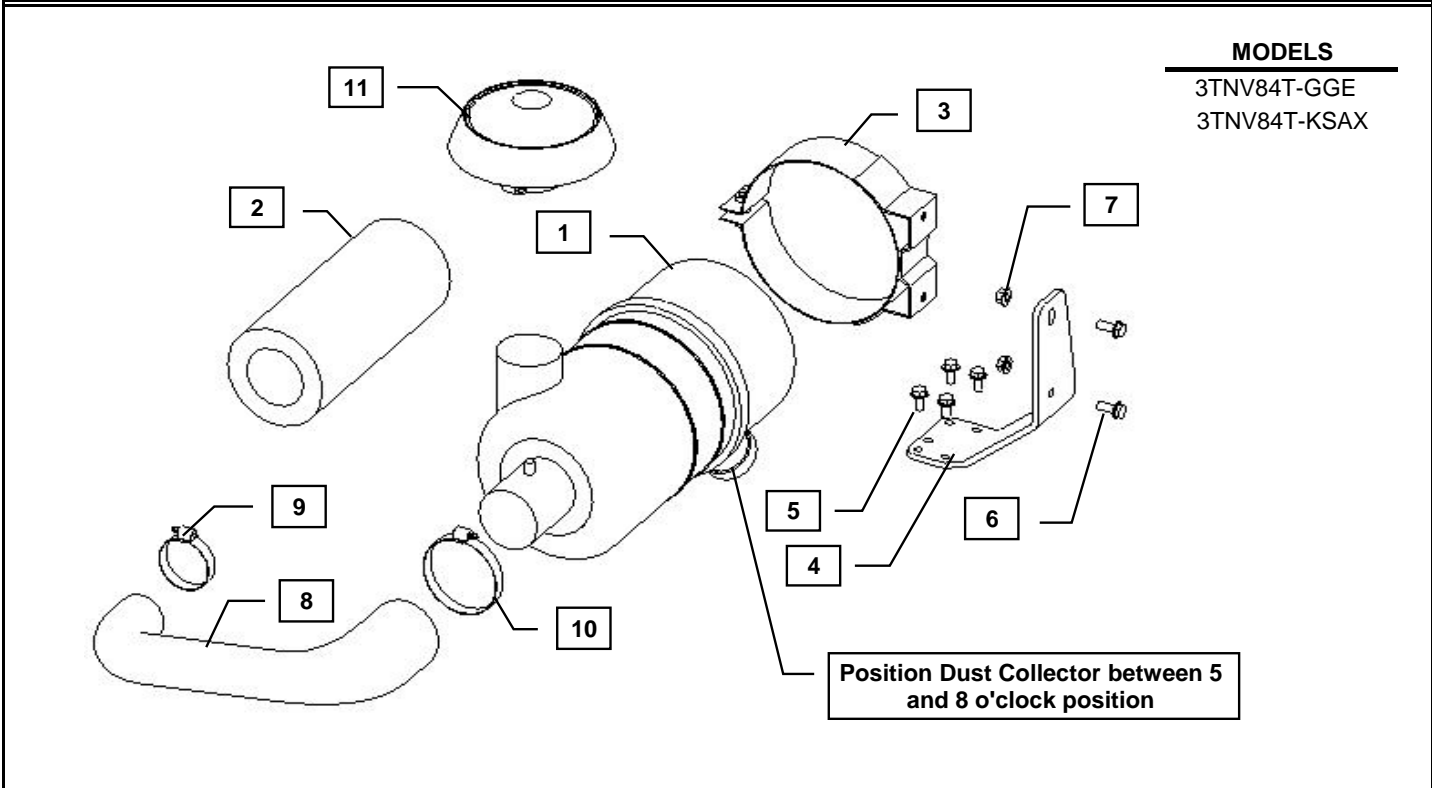


Kit Name: KAC3



YANMAR CO., LTD.
YANMAR AMERICA CORP.

Item	Lev.	O	Part No.	Description	Quantity	Remarks
1 to 11	-		729689-12110	Air Cleaner Kit	1	
1	--		129687-12500	Air Cleaner Assy	1	
2	---		129687-12510	Element, a/c	1	
3	--		129687-12570	Band, Air Cleaner	1	
4	--		129689-12560	Bracket	1	
5	--		26106-080162	Bolt, M8 X 1.25 - 16, (Flanged hex head)	4	
6	--		26106-080202	Bolt, M8 X 1.25 - 20, (Flanged hex head)	2	
7	--		26366-080002	Nut, M8 X 1.25, (Flange)	2	
8	--		129689-12250	Hose, Air Cleaner	1	
9	--		23000-054000	Clamp 54, Hose	1	
10	--		23000-080000	Clamp 80, Hose	1	
11	--		129687-12600	Rain Cap Assy	1	



Notes: Parts code is not assigned to non-servicable component parts.

Remarks: Kit includes Donaldson part number label.



Installation Instructions

Hand tighten all bolts and nuts until assembly is completed, then torque according to specifications in Table 1. The numbers in () represent the item numbers.

1. Fasten the Air Cleaner Band (3) onto the Air Cleaner Bracket (4) using M8 x 1.25-20 bolts (6) and M8 Flange Nuts (7).
2. Assemble Air Cleaner Band (3) and Bracket (4) assembly to the Intake Manifold with M8 x 1.25 - 16 bolts (5)
3. Open the Air Cleaner Band (3) by removing the bolt and spring fastener from the assembly. Remove the Air Cleaner cover and Element (2) from the Air Cleaner (1). This will allow the Air Cleaner (1) to slide into the Air Cleaner Band (3).
4. Insert the Air Cleaner (1) in the Band (3) and position in the recess provided on the Air Cleaner. Fasten it with the bolt and spring that came with the Band. Reinstall the Air Cleaner Cover and adjust the orientation so the dust collector is positioned downward, between the 5 and the 8 o'clock position.
5. Fasten the small end of the Air Cleaner Hose (8) to the Turbocharger Inlet using Band Clamp (9). Fasten the large diameter end of the hose to the Air Cleaner (1) using Band Clamp (10).
6. Fasten the Rain Cap (11) to the inlet of Air Cleaner (1) using the clamp that comes with the Rain Cap.
7. Install the included Air Cleaner Label on the Air Cleaner (1) or a piece of equipment in the area of the Air Cleaner. Be sure Label is visible and is not placed on the Cleaner Cover.

NOTE: Comply with torque standards in the table to avoid unexpected damage during installation or in the future.

Table 1: Tightening Torque

Diameter x Pitch	Kgf-m	Foot-lbf	N-m
M8 x 1.25	1.5 ~ 2.9	10.6 ~ 20.9	14.4 ~ 28.3